

Trim: Universal Applications

#011	Universal Ridge	
#021	Universal Ridge	
#031	Universal Ridge	
#051	Soffit Peak	
#111	Eave Facia	
#111L	Eave Facia (Long)	
#121	Eave Flashing	
#131	High Side Cap	
#131SS	High Side Cap SS	
#141	High Side Cap	
#411	4" Jamb Cover	
#401	6" Jamb Cover	
#441	8" Jamb Cover	
#481	9" Jamb Cover	
#451	10" Jamb Cover	
#491	12" Jamb Cover	
#421	8" Open Jamb Cap	
#461	9" Open Jamb Cap	
#431	10" Open Jamb Cap	
#471	Cover Angle	
#471A	Partition Cover Angle	
#501	SNS Insulation Wrap	
#511	Insulation Rail	
#521	Snow Guard	
#531	Snow Guard Cover Angle	
#611	Sidewall Height Change	
#611ST	Sidewall Height Change (Sealant Tip)	
#631	Valley Flashing	
#641	Sealant Flashing	
L2X5X18G	Eave Angle (High Side)	
DFB	Die-Formed Base	
DFBL	Die-Formed Base Long	
L3x3x16	3x3 Base Angle	
L2x4x16	Rake Angle	
#761	Full Hem Base Trim	
#771	Masonry Base Trim	
#791	Pour Stop	
#811	Eave Gutter	
#821-1	Gutter End Cap (1:12 roof slope)	
#821-2	Gutter End Cap (2:12 roof slope)	
#821-3	Gutter End Cap (3:12 roof slope)	
#821-4	Gutter End Cap (4:12 roof slope)	
#841	Eave Gutter-Retro Fit	
#841C-1	Retro Fit Eave Gutter End Cap (1:12 roof slope)	
#841C-2	Retro Fit Eave Gutter End Cap (2:12 roof slope)	
#841C-3	Retro Fit Eave Gutter End Cap (3:12 roof slope)	
#841C-4	Retro Fit Eave Gutter End Cap (4:12 roof slope)	
#841C-5	Retro Fit Eave Gutter End Cap (5:12 roof slope)	
#841C-90	Retro Fit Eave Gutter End Cap (90°)	
#851	Down Spout	

<u>#851N</u>	Down Spout	
<u>#861</u>	Gutter Strap	
<u>#871</u>	Down Spout Bracket	
<u>#881A</u>	Down Spout Elbow	
<u>#881D</u>	Down Spout Extension Joint	
<u>#901</u>	6" Purlin Closure	
<u>#931</u>	8" Purlin Closure	
<u>#911</u>	9" Purlin Closure	
<u>#941</u>	10" Purlin Closure	
<u>#921</u>	12" Purlin Closure	
<u>IH-B</u>	Insulation Hanger Base	
<u>IH-E</u>	Insulation Hanger Eave	
<u>IH-H</u>	Full Cavity H Trim	
<u>IH-R</u>	Insulation Hanger Rake	
<u>IH-Z</u>	Full Cavity Z Trim	

Trim: PBR Panel Applications

[Menu](#)

#212	Rake Facia	
#222	Gable Trim	
#312	Outside Corner	
#322	Inside Corner	
#332	Adapter Trim	
#412	Jamb Trim	
#512	Header Trim	
#522	Zee Trim	
#532	Panel Cap	
#542	L -Trim	
#552	L -Trim	
#622	Endwall Height Change	
#622ST	Endwall height Change (Sealant Tip)	
#762	Base Trim Full Hem	
#762L	Base Trim Full Hem (Long)	
#772	Base Trim (Masonry)	
#912	Endwall Soffit Trim	
#922HS	Sidewall Soffit Trim - High Side	
#922LS	Sidewall Soffit Trim - Low Side	
#962HS	Eave Gutter Spacer – High Side	
#962LS	Eave Gutter Spacer – Low Side	
Profile	PBR Panel Profile	

Trim: A-Panel Applications

[Menu](#)

#313	Outside Corner	
#323	Inside Corner	
#333	Adapter Trim	
#413	Jamb Trim (Option 2)	
#513	Header Trim	
#523	Zee Trim	
#533	Panel Cap/Sill Trim	
#543	Header Trim (Option 2)	
Profile	A-Panel Profile	

Trim: 5R9 Panel Applications

[Menu](#)

#041	Universal Ridge	
#125	Eave Flashing (Low Side)	
#135	Eave Flashing (High Side)	
#225	Gable Trim	
#315	Outside Corner	
#325	Inside Corner	
#335	Adapter Trim	
#415	Jamb Trim	
#515	Header Trim	
#525	Zee Trim	
#535	Panel Cap	
#615	Sidewall Height Change	
#615ST	Sidewall Height Change with Sealant Tip	
#625	Endwall Height Change	
#625ST	Endwall Height Change with Sealant Tip	
#635	Roof Transition Flashing	
#645	Roof Transition Flashing	
#755	Base Trim	
#765	Full Hem Base Trim	
#775	Base Trim (Masonry)	
#785	Fascia Trim	
#795	Base Trim	
#925HS	Sidewall Soffit Trim (High Side)	
#925LS	Sidewall Soffit Trim (Low Side)	
#955HS	8" Eave Gutter Spacer (High Side)	
#955LS	8" Eave Gutter Spacer (Low Side)	
#965HS	10" Eave Gutter Spacer (High Side)	
#965LS	10" Eave Gutter Spacer (Low Side)	
Panel	5R9 Panel Profile	

Trim: 6.8 Panel Applications

[Menu](#)

#218	Rake Facia	
#248	Rake Spacer	
#318	Outside Corner	
#318V	Outside Corner	
#328	Inside Corner	
#418	Header Trim	
#478	Rake Cover	
#518	Cee Closure	
#528	Zee Trim	
#538	Panel Cap	
#558	Panel Termination	
#628	Endwall Height Change	
#628ST	Endwall Height Change with Sealant Tip	
#768	Horizontal 6.8 Base Trim	
#778	Base Trim (Masonry)	
#928LS	Sidewall Soffit Trim – Low Side	
#928HS	Sidewall Soffit Trim – High Side	
#938HS	Soffit Cap	
#938LS	Soffit Cap	
#948LSL	Sidewall Soffit Trim – Low Side - Long	
#948LSM	Sidewall Soffit Trim – Low Side - Medium	
#948LSS	Sidewall Soffit Trim – Low Side - Short	
#948HSL	Sidewall Soffit Trim – High Side - Long	
#948HSM	Sidewall Soffit Trim – High Side - Medium	
#948HSS	Sidewall Soffit Trim – High Side - Short	

Trim: C Panel Applications

[Menu](#)

#139	High Side Cap	
#219	Rake Trim	
#319	Outside Corner	
#329	Inside Corner	
#519	Header Trim	
#529	Zee Trim	
#539	Panel Cap / Sill / Jamb Trim	
#759	Base Trim	
#769	Base Trim	
#769L	Base Trim Long	
#779	Base Trim (Masonry)	
#929LS	Sidewall Soffit Trim – Low Side	
#929HS	Sidewall Soffit Trim – High Side	

#026	Ridge Cap	
#026C	Ridge Cap Closure	
#116	Eave Facia	
#126	Eave Trim	
#136	High Side Cap	
#136L	High Side Cap	
#156	Simple Eave Trim	
#156M	High Side Cap	
#216	Rake Facia	
#226	Rake Facia	
#236	Rake Trim	
#246	Rake Slide (Floating System)	
#256	Termination Zee	
#616	Sidewall Height Change	
#626L	Endwall Height Change	
#626S	Endwall Height Change	
#816	Snow Gutter	
#856	No Snow Gutter	
#956L	Variable Termination Trim	
#956S	Variable Termination Trim	
#966	Expansion Flashing Top	
#976	Expansion Flashing Bottom	
Panel	TS-324 Panel Profile	

Trim: Vintage Rib

[Menu](#)

#127	Eave Flashing	
#137	Drip Edge	
#147	Eave Flashing	
#217	Rake Trim	
#227	Rake Trim	
#237	Rake Trim	
#247	Rake Trim	
#517	Panel Cap	
#527	Panel Cap	
#537	Panel Cap	
#547	Panel Cap	
#557	Z Closure	
#567	Z Closure	
#617	Sidewall Height Change	
#627	Endwall Height Change	
#637	Sidewall Height Change	
#647	Sidewall Height Change	
#657	Endwall Height Change	
#917	Fascia/Soffit Trim	
#927	Fascia/Soffit Trim	
#937	Fascia Trim	
#947	Fascia Trim	
Panel	Vintage Rib Panel Profile	

Trim: Mini-Storage Applications

[Menu](#)

EJR-E	Expansion Joint End Cap	
EJR	Expansion Flashing Roof	
EJW-L	Expansion Trim Left Wall	
EJW-R	Expansion Trim Right Wall	
HC4	4" Header Cover	
HC5	5" Header Cover	
HC6	6" Header Cover	
JM4	4" Jamb Wrap	
JM5	5" Jamb Wrap	
JM6	6" Jamb Wrap	
JP-?	Jamb Panel	

Trim: Insulated Panel

[Menu](#)

774	Base Trim – 3”	
754	Base Trim – 2”	
764	Base Trim – 2 ½”	
314	Corner Trim – 1”	
514	Header Trim – 1”	
524	Header Trim – 2”	
534	Header Trim – 2 ½”	
544	Header Trim – 3”	
414	Jamb Trim – 1”	
614	Panel Cap – 1” A Style	
624	Panel Cap – 1” B Style	
634	Panel Cap – 2”	
644	Panel Cap – 2 ½”	
654	Panel Cap – 3”	
724	Stack Joint Z-Trim – 2”	
734	Stack Joint Z-Trim – 2 ½”	
744	Stack Joint Z-Trim – 3”	

Coil Widths

[Menu](#)

Secondary Framing Coils				
Gauge	Coil Width		Application	Colors
18 ga	4 13/16"		Angles	Galvanized
	7"			
	8"			
	29"			
16 ga	R.O.	Galv	Angles	Galvanized Red Oxide
	2"			
	4"	6"		
	6"	9"	Secondary Framing	
	9"	10"		
	10"	12"		
	11"	14"		
	12"	15"		
	14"	2"		
15"	4"			
14 ga	2"(RO & GALV)		Angles	Red Oxide
	4"			
	6"			
	10"		Secondary Framing	Galvanized Red Oxide
	12"			
	14"			
	15"			
	16"			
	18"			
	20"			
	22"			
12 ga	2"(RO & GALV)		Angles	Red Oxide
	4"			
	5"			
	6"		Secondary Framing	Galvanized Red Oxide
	10"			
	12"			
	14"			
	15"			
	16"			
	18"			
	20"			
	22"			
	Trim Coil			
Gauge	Coil Width		Application	Colors
29 ga	40 7/8"		Master Coil	See Sales Office

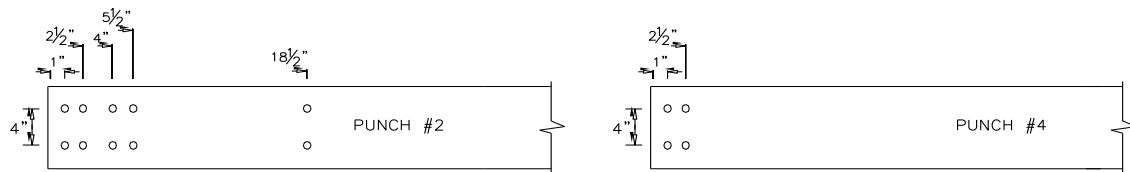
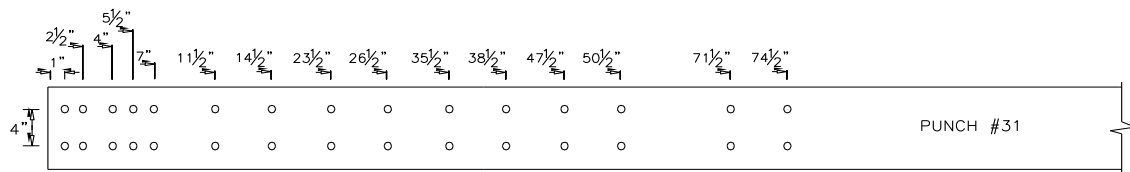
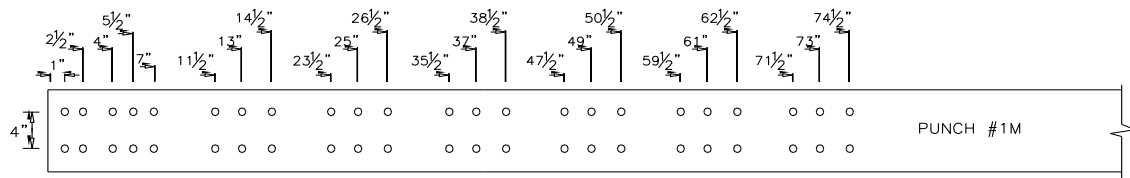
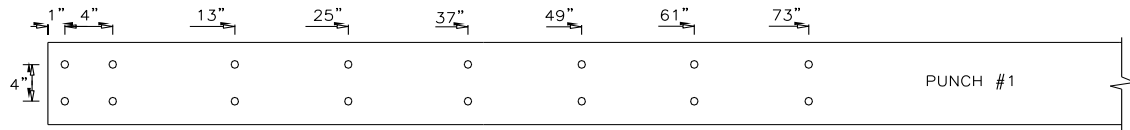
26 ga	42 3/4"	Master Coil	See Sales Office
	6"	Trim	
	9"		
	12"		
	14"		
	17 9/16"		
	21 1/4"		
	24"		
		Panel Coil Widths	
TS324	30 3/16"		
ML16	21 1/4"		
6.8 C, R, A	42 3/4"		
1.5 VINTAGE	21 1/4"		
5R9	40 7/8"		

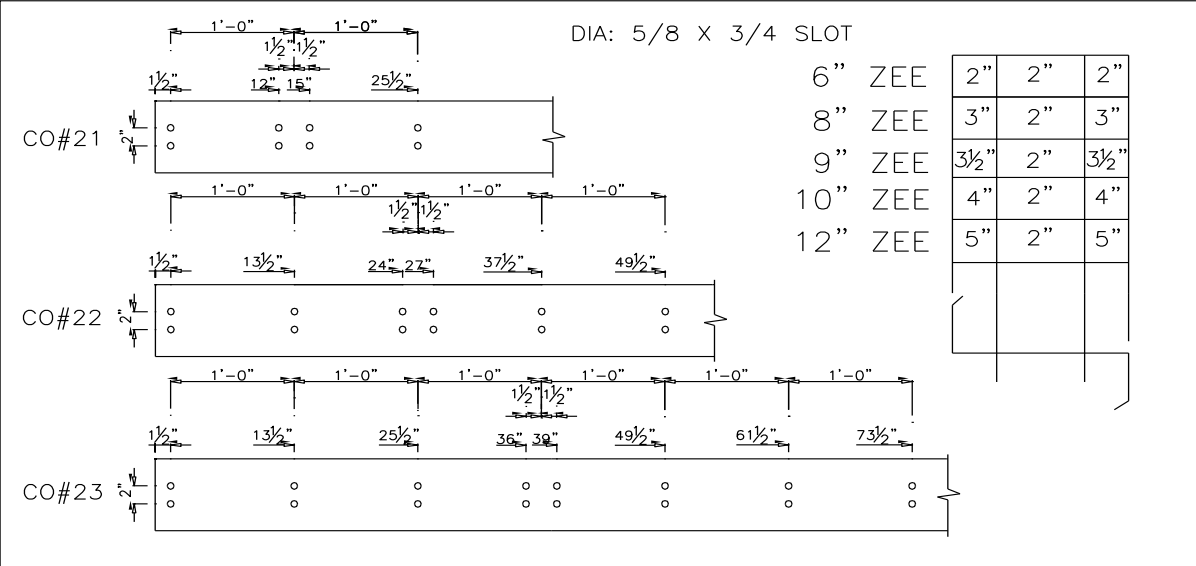
Secondary Framing

Punch Patterns

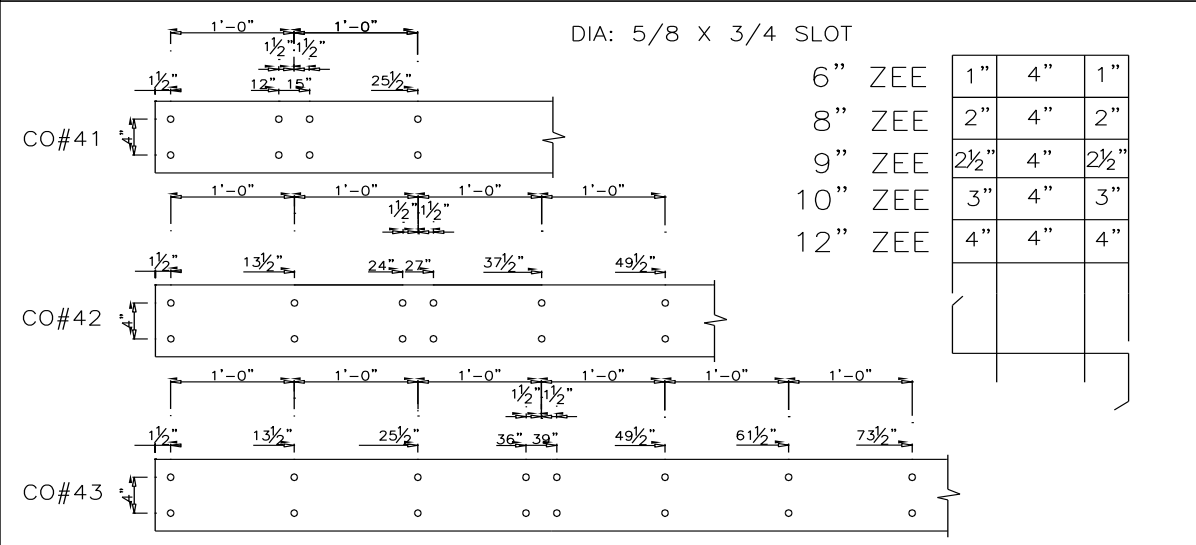
DIA: 5/8 X 3/4 SLOT

6" ZEE	2"	2"	2"
8" ZEE	3"	2"	3"
9" ZEE	3½"	2"	3½"
10" ZEE	4"	2"	4"
12" ZEE	5"	2"	5"

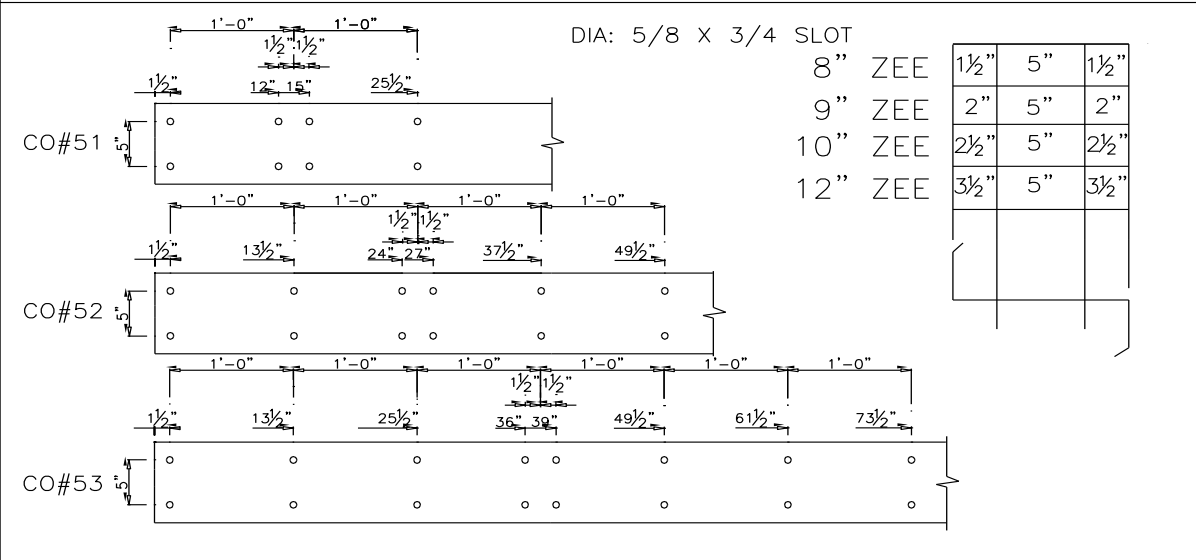




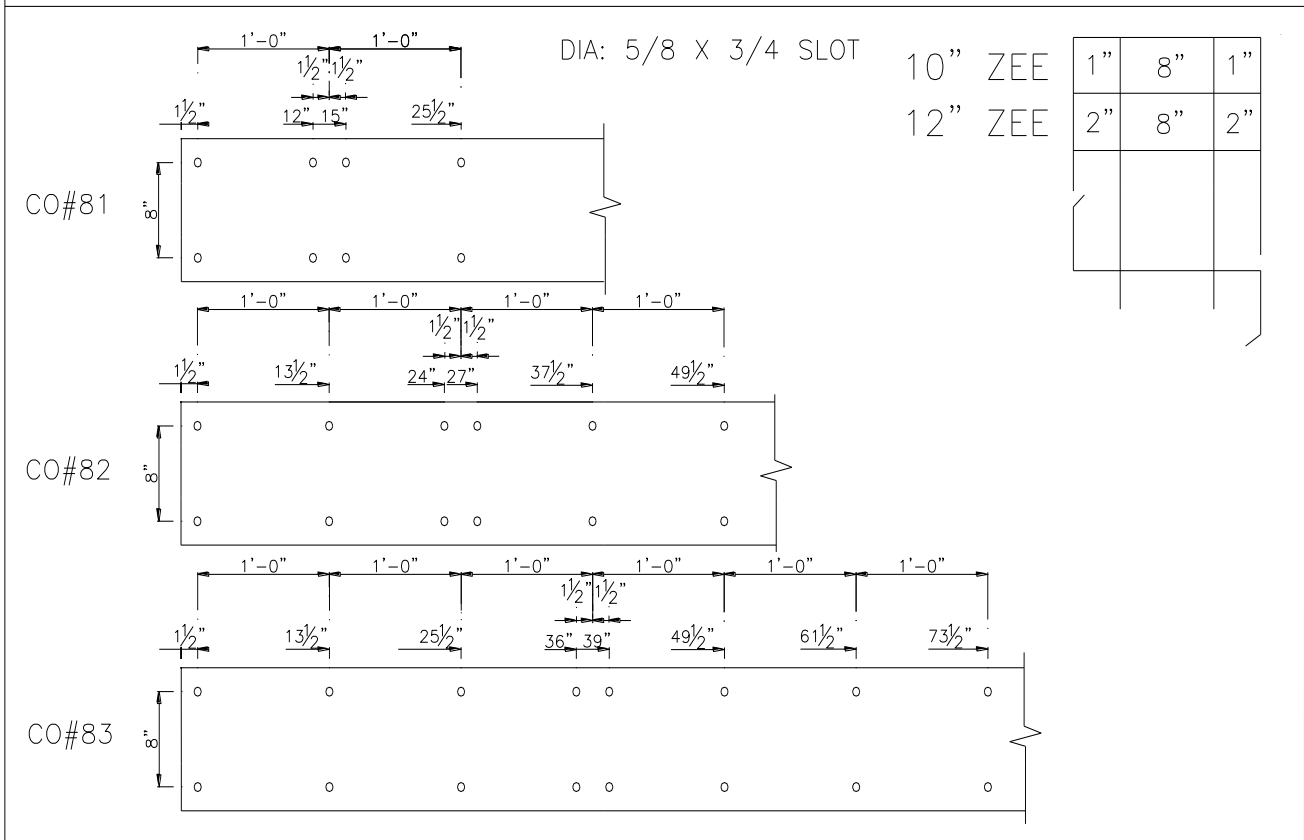
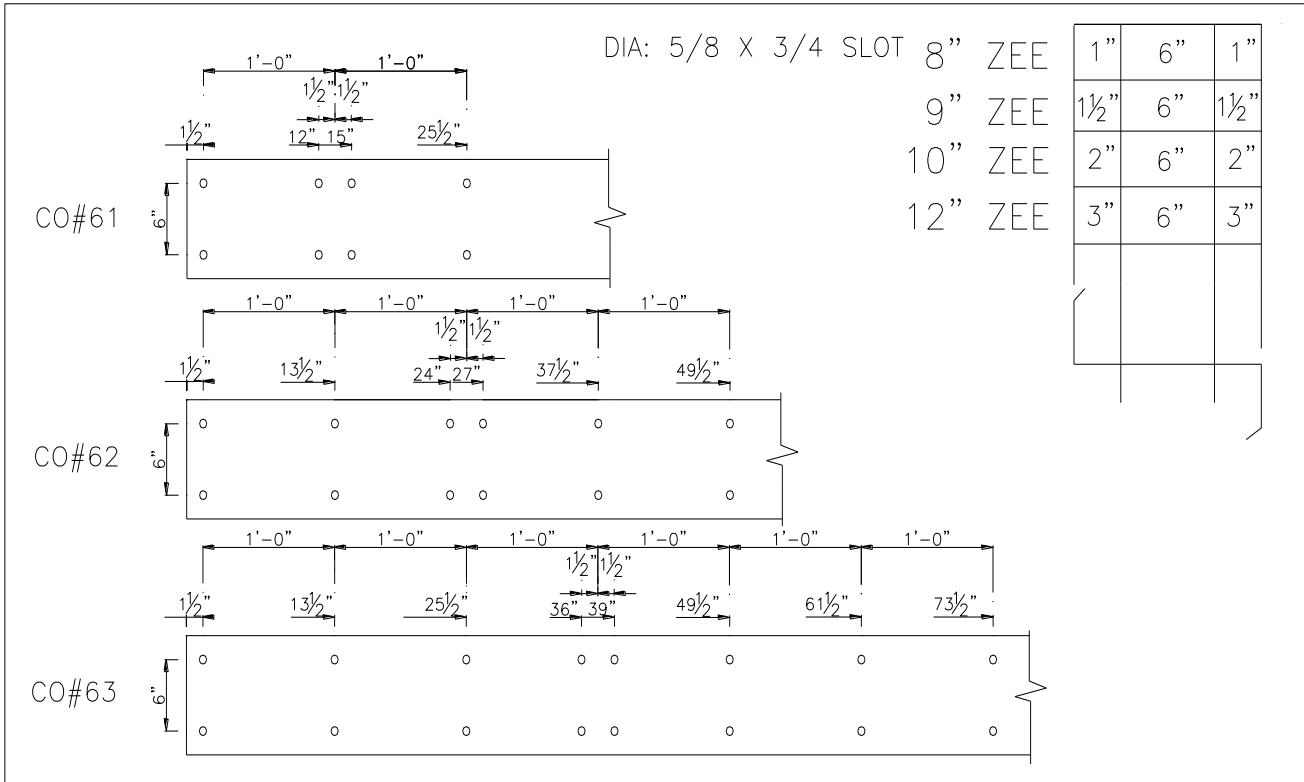
6" ZEE	2"	2"	2"
8" ZEE	3"	2"	3"
9" ZEE	3 1/2"	2"	3 1/2"
10" ZEE	4"	2"	4"
12" ZEE	5"	2"	5"



6" ZEE	1"	4"	1"
8" ZEE	2"	4"	2"
9" ZEE	2 1/2"	4"	2 1/2"
10" ZEE	3"	4"	3"
12" ZEE	4"	4"	4"



8" ZEE	1 1/2"	5"	1 1/2"
9" ZEE	2"	5"	2"
10" ZEE	2 1/2"	5"	2 1/2"
12" ZEE	3 1/2"	5"	3 1/2"

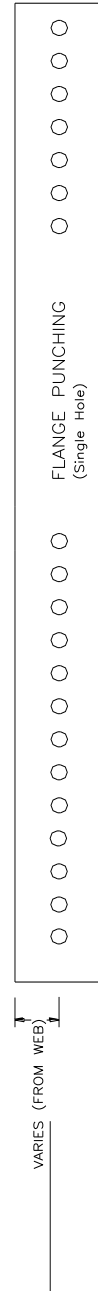
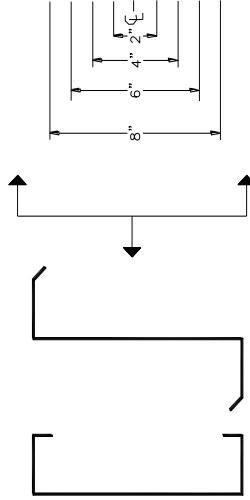


SPECIAL PUNCHES FOR CEES & ZEES

1 PIECE PER FORM

CEE SHAPES MEMBER PIECE MARK	ZEE SHAPES MEMBER PIECE MARK
C425-16	Z425-16
C425-14	Z425-14
C425-12	Z425-12
C625-16	Z625-16
C625-14	Z625-14
C625-12	Z625-12
C825-16	Z825-16
C825-14	Z825-14
C825-12	Z825-12
C1025-14	Z1025-14
C1025-12	Z1025-12
C1225-14	Z1225-14
C1225-12	Z1225-12
C835-14	
C835-12	
C1035-14	
C1035-12	
C1235-14	
C1235-12	

SHOW ALL DIMENSIONS IN INCHES
ALL DIMENSIONS FROM LEFT END



Notes:
 1. All punches are 5/8" x 3/4" slots.
 2. All web punching uses both holes shown, except for the one at the center line (i.e. you may have one hole centered or two holes with a 2", 4", 6", or 8" gage centered).

INSTRUCTIONS
 FILL OUT ALL OF THE FOLLOWING:
 PIECE MARK (NEXT TO THE MEMBER USED)
 QUANTITY, LENGTH, AND ALL HOLE DIMENSIONS (FROM LEFT TO RIGHT) THEN BLACK OUT DESIRED PUNCH LOCATION.(●)
 (SPECIFY GAGE ON FLANGE PUNCHES)

320 WEST 100 NORTH
 EPHRAIM, UTAH 84627
 PH. 435-283-4040
 FAX 435-283-8326

1 PIECE PER FORM

MEMBER	PIECE MARK
E645	16
E645	14
E645	12
E845	16
E845	14
E845	12
E1045	14
E1045	12
E1245	14
E1245	12

GAGE
 BOTTOM FLG WIDTH
 WEB DEPTH
 SHAPE

ROOF SLOPE 12" / 2 1/2"

QUANTITY = _____ CUT LENGTH = _____

SHOW ALL DIMENSIONS IN INCHES
 ALL DIMENSIONS FROM LEFT END

WEB PUNCHING
(See Note 2)

FLANGE PUNCHING
(Double Hole)

FLANGE PUNCHING
(Single Hole)

INSTRUCTIONS

FILL OUT ALL OF THE FOLLOWING:

PIECE MARK (NEXT TO THE MEMBER USED)

QUANTITY, LENGTH, ALL HOLE DIMENSIONS (FROM LEFT TO RIGHT) THEN BLACK OUT DESIRED PUNCH LOCATION. (●)

SPECIFY ROOF SLOPE, HIGH SIDE/LOW SIDE. (SPECIFY GAGE ON FLANGE PUNCHES)

Notes:

- All punches are 5/8" x 3/4" slots.
- All web punching uses both holes shown, except for the one at the center line (i.e. you may have one hole centered or two holes with a 2", 4", 6", or 8" gage centered).

320 WEST 100 NORTH
 EPHRAIM, UTAH 84627
 PH. 435-283-4040
 FAX 435-283-8326

SPECIAL PUNCHES FOR DOUBLE CEES

1. PIECE PER FORM

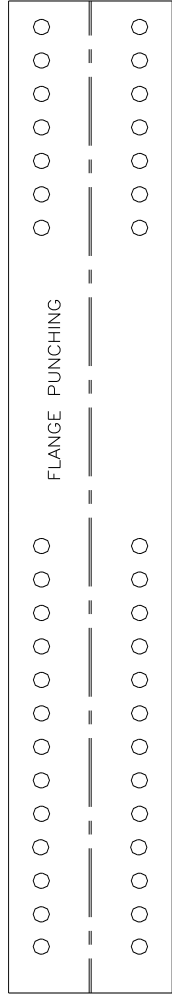
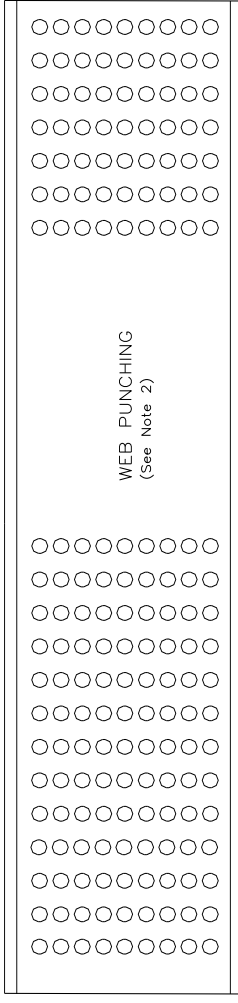
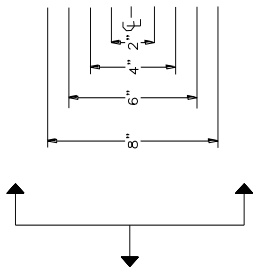
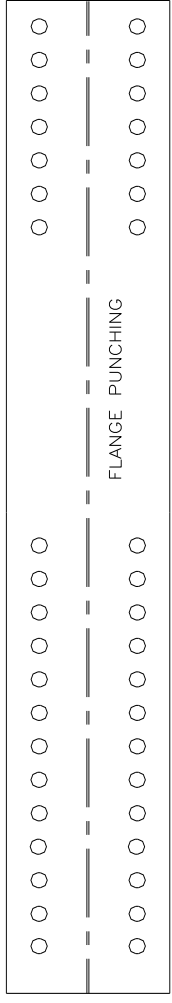
MEMBER	PIECE MARK	MEMBER	PIECE MARK
C425D16	_____	C835D14	_____
C425D14	_____	C835D12	_____
C425D12	_____	C1035D14	_____
C625D16	_____	C1035D12	_____
C625D14	_____	C1235D14	_____
C625D12	_____	C1235D12	_____
C825D16	_____		
C825D14	_____		
C825D12	_____		
C1025D14	_____		
C1025D12	_____		
C1225D14	_____		
C1225D12	_____		

QUANTITY = _____ CUT LENGTH = _____

SHOW ALL DIMENSIONS IN INCHES
ALL DIMENSIONS FROM LEFT END



L GAGE _____
 DENOTES DOUBLE _____
 FLG WIDTH _____
 WEB DEPTH _____
 SHAPE _____



Notes:

- All punches are 5/8" x 3/4" slots.
- All web punching uses both holes shown, except for the one at the center line (i.e. you may have one hole centered or two holes with a 2", 4", 6", or 8" gage centered).

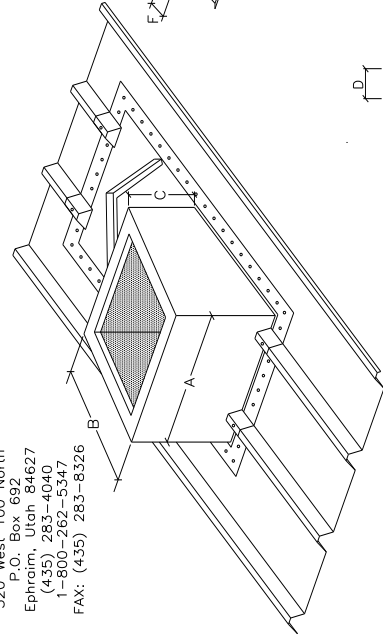
INSTRUCTIONS
 FILL OUT ALL OF THE FOLLOWING:
 PIECE MARK (NEXT TO THE MEMBER USED)
 QUANTITY, LENGTH, AND ALL HOLE DIMENSIONS (FROM LEFT TO RIGHT) THEN BLACK OUT DESIRED PUNCH LOCATION. (●)
 (SPECIFY GAGE ON FLANGE PUNCHES)

320 WEST 100 NORTH
 EPHRAIM, UTAH 84627
 PH. 435-283-4040
 FAX 435-283-8326



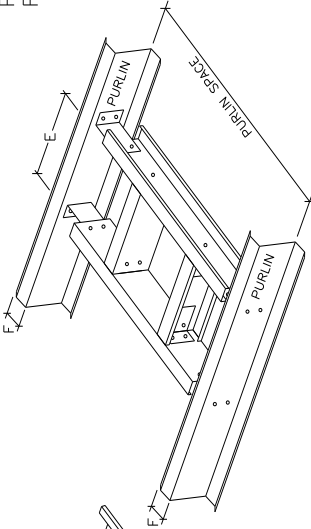
BUILDING SYSTEMS INC.
 320 West 100 North
 P.O. Box 624627
 Ephraim, Utah 84627
 1-(435)-262-5347
 1-800-262-5347
 FAX: (435) 262-5326

DATE: ____/____/____
 CUSTOMER: _____
 ADDRESS: _____
 PROJECT: _____
 PHONE: _____
 FAX: _____

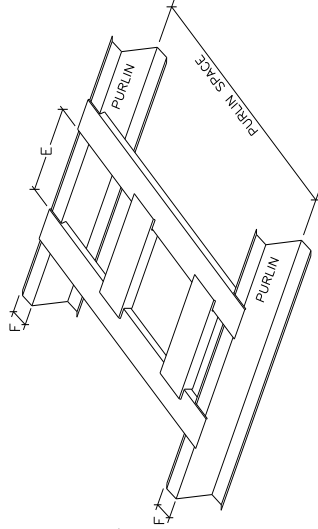


ROOF CURB

Includes curb, sealant tape, and self drilling screws to match.



VERTICAL SUPPORT SYSTEM

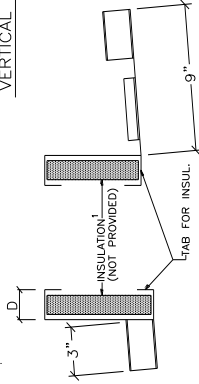


HORIZONTAL SUPPORT SYSTEM

Horizontal support system may be used for loads up to 300 lb.
 Horizontal support system includes channels only.

Vertical support system required for loads over 300 lb.

Vertical support system includes channels, clips, and bolts.



TYP. CROSS SECTION

Note: All vertical and horizontal loads to be evaluated by others.

PANEL PROFILE: Show all dimensions, angles, radius, etc.

MATERIAL/ FINISH

16ga. HOT DIPPED GALVANIZED

DIMENSIONS/ SPECIFICATIONS

QTY.	A	B	C (8"min.)	D (1.5"min.)	E	F	ROOF SLOPE	PURLIN SPACE	FRAMING TYPE	APPLIANCE WEIGHT ²	POWDER COAT (OPTIONAL)
							:12		H V NA	lb.	COLOR:
							:12		H V NA	lb.	COLOR:
							:12		H V NA	lb.	COLOR:
							:12		H V NA	lb.	COLOR:

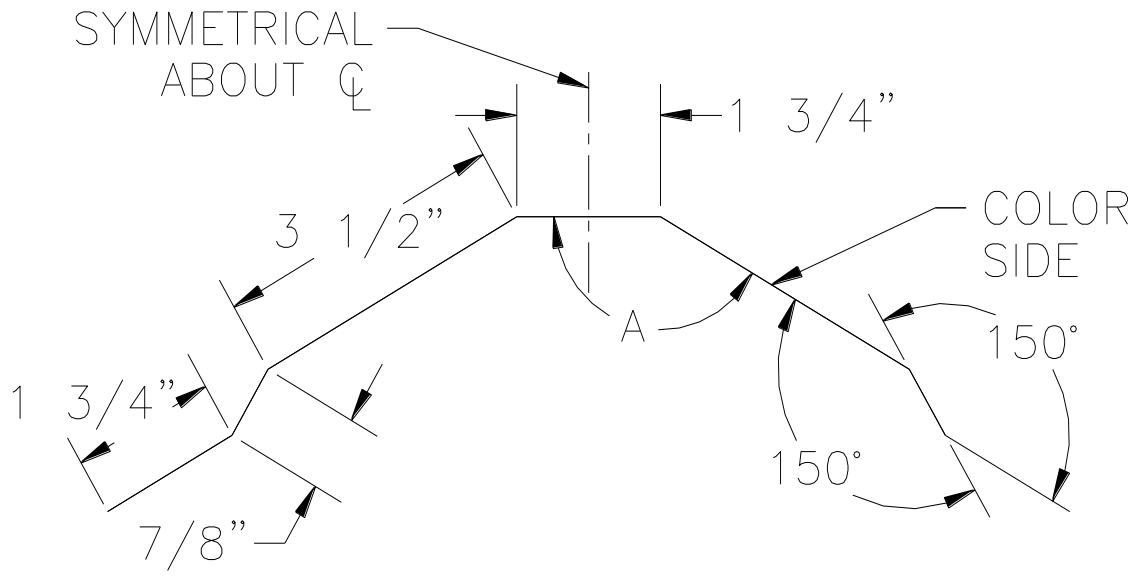
- INSULATION NOT PROVIDED BY CO BUILDING SYSTEMS, TABS ARE PROVIDED TO SUPPORT INSULATION IF USED.
- PROVIDE WEIGHT LOCATIONS ON APPLIANCES OVER 300 lb.
- COLORS MAY NOT BE EXACT MATCH DUE TO GLOSS, COLOR, AND PIGMENT LIMITATIONS, ETC.

H = HORIZONTAL
 V = VERTICAL
 NA = NOT APPLICABLE

CUSTOMER SIGNATURE _____ DATE _____

COMMERCIAL/RESIDENTIAL	PBR	
	A-PANEL	
	RR-PANEL	
	PBA	
	TS-324	
RESIDENTIAL	5R9	
	VINTAGE RIB	

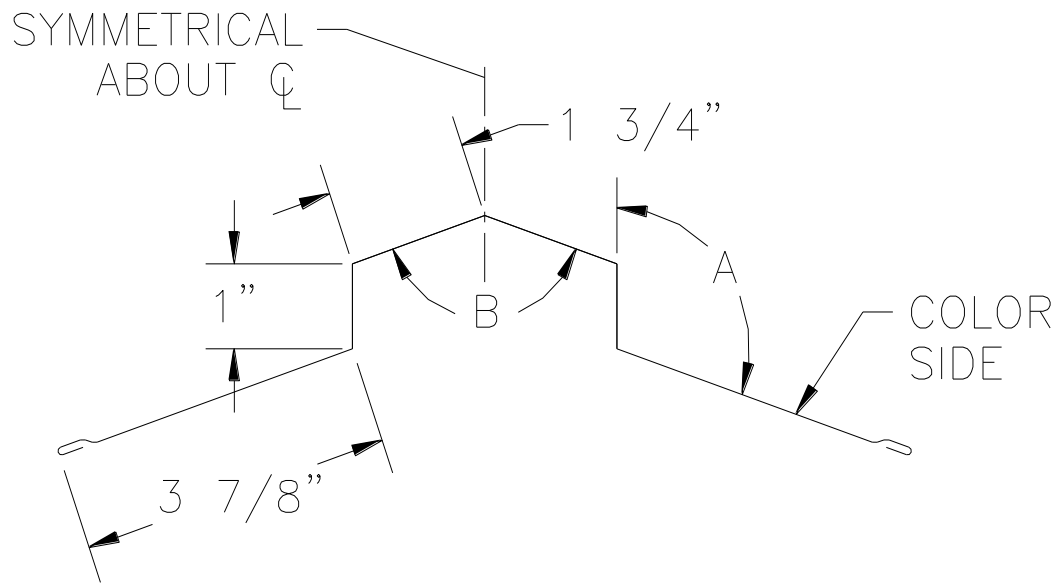
DEGREE'S	
ROOF SLOPE	A
1:12	175°
2:12	171°
3:12	166°
4:12	162°



UNIVERSAL RIDGE (#011)

GIRTH = 14"
GAUGE = 26

DEGREE'S		
ROOF SLOPE	A	B
1:12	95°	170°
2:12	99°	161°
3:12	104°	152°
4:12	109°	143°

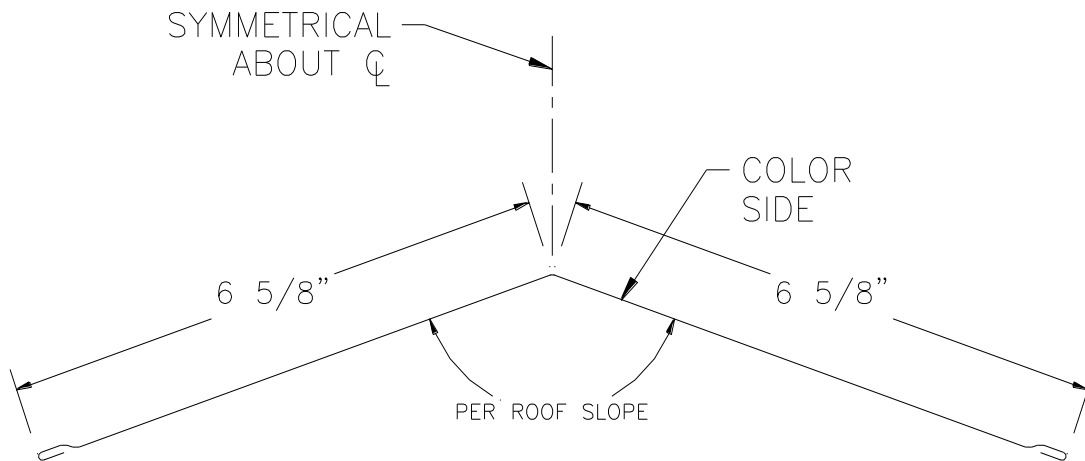


UNIVERSAL RIDGE (#021)

GIRTH = 14"
GAUGE = 26

DEGREE'S

ROOF SLOPE	DEGREE
1:12	170°
2:12	160°
3:12	150°
4:12	140°

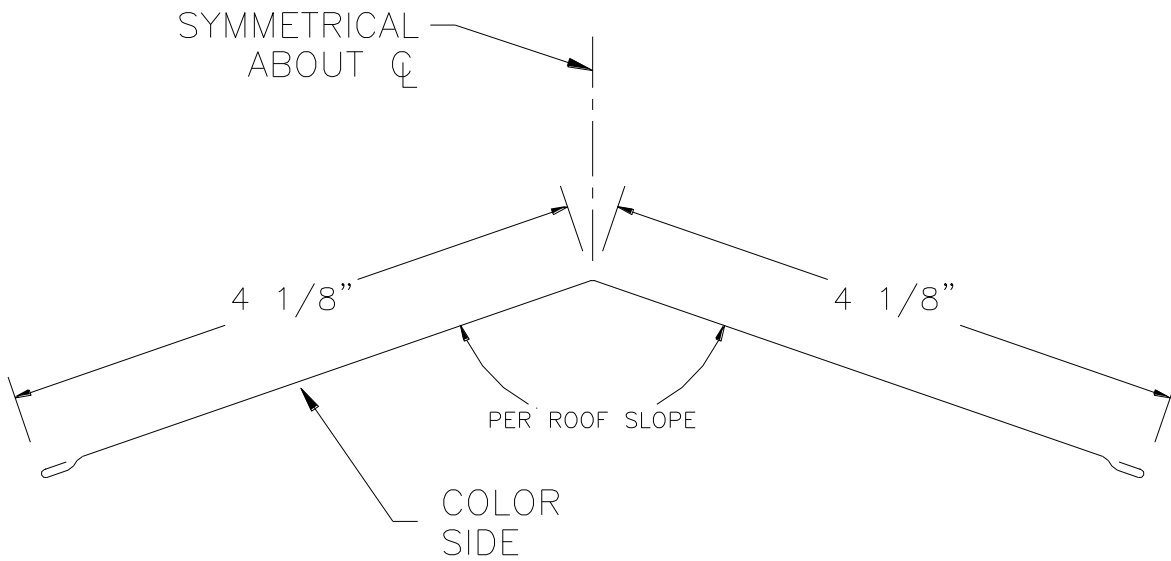


UNIVERSAL RIDGE (#031)

GIRTH = 14"
GAUGE = 26
L = 3

DEGREE'S

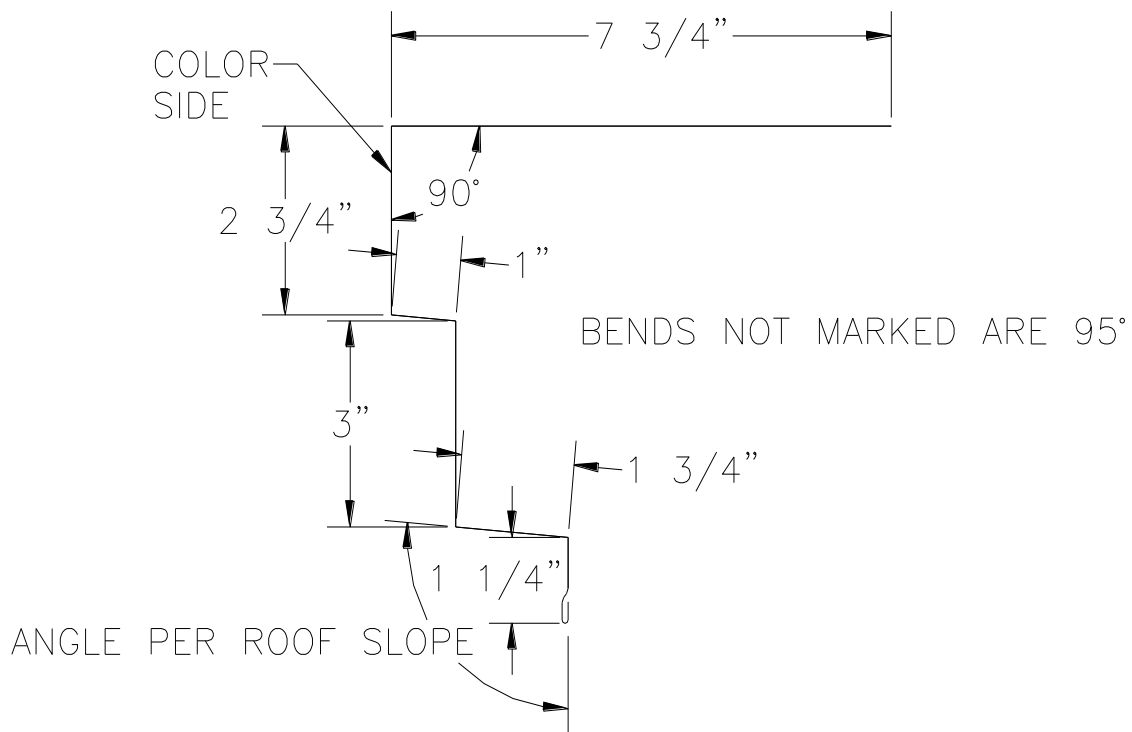
ROOF SLOPE	DEGREE
1:12	170°
2:12	160°
3:12	150°
4:12	140°



SOFFIT PEAK (#051)

GIRTH = 9"
 GAUGE = 26
 L = 3

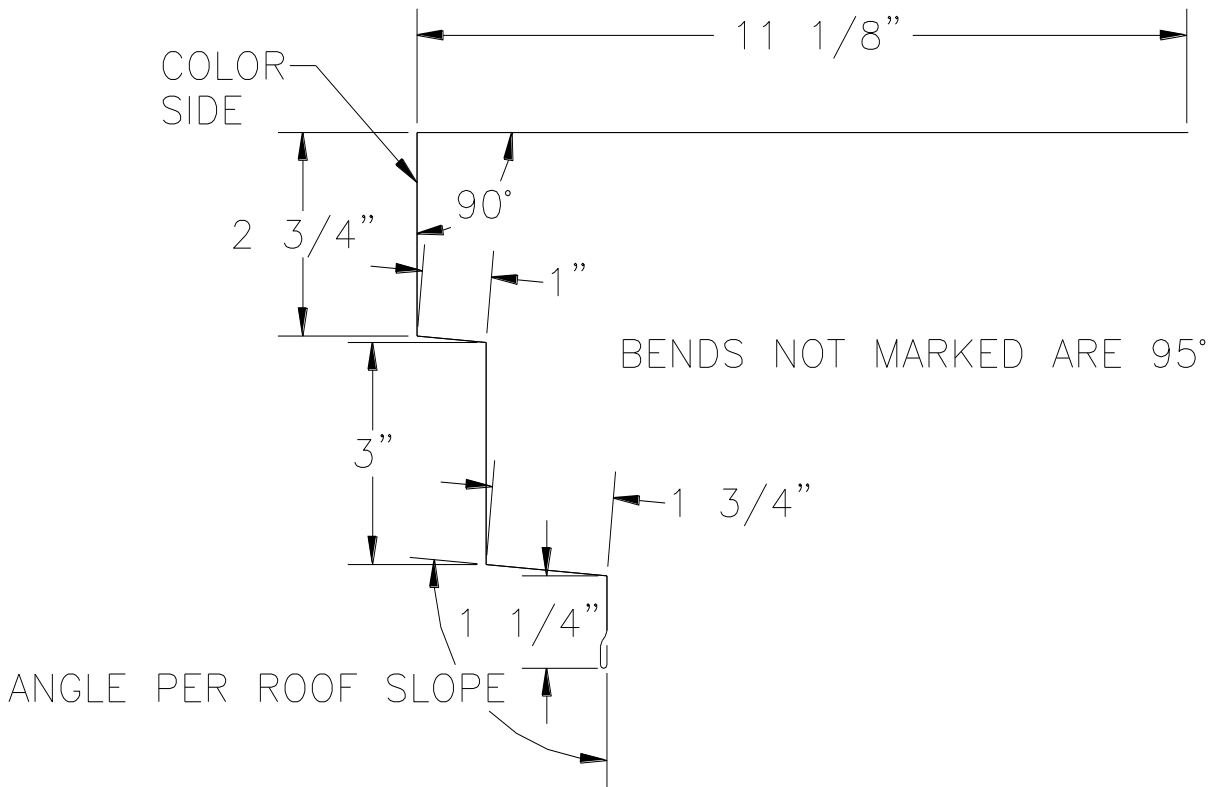
Roof Slope:	Degree
1:12	90°
2:12	95°
3:12	100°
4:12	105°



EAVE FACIA (#111)

COMMERCIAL FLASHING
GIRTH = 17 5/8"
GAUGE = 26

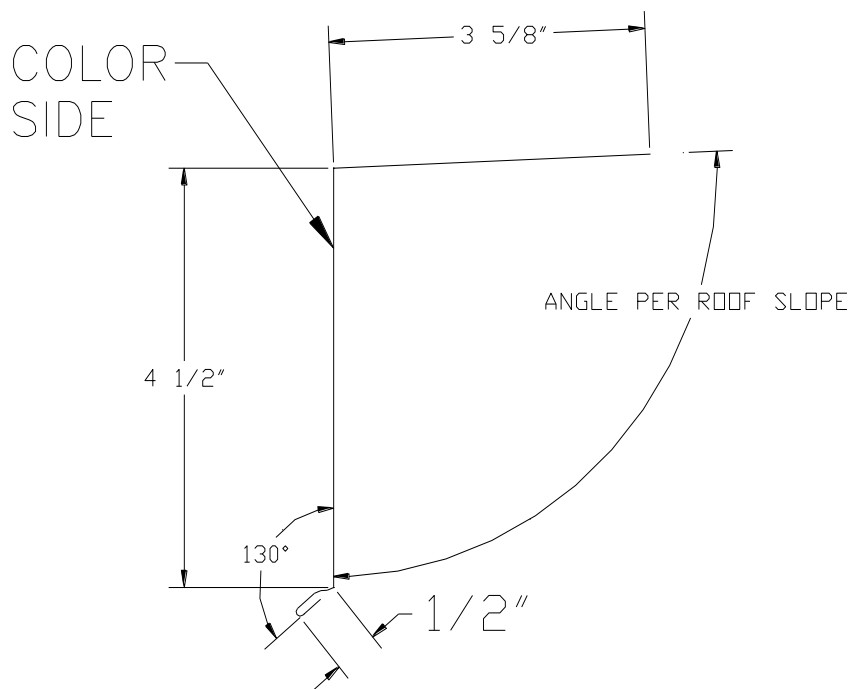
Roof Slope:	Degree
1:12	90°
2:12	95°
3:12	100°
4:12	105°



EAVE FACIA (#111L)

COMMERCIAL FLASHING
GIRTH = $21 \frac{1}{4}''$
GAUGE = 26

Roof Slope:	Degree
1:12	95°
2:12	100°
3:12	105°
4:12	110°



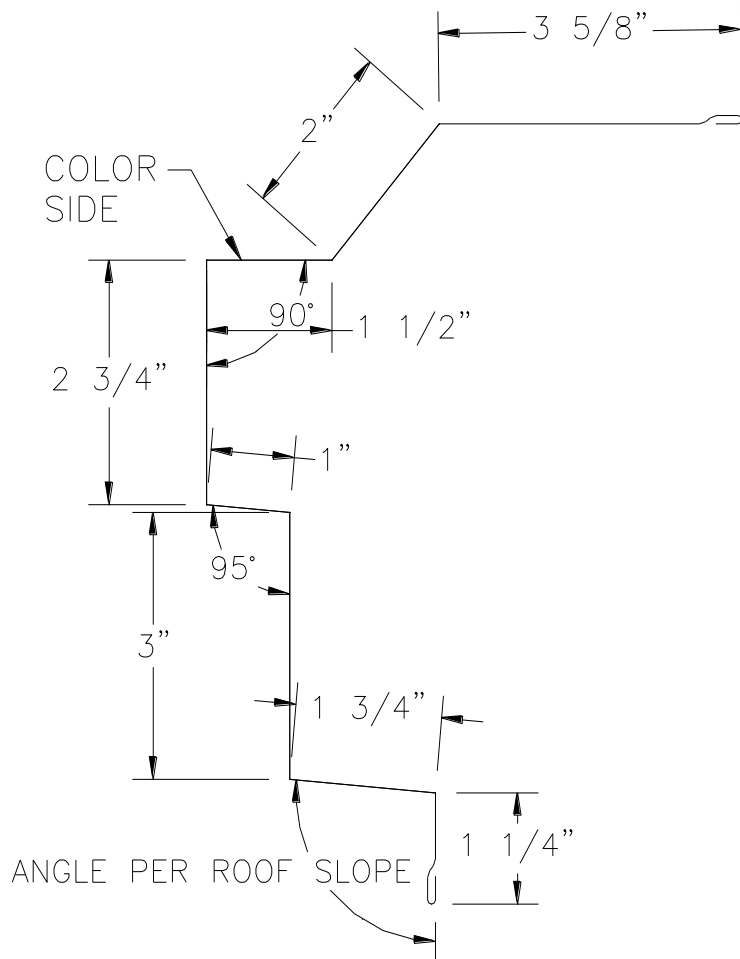
EAVE FLASHING (#121)

SIMPLE FLASHING

GIRTH = 9"

GAUGE = 26

Roof Slope:	Degree
1:12	95°
2:12	100°
3:12	105°
4:12	110°



HIGH SIDE CAP (#131)

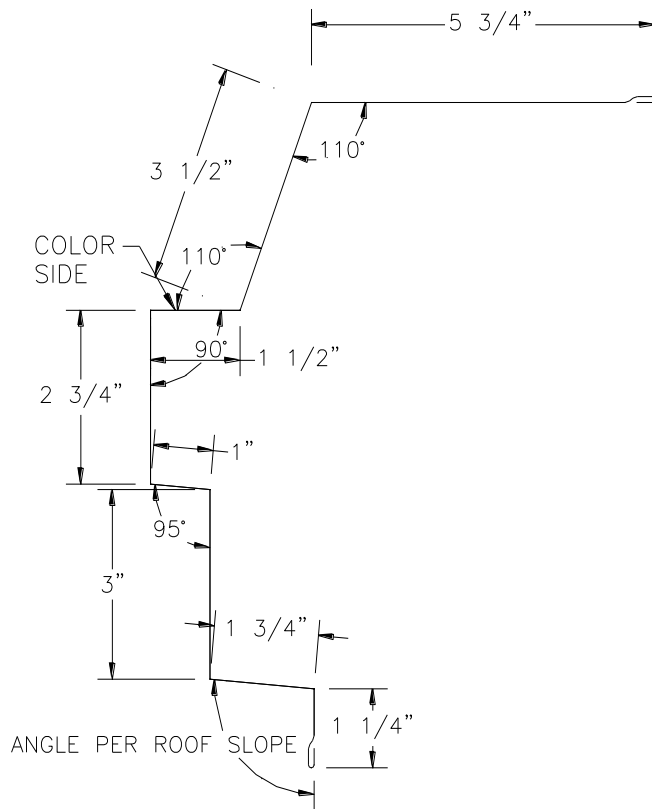
COMMERCIAL HIGH SIDE CAP

GIRTH = 17 5/8"

GAUGE = 26

L = 9

Roof Slope:	Degree
1:12	95°
2:12	100°
3:12	105°
4:12	110°



HIGH SIDE CAP (#131SS)

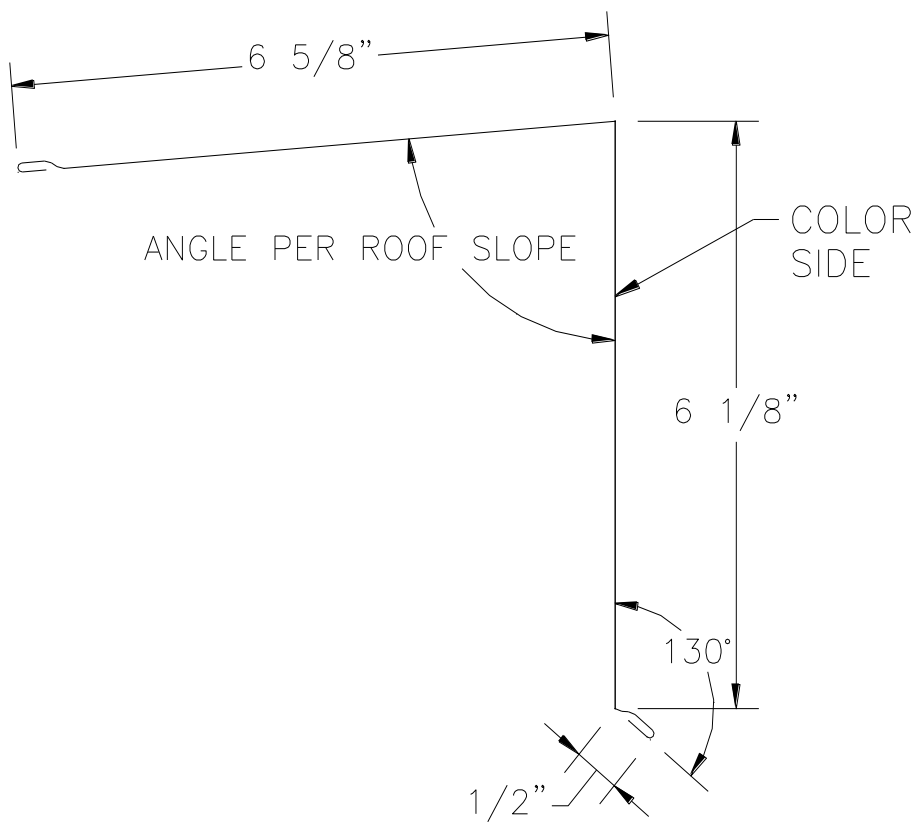
COMMERCIAL HIGH SIDE CAP

GIRTH = $21 \frac{1}{4}$ "

GAUGE = 26

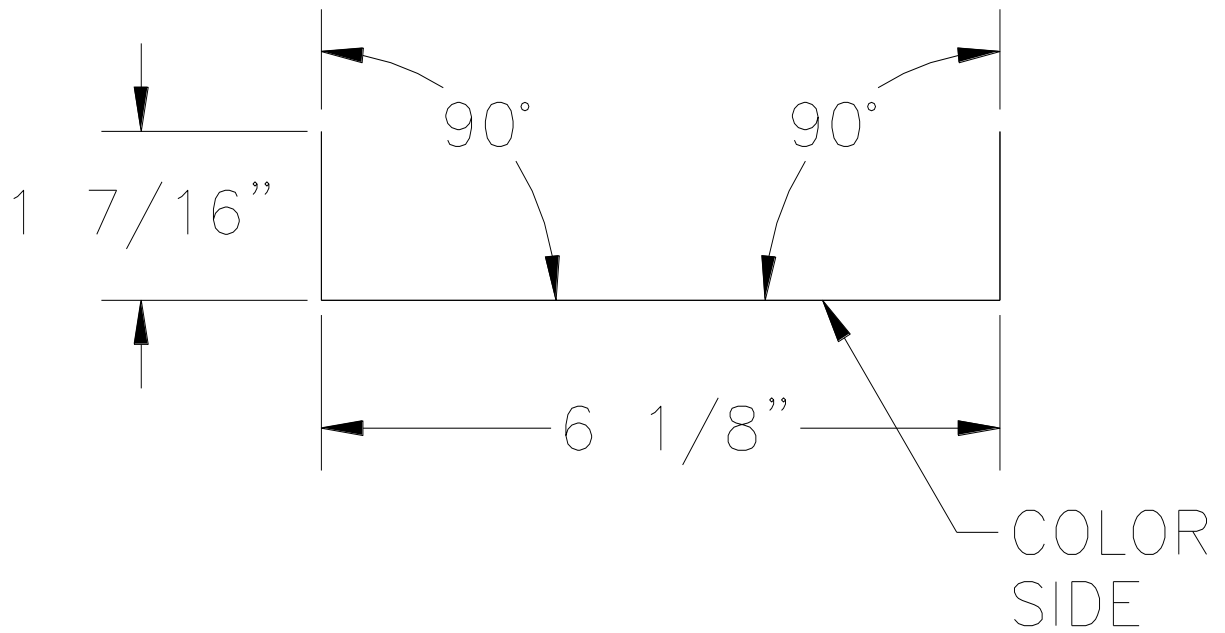
L = 9

Roof Slope:	Degree
1:12	85°
2:12	81°
3:12	76°
4:12	72°



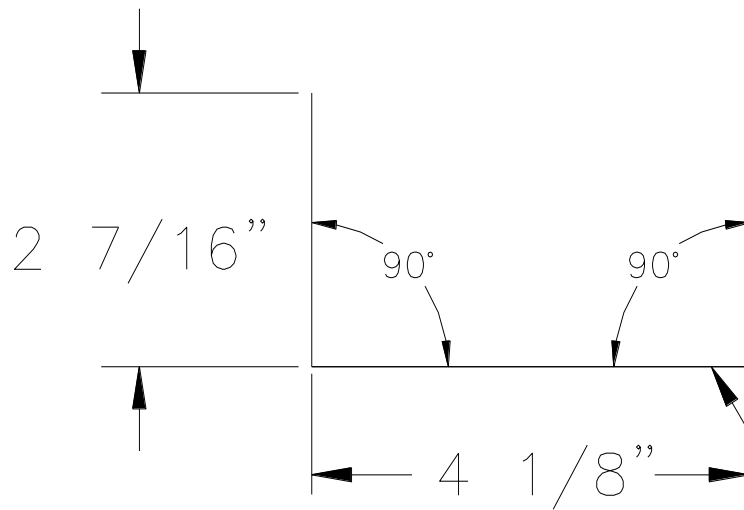
HIGH SIDE CAP (#141)

SIMPLE HIGH SIDE CAP
GIRTH = 14"
GAUGE = 26
L = 4



6" JAMB COVER (#401)

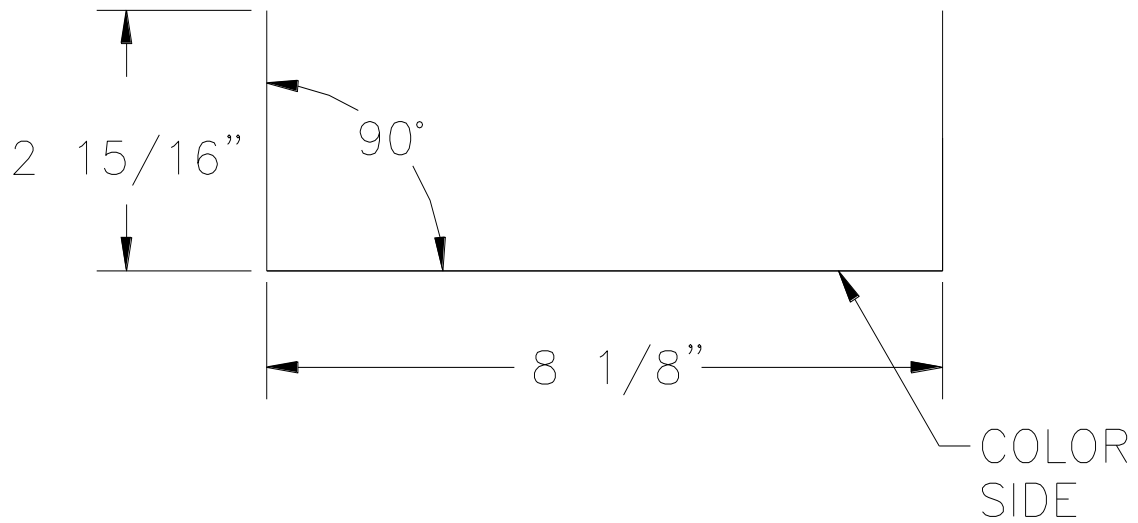
GIRTH = 9"
GAUGE = 26



COLOR
SIDE

4" JAMB COVER (#411)

GIRTH = 9"
GAUGE = 26

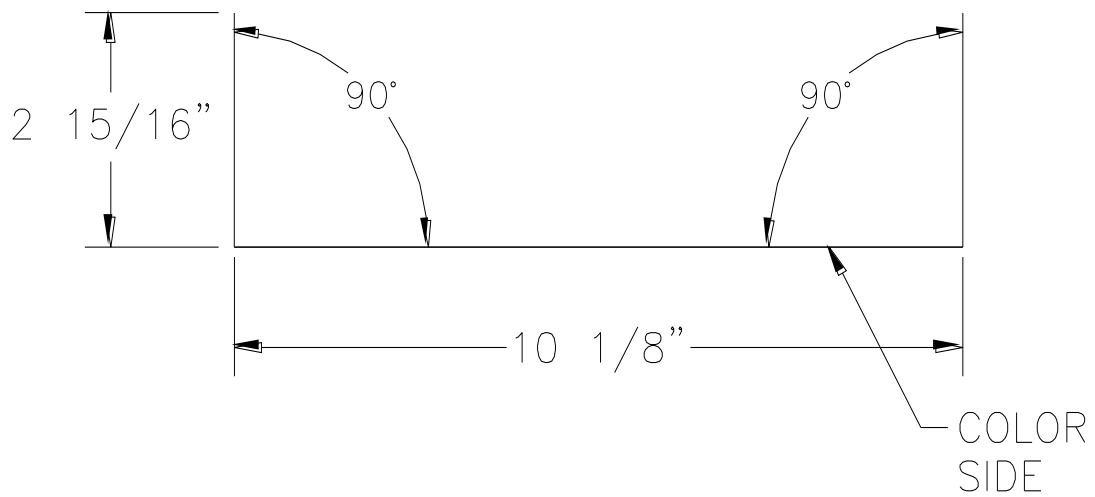


8" OPEN JAMB CAP (#421)

COIL WIDTH = 14"

**16 GA. Red Oxide

**Consult Factory For Availability Of Galvanized Material.
and/or Other Gauges.

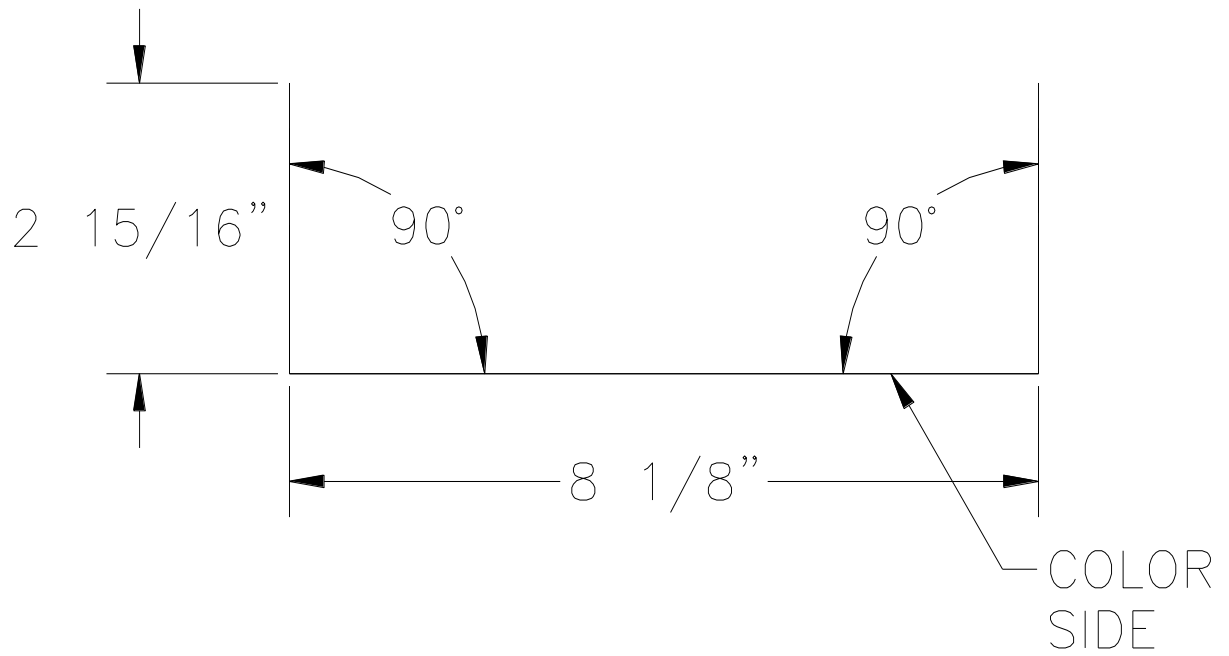


10" OPEN JAMB CAP (#431)

COIL WIDTH = 16"

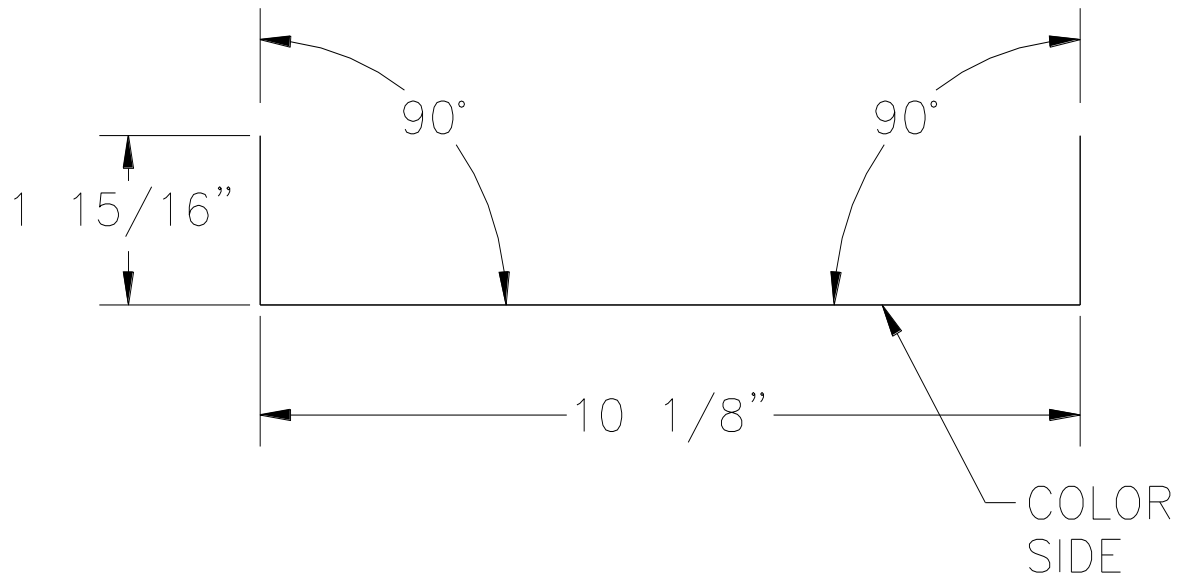
**14 GA. Red Oxide

**Consult Factory For Availability Of Galvanized Material.
and/or Other Gauges.



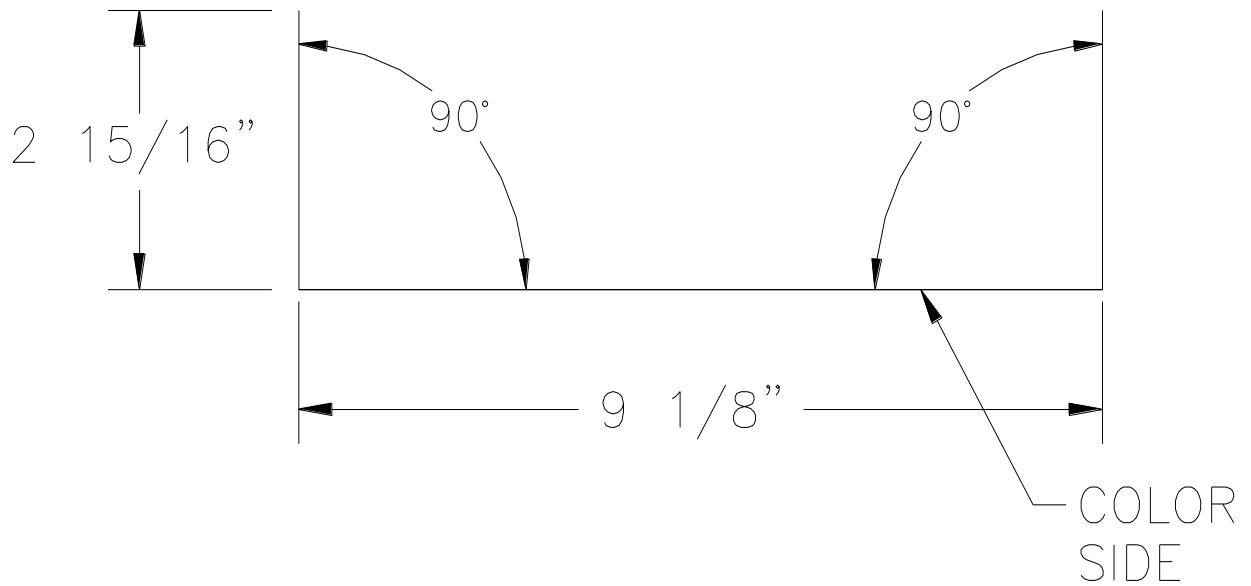
8" JAMB COVER (#441)

GIRTH = 14"
GAUGE = 26



10" JAMB COVER (#451)

GIRTH = 14"
GAUGE = 26

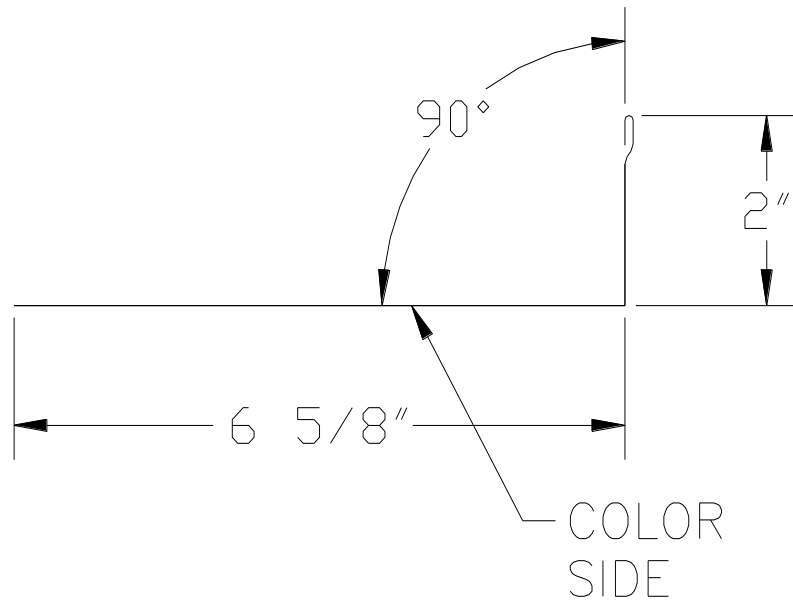


9" OPEN JAMB CAP (#461)

COIL WIDTH = 15"

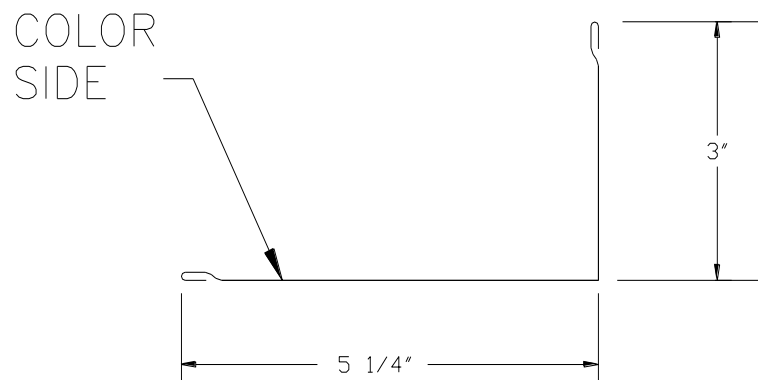
**16 GA. Red Oxide

**Consult Factory For Availability Of Galvanized Material.
and/or Other Gauges.



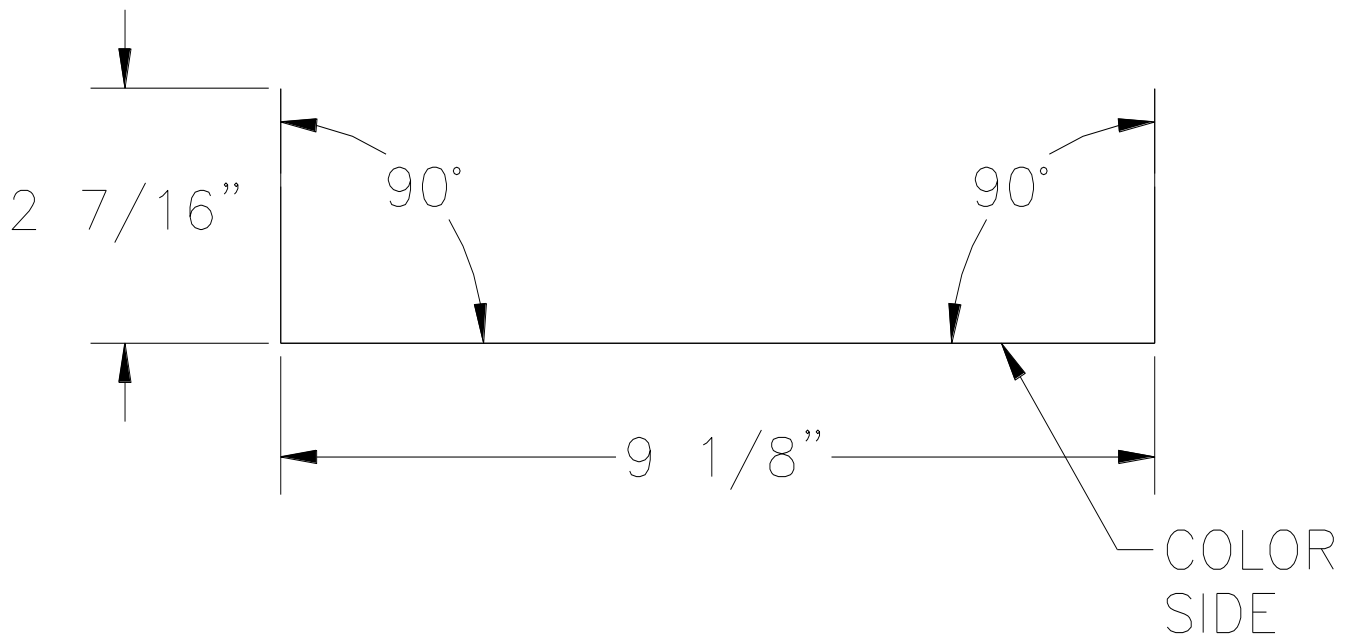
COVER ANGLE (#471)

GIRTH = 9"
GAUGE = 26



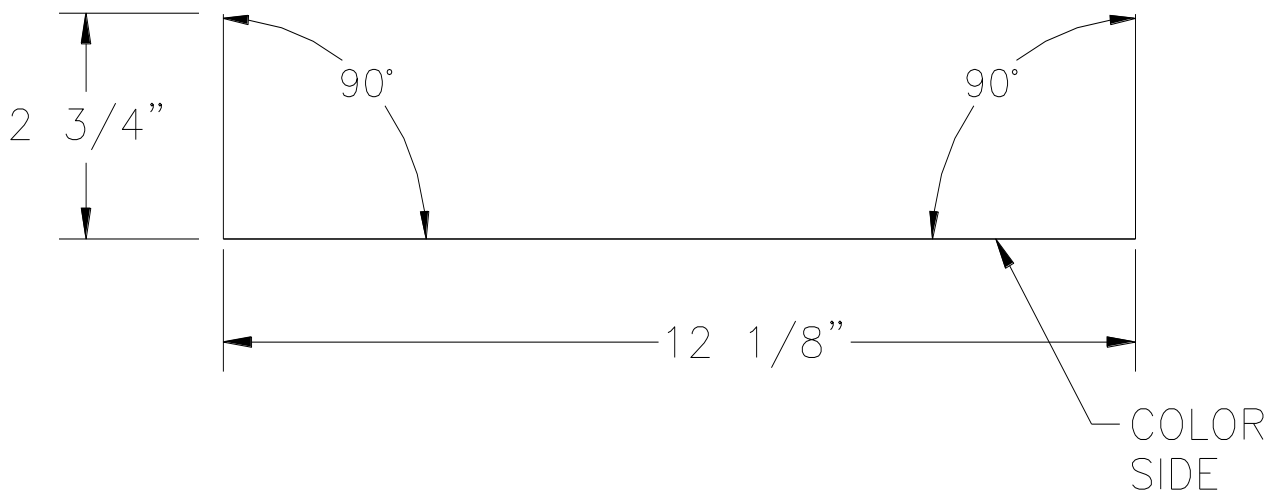
PARTITION COVER ANGLE (#471A)

GIRTH = 9"
GAUGE = 26



9" JAMB COVER (#481)

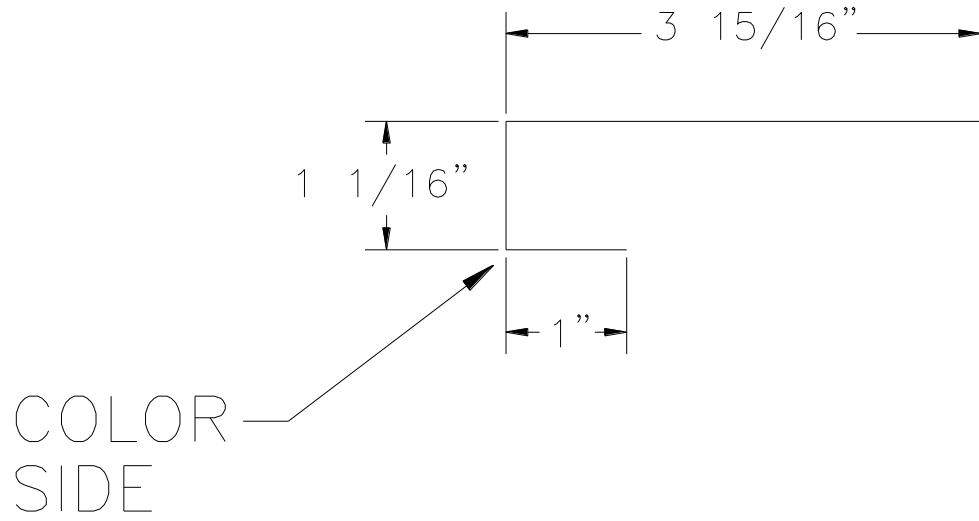
GIRTH = 14"
GAUGE = 26



12" JAMB COVER (#491)

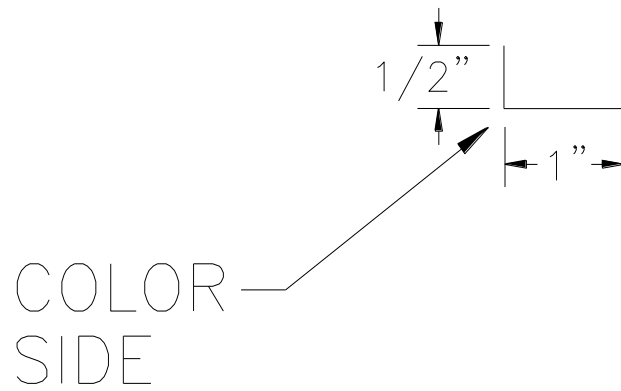
GIRTH = $17 \frac{5}{8}$ "

GAUGE = 26



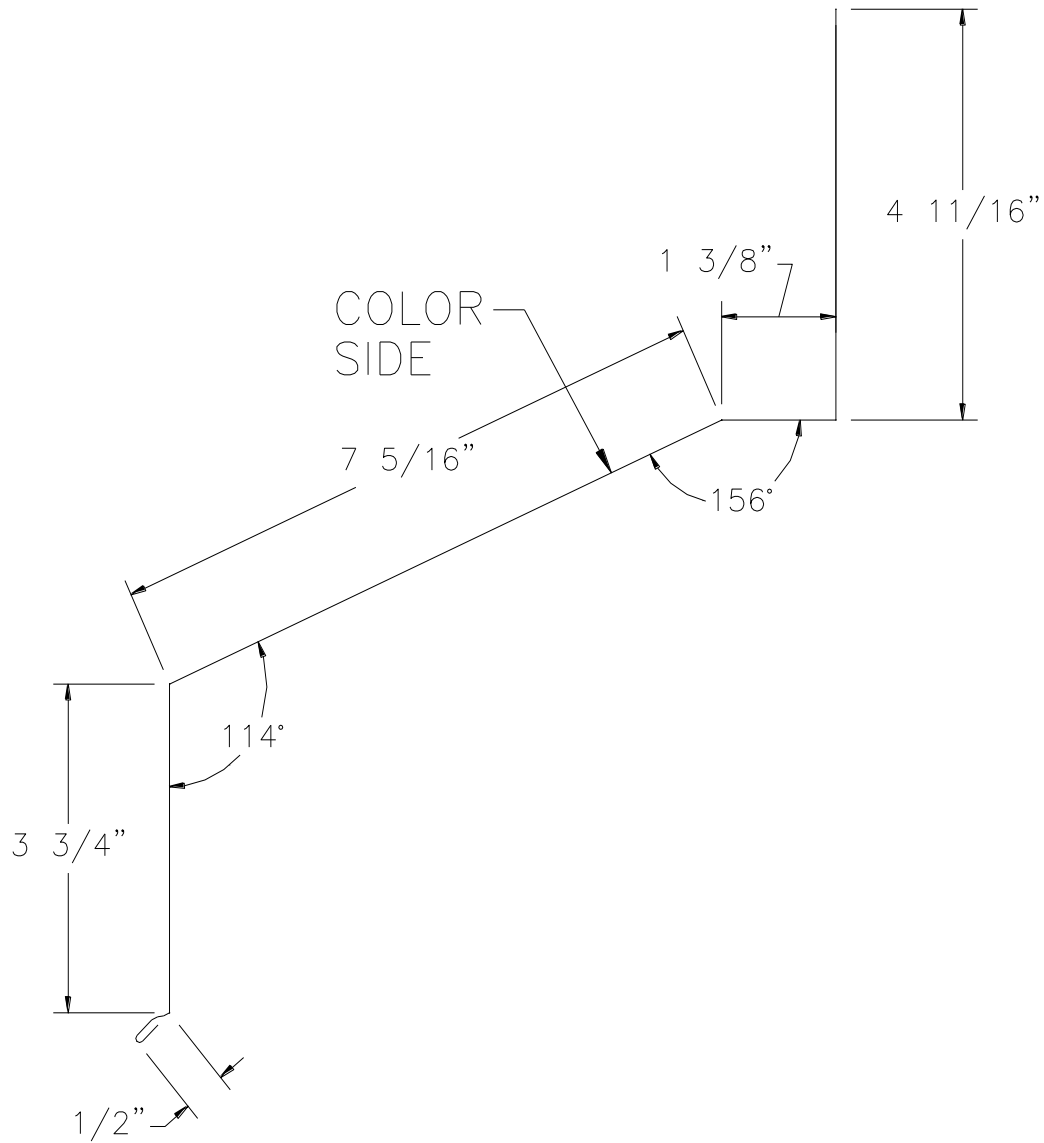
SNS INSULATION WRAP (#501)

GIRTH = 6"
GAUGE = 26



INSULATION RAIL (#511)

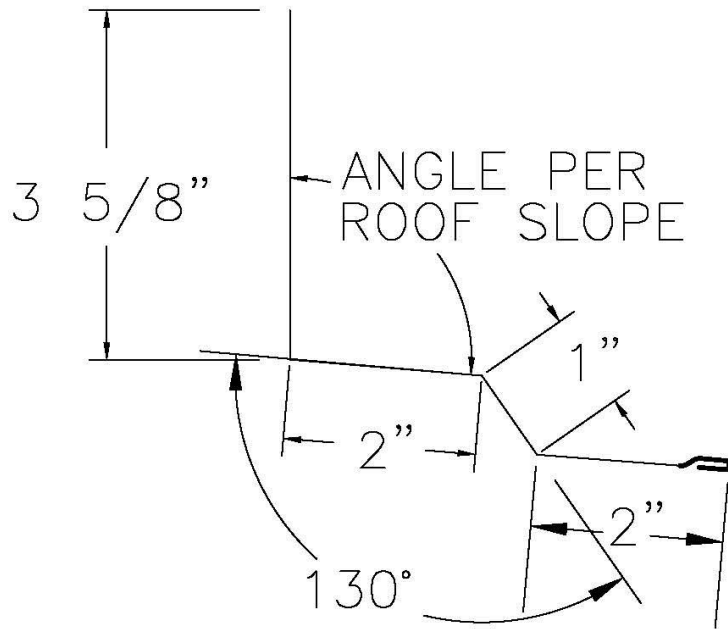
GIRTH = 2"
GAUGE = 26



SLIDING DOOR HEADER TRIM (#541)

GIRTH = 18"
GAUGE = 26

ANGLE DEGREE'S	
LOW SIDE	
ROOF SLOPE	DEGREE
1:12	95°
2:12	100°
3:12	105°
4:12	110°

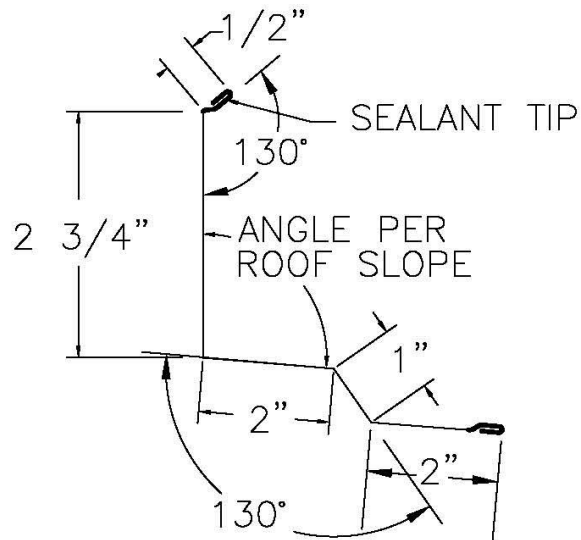


SIDEWALL HEIGHT CHANGE (#611)

COMMERCIAL FLASHING

GIRTH = 9"

GAUGE = 26



ANGLE DEGREE'S	
LOW SIDE	
ROOF SLOPE	DEGREE
1:12	95°
2:12	100°
3:12	105°
4:12	110°

SIDEWALL HEIGHT CHANGE W/SEALANT TIP (#611ST)

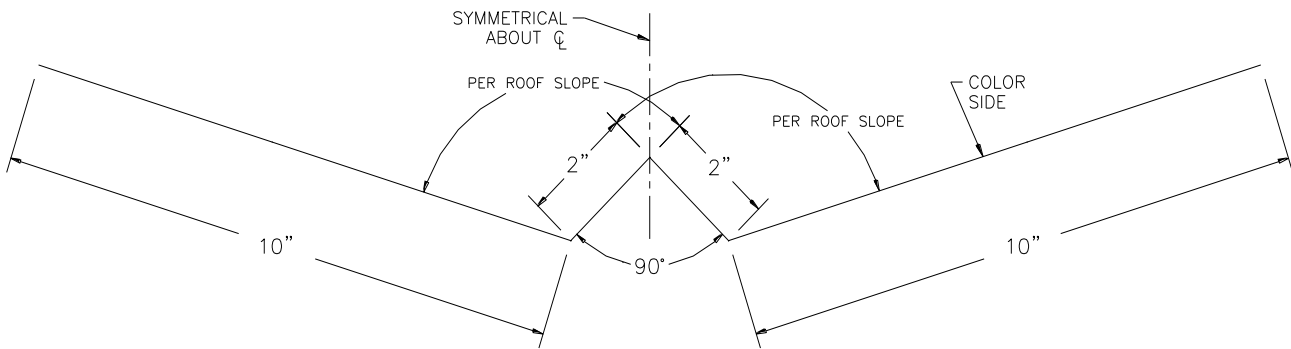
COMMERCIAL FLASHING

GIRTH = 9"

GAUGE = 26

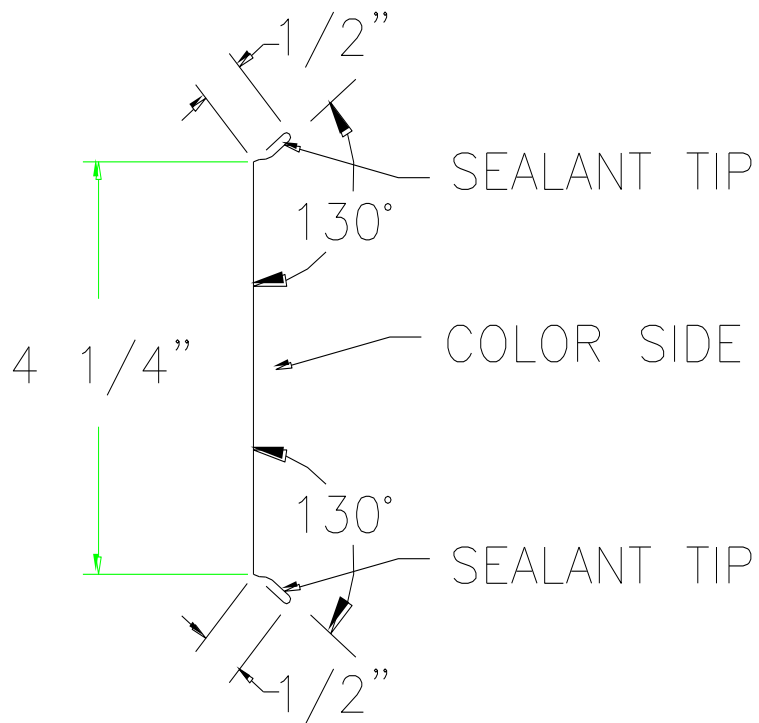
DEGREE'S

ROOF SLOPE	DEGREE
1:12	170°
2:12	160°
3:12	150°
4:12	140°



VALLEY FLASHING (#631)

GIRTH = 24"
GAUGE = 26
L = 4



SEALANT FLASHING (641)

COMMERCIAL FLASHING

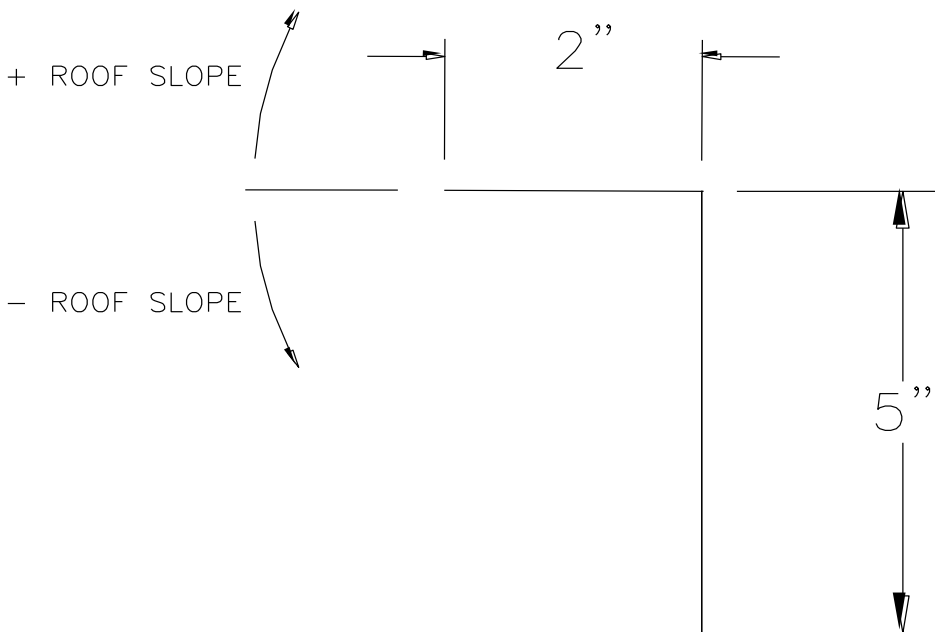
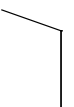
GIRTH = 6"

GAUGE = 26

EAVE ANGLE DEGREE'S	
ROOF SLOPE	DEGREE
-4	70°
-3	75°
-2	80°
-1	85°

0	90°
---	-----

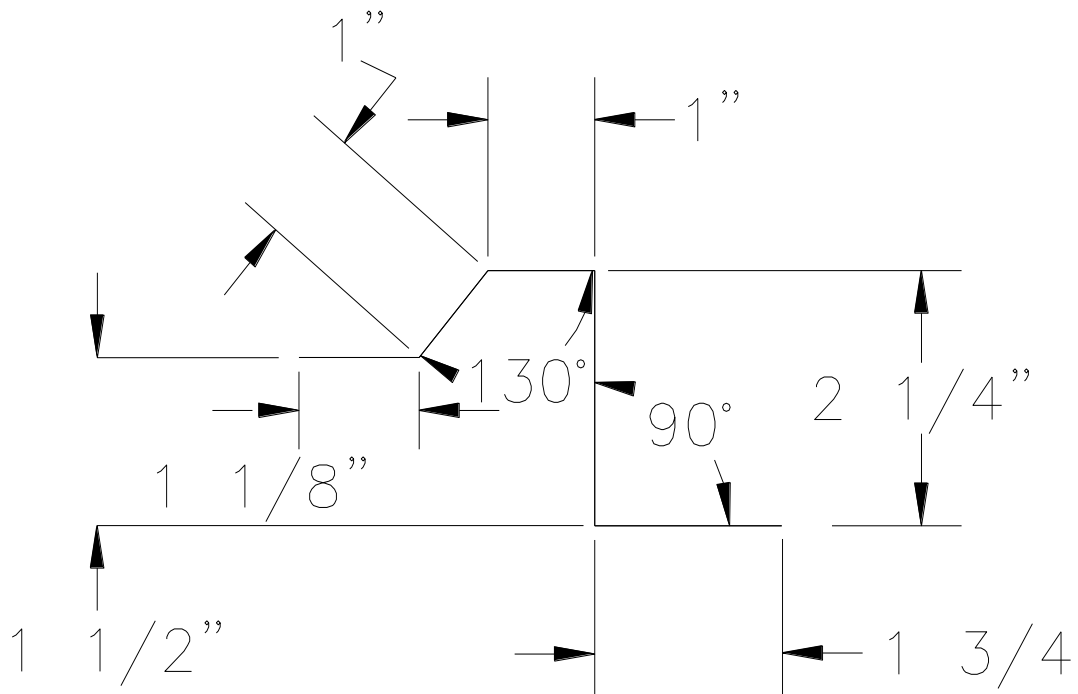
1	95°
2	100°
3	105°
4	110°



EAVE ANGLE (L2X5X18G)

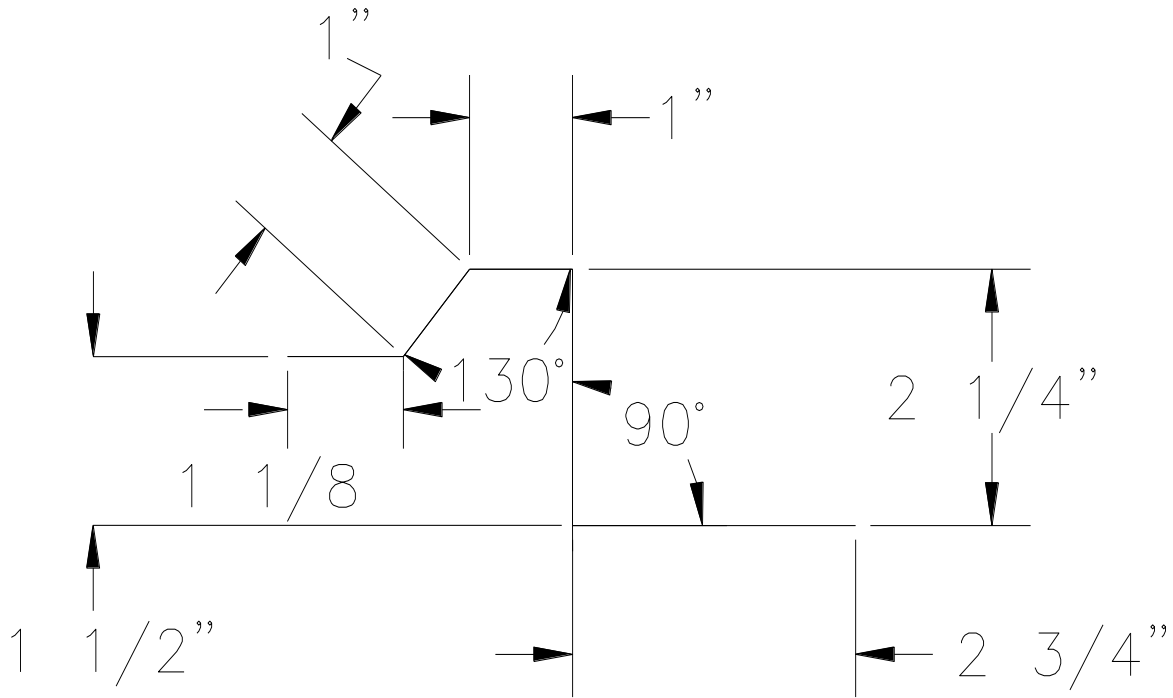
GIRTH = 7"
18 GA. GALVANIZED MATERIAL

[Menu](#)



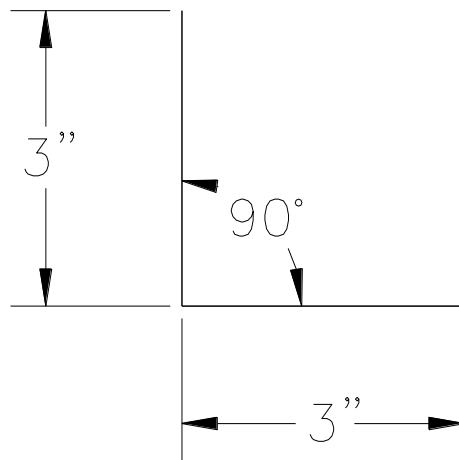
DIE-FORMED BASE (DFB)

GIRTH = 7"
18 GA. GALVANIZED MATERIAL



DIE-FORMED BASE (DFBL)

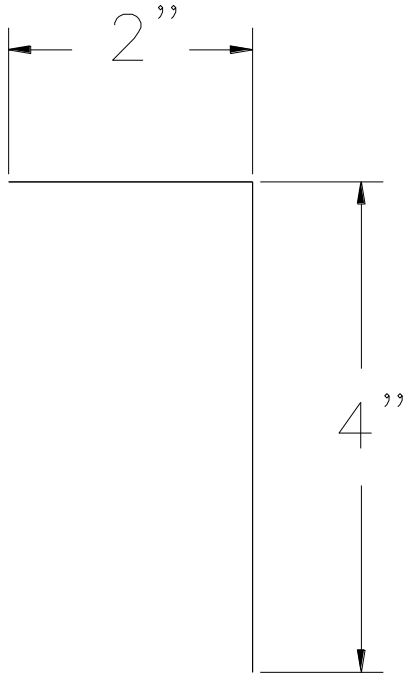
GIRTH = 8"
18 GA. GALVANIZED MATERIAL



3" x 3" BASE ANGLE (L3X3X16)

GIRTH = 6"
**16 GA. RED OXIDE

**Consult Factory For Availability Of Galvanized Material
Or Other Gauges.

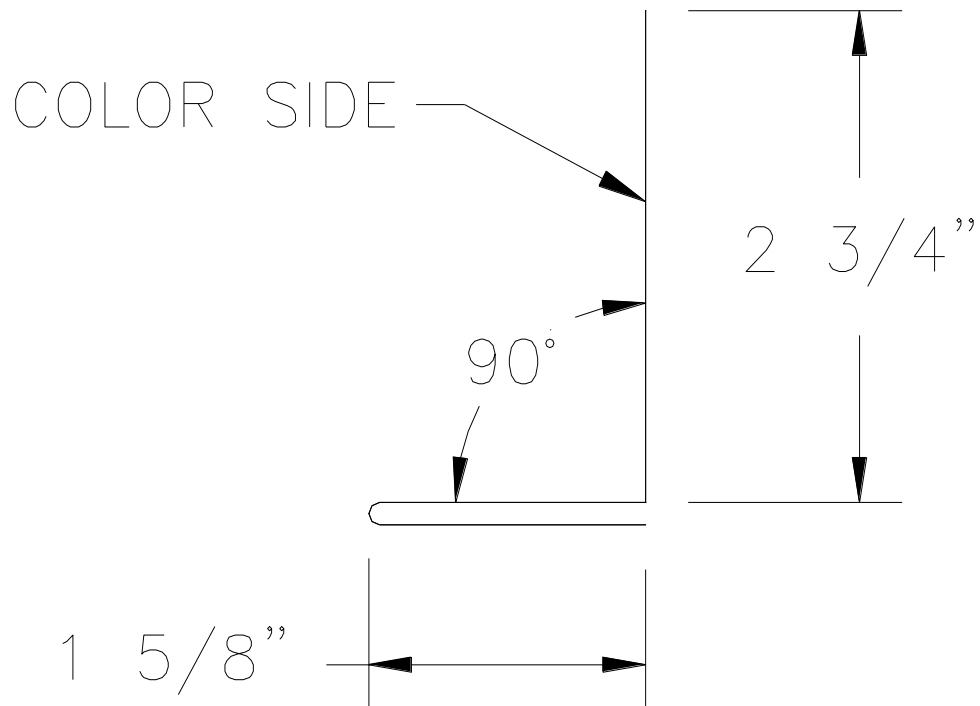


RAKE ANGLE (L2X4X16)

GIRTH = 6''

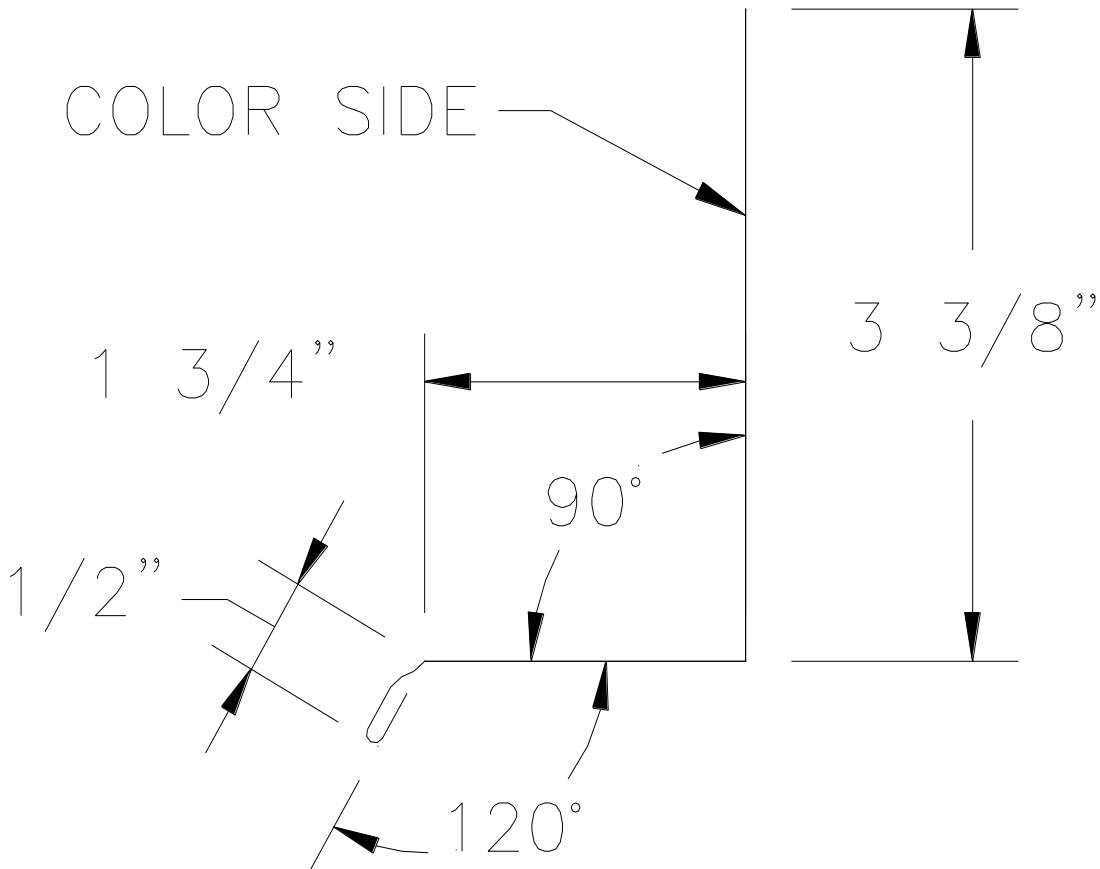
**16 GA. RED OXIDE

**Consult Factory For Availability Of Galvanized Material
Or Other Gauges.



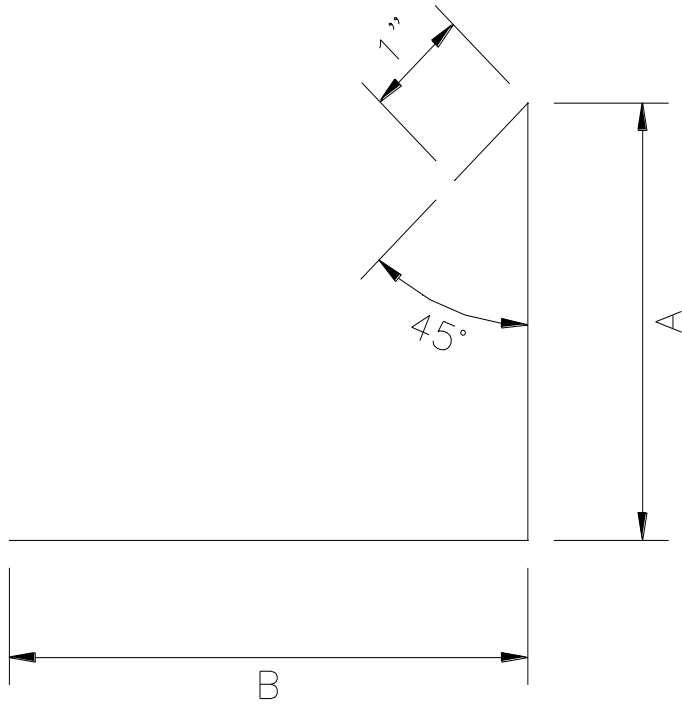
BASE TRIM FULL HEM (#761)

GIRTH = 6"
GAUGE = 26
L = 3



BASE TRIM MASONRY (#771)

GIRTH = 6"
GAUGE = 26
L = 3



POUR STOP (#791)

GIRTH = 10"

GAUGE = 16

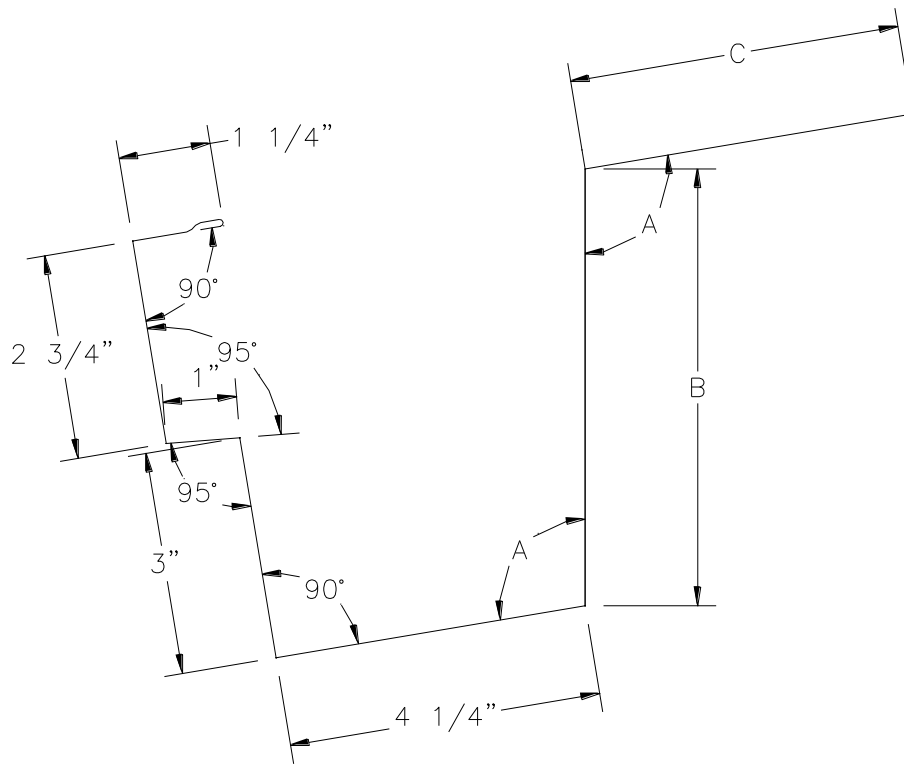
COLOR: GALVANIZED

LENGTH: 20'-6" STANDARD

EXAMPLE:

791 POUR STOP AXB

791 POUR STOP 4"X5 1/2"



GUTTER TABLE			
ROOF SLOPE	A	B	C
0.0:12	90°	5 7/8"	4 1/2"
0.5:12	92°	5 7/8"	4 1/2"
1.0:12	95°	5 7/8"	4 1/2"
2.0:12	99°	5 7/8"	4 1/2"
3.0:12	104°	6"	4 3/8"
4.0:12	108°	6 1/8"	4 1/4"
5.0:12	113°	6 3/8"	4"

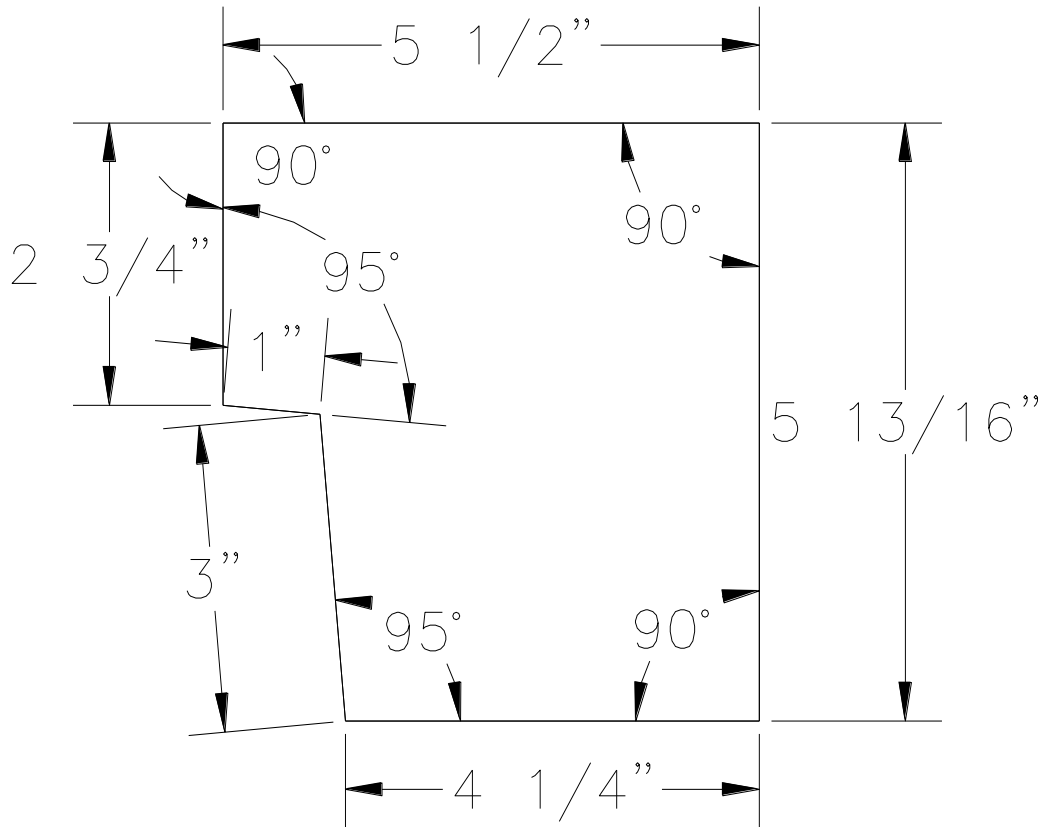
EAVE GUTTER (#811)

COMMERCIAL FLASHING

GIRTH = 24"

GAUGE = 26

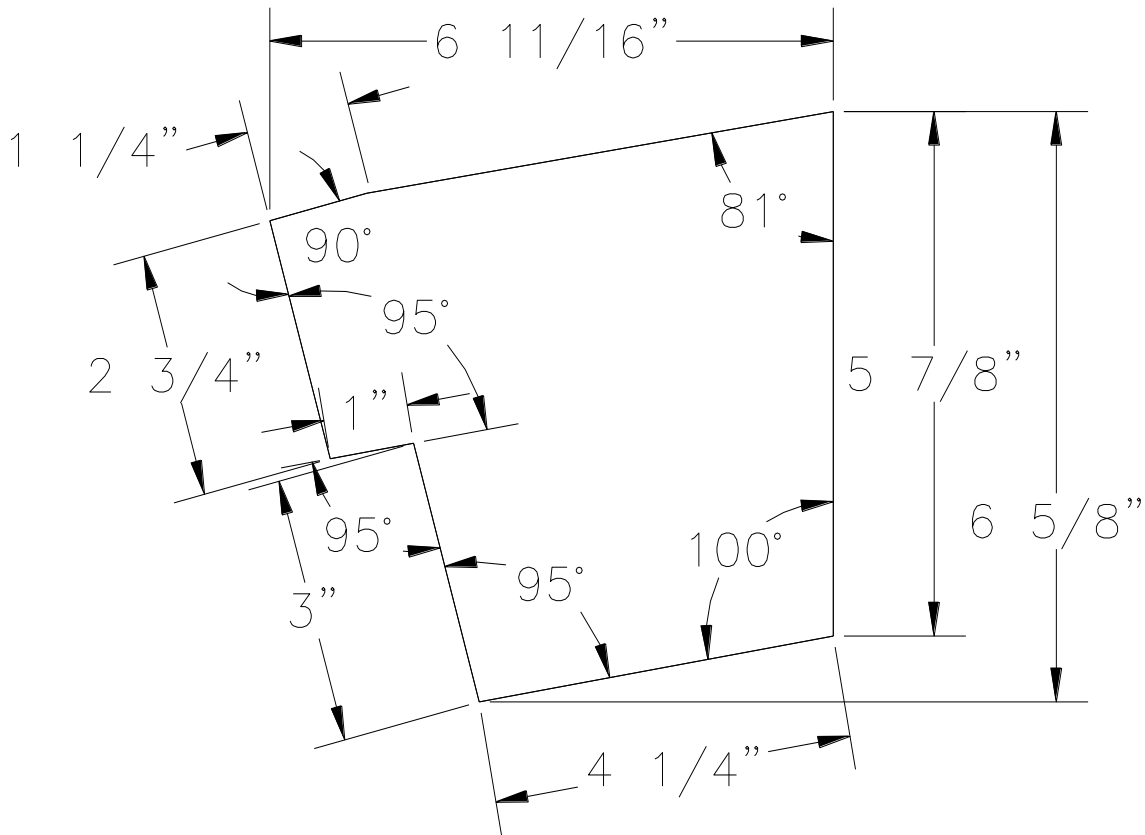
L = 8



GUTTER END CAP LEFT (#821-1)

GUTTER END CAP RIGHT (#831-1)

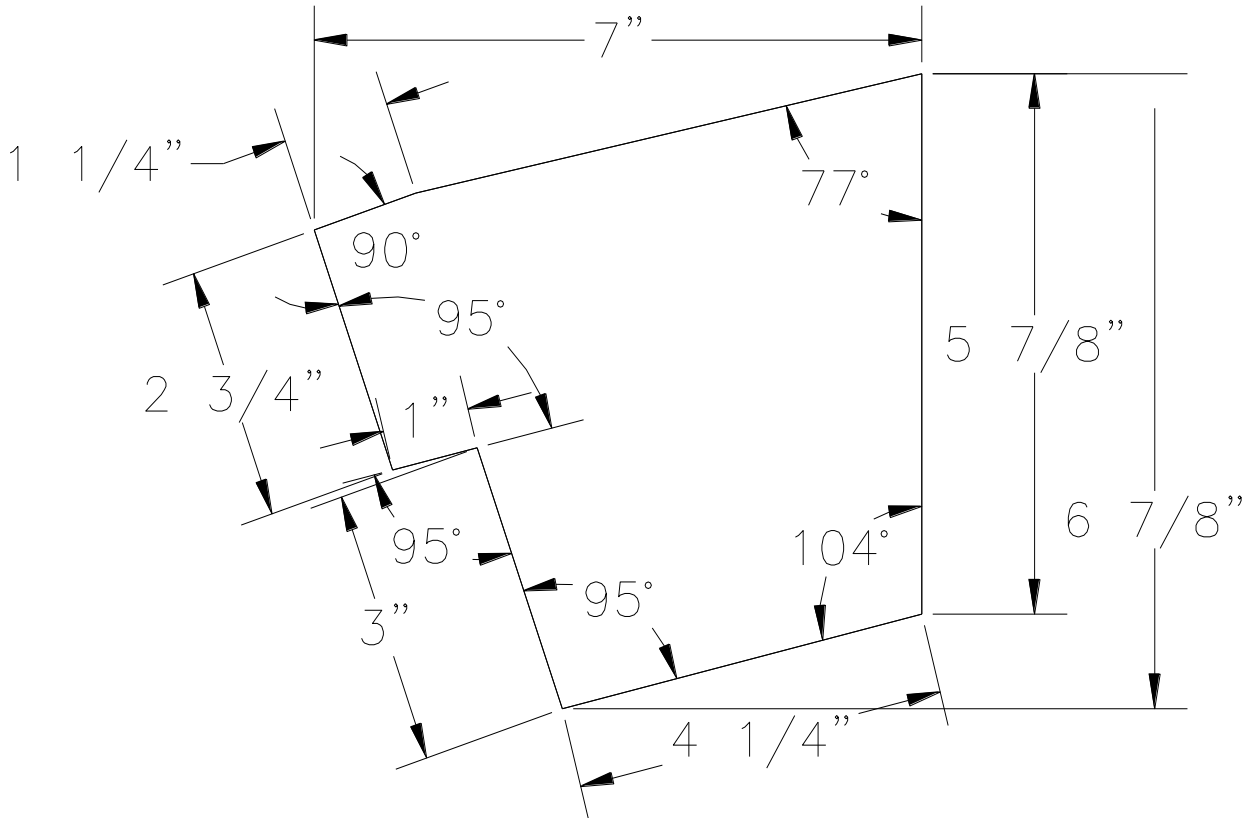
COMMERCIAL FLASHING
GIRTH = 6 5/16" x 6 1/2"
GAUGE = 26



GUTTER END CAP LEFT (#821-2)

GUTTER END CAP RIGHT (#831-2)

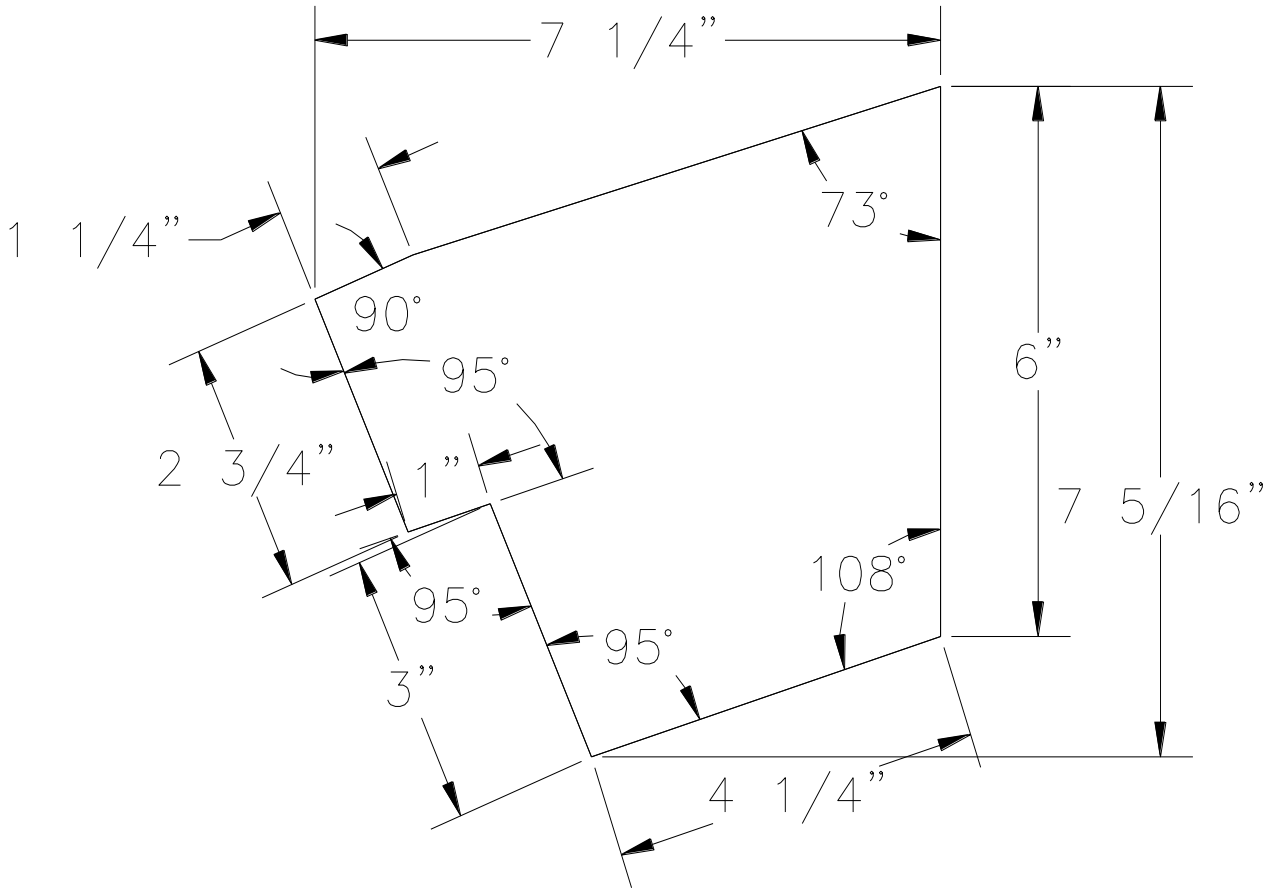
COMMERCIAL FLASHING
GIRTH = $7 \frac{1}{8}$ " x $7 \frac{11}{16}$ "
GAUGE = 26



GUTTER END CAP LEFT (#821-3)

GUTTER END CAP RIGHT (#831-3)

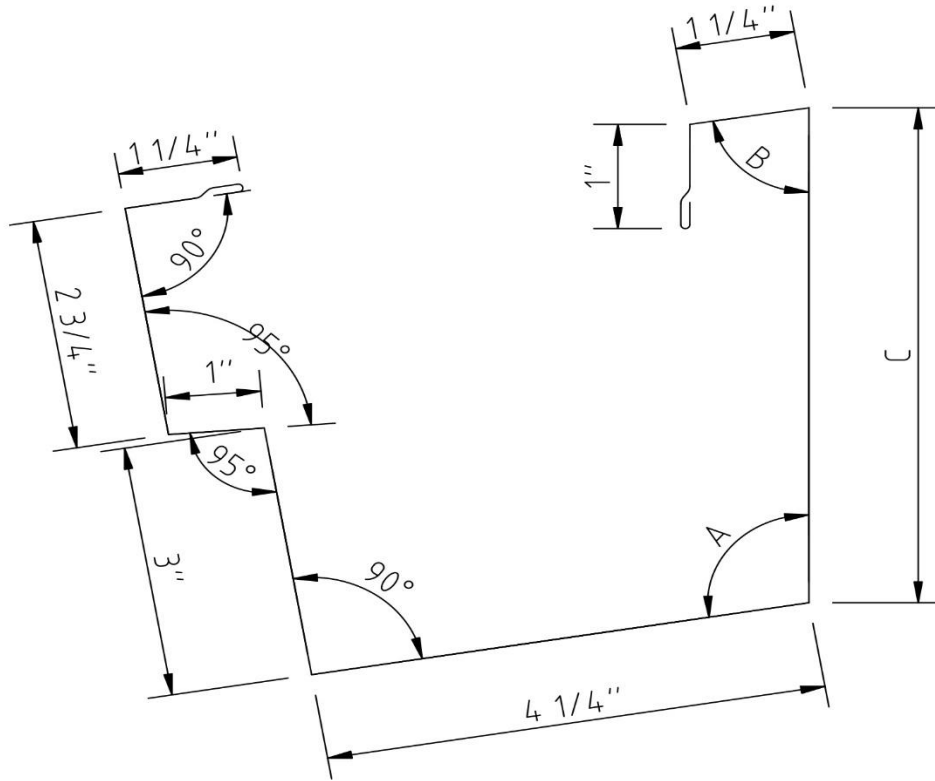
COMMERCIAL FLASHING
GIRTH = 7 3/8" x 8"
GAUGE = 26



GUTTER END CAP LEFT (#821-4)

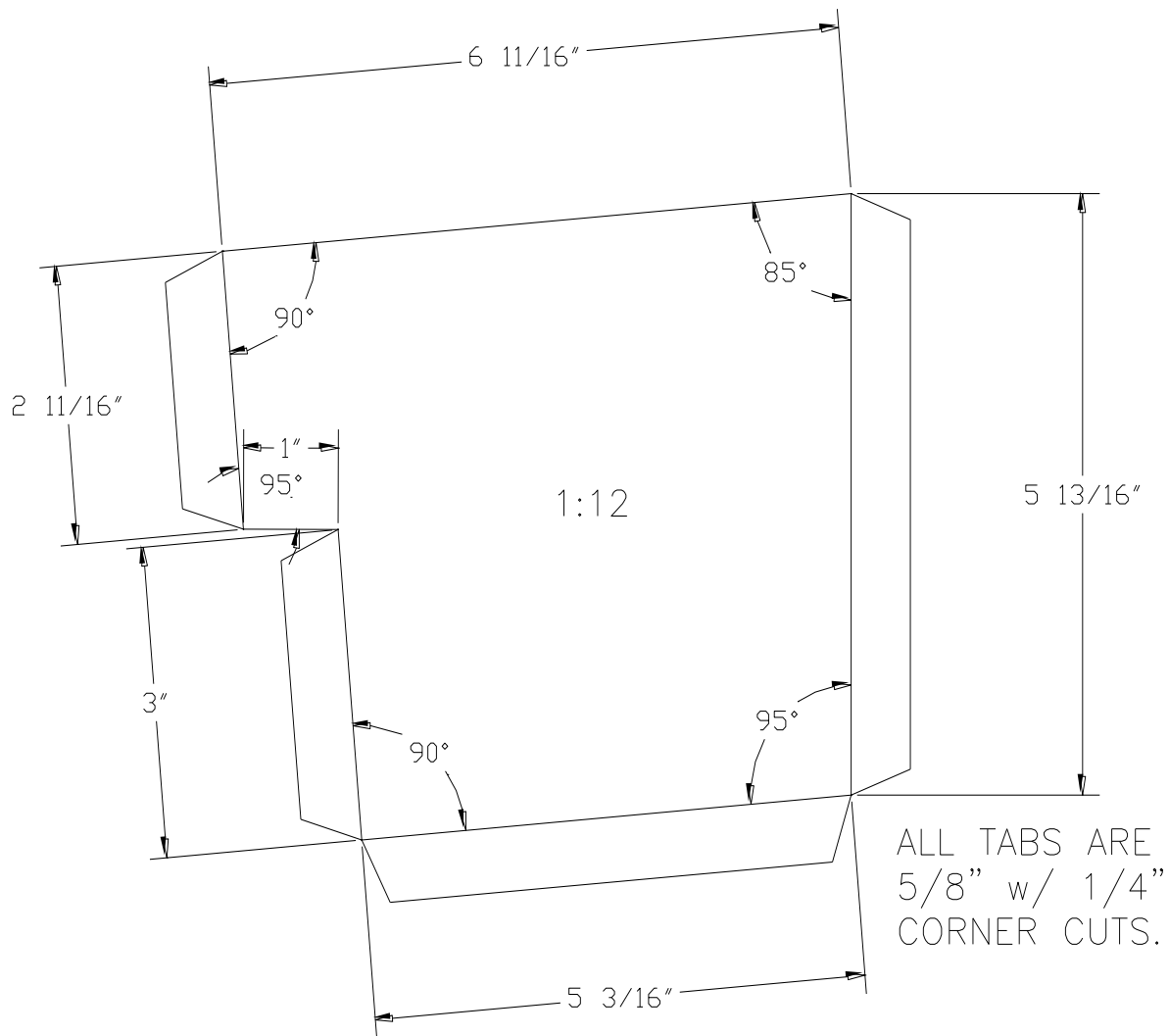
GUTTER END CAP RIGHT (#831-4)

COMMERCIAL FLASHING
GIRTH = 7 13/16" x 8 1/4"
GAUGE = 26



GUTTER TABLE				
ROOF SLOPE	A	B	C	GIRTH
0.0:12	90 /	90 /	5 7/8"	2 1/4"
0.5:12	92 /	88 /	5 7/8"	2 1/4"
1.0:12	95 /	85 /	5 7/8"	2 1/4"
2.0:12	99 /	81 /	5 15/16"	2 1/4"
3.0:12	104 /	76 /	6"	2 1/4"
4.0:12	108 /	72 /	6 1/8"	2 1/4"
5.0:12	113 /	67 /	6 5/16"	2 1/4"

EAVE GUTTER (#841)
 COMMERCIAL FLASHING
 GIRTH = SEE TABLE
 GAUGE = 26
 L = 8



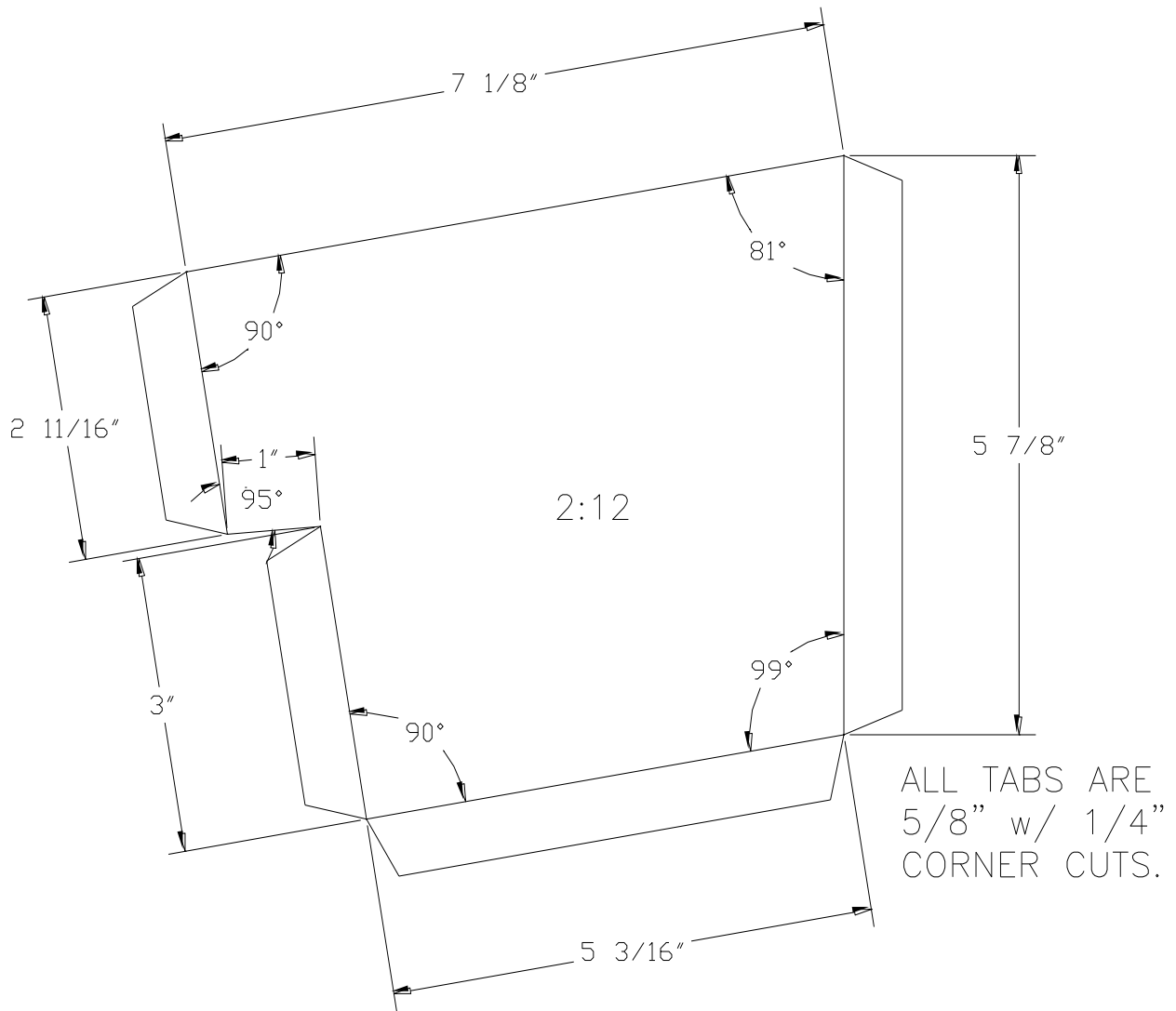
GUTTER END CAP LEFT (#841CL-1)

GUTTER END CAP RIGHT (#841CR-1)

COMMERCIAL FLASHING

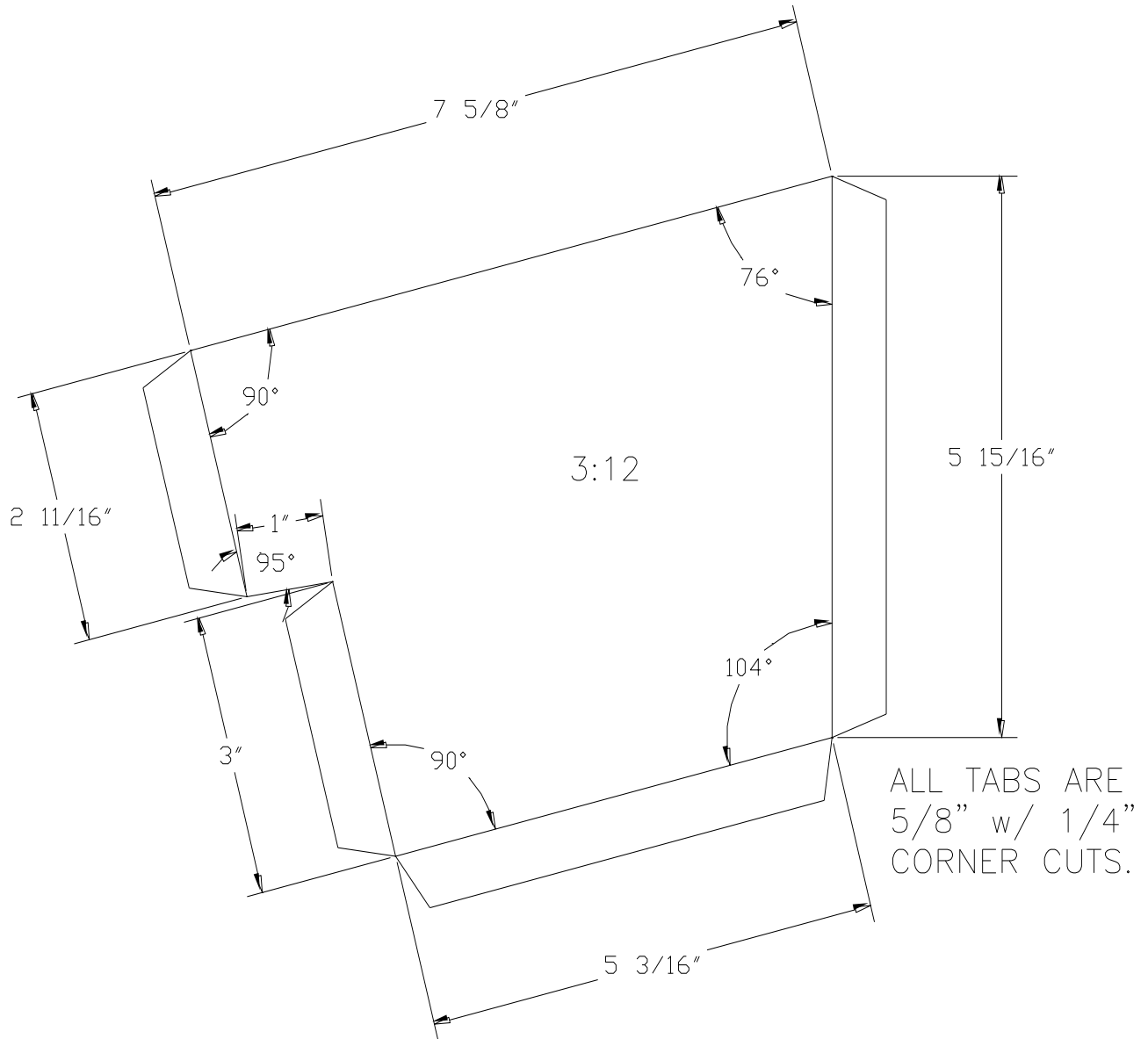
GIRTH = 7 7/8" x 6 13/16"

GAUGE = 26



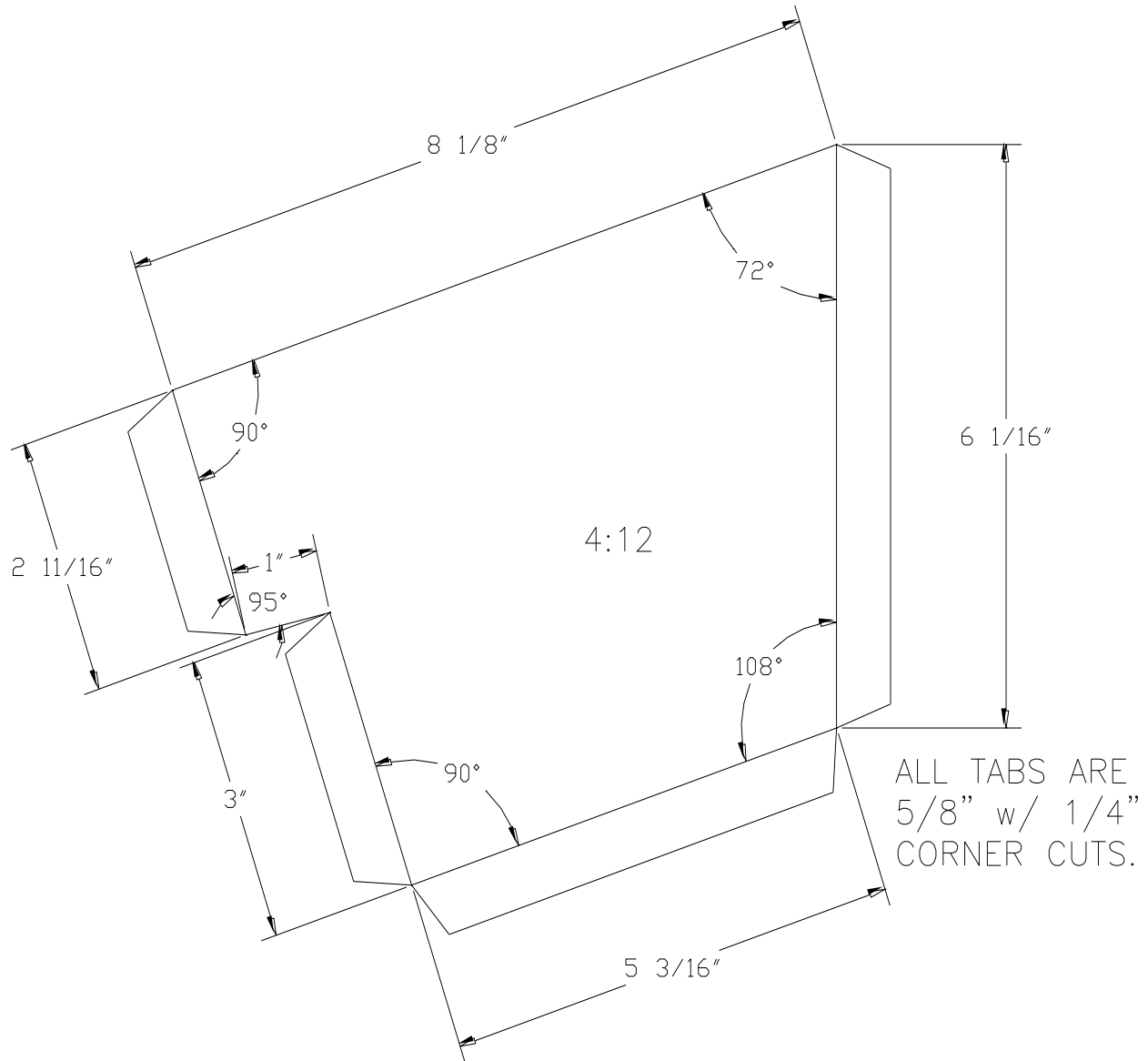
GUTTER END CAP LEFT (#841CL-2)
GUTTER END CAP RIGHT (#841CR-2)

COMMERCIAL FLASHING
GIRTH = 8 1/4" x 7 5/16"
GAUGE = 26



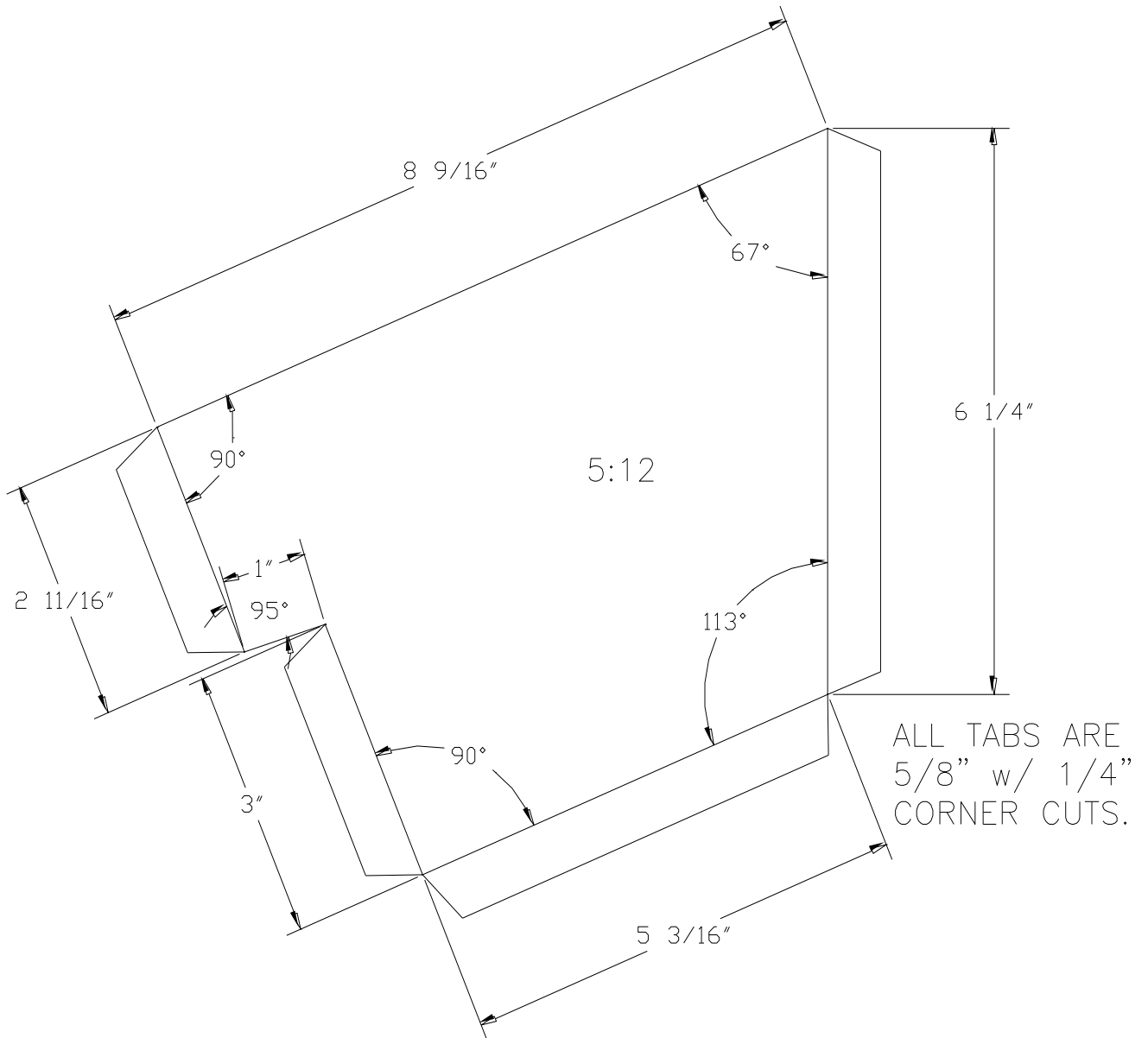
GUTTER END CAP LEFT (#841CL-3)
GUTTER END CAP RIGHT (#841CR-3)

COMMERCIAL FLASHING
GIRTH = 8 9/16" x 7 3/4"
GAUGE = 26



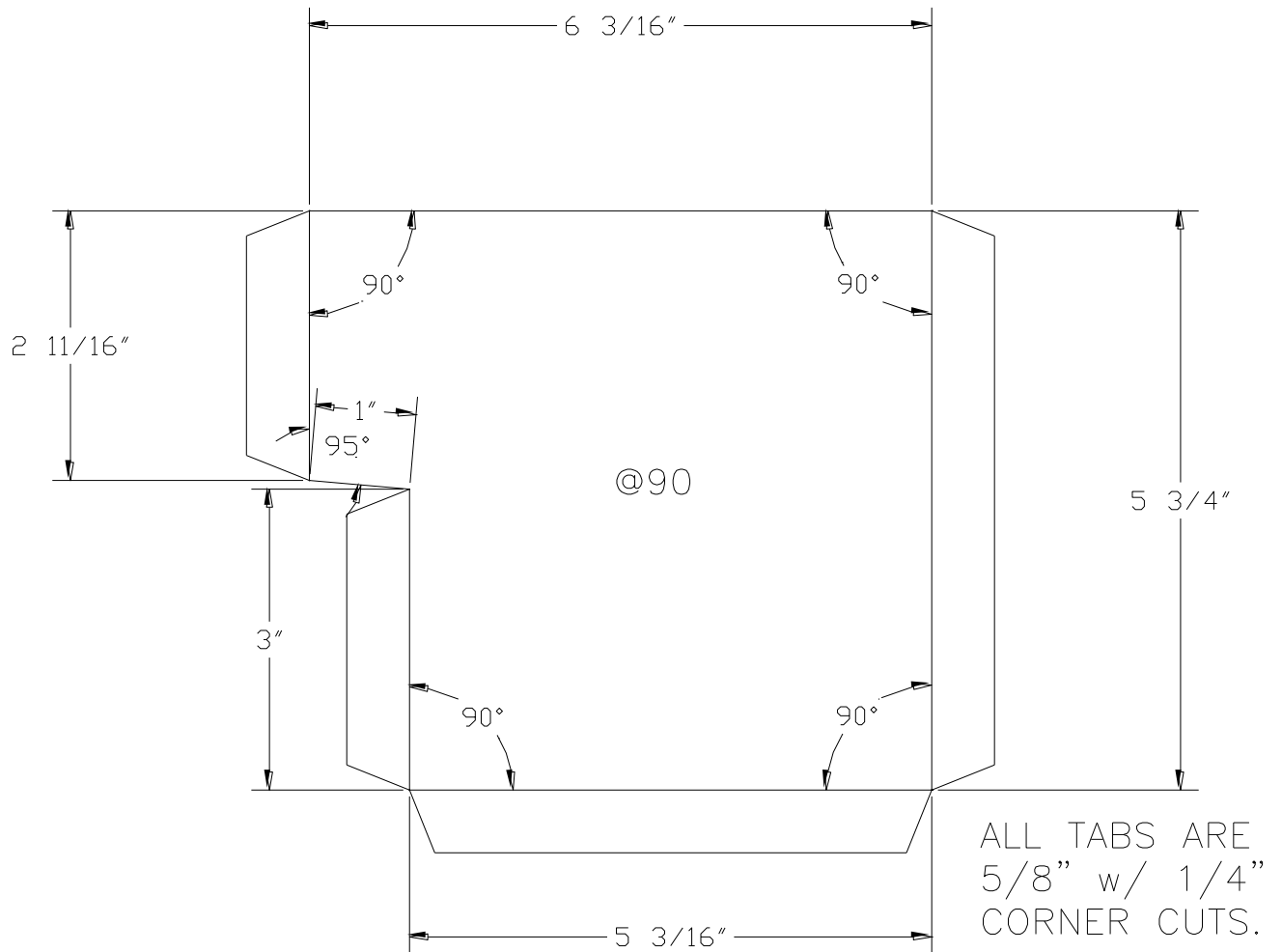
GUTTER END CAP LEFT (#841CL-4)
GUTTER END CAP RIGHT (#841CR-4)

COMMERCIAL FLASHING
GIRTH = $8 \frac{13}{16}"$ x $8 \frac{1}{4}"$
GAUGE = 26



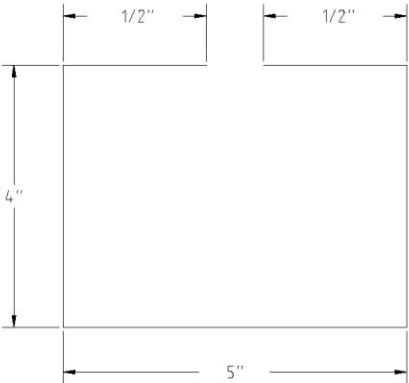
GUTTER END CAP LEFT (#841CL-5)
GUTTER END CAP RIGHT (#841CR-5)

COMMERCIAL FLASHING
GIRTH = $9 \frac{1}{16}"$ x $8 \frac{3}{4}"$
GAUGE = 26

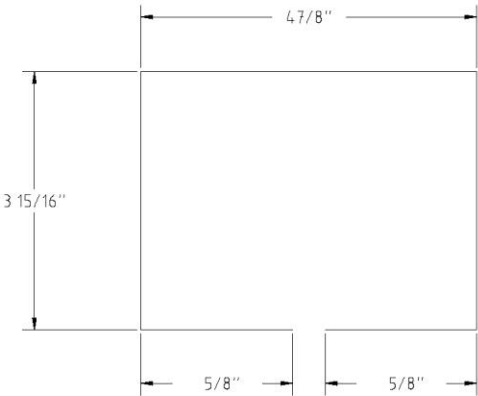


GUTTER END CAP LEFT (#841CL-90)
GUTTER END CAP RIGHT (#841CR-90)

COMMERCIAL FLASHING
GIRTH = $7 \frac{7}{16}$ " x $6 \frac{3}{8}$ "
GAUGE = 26



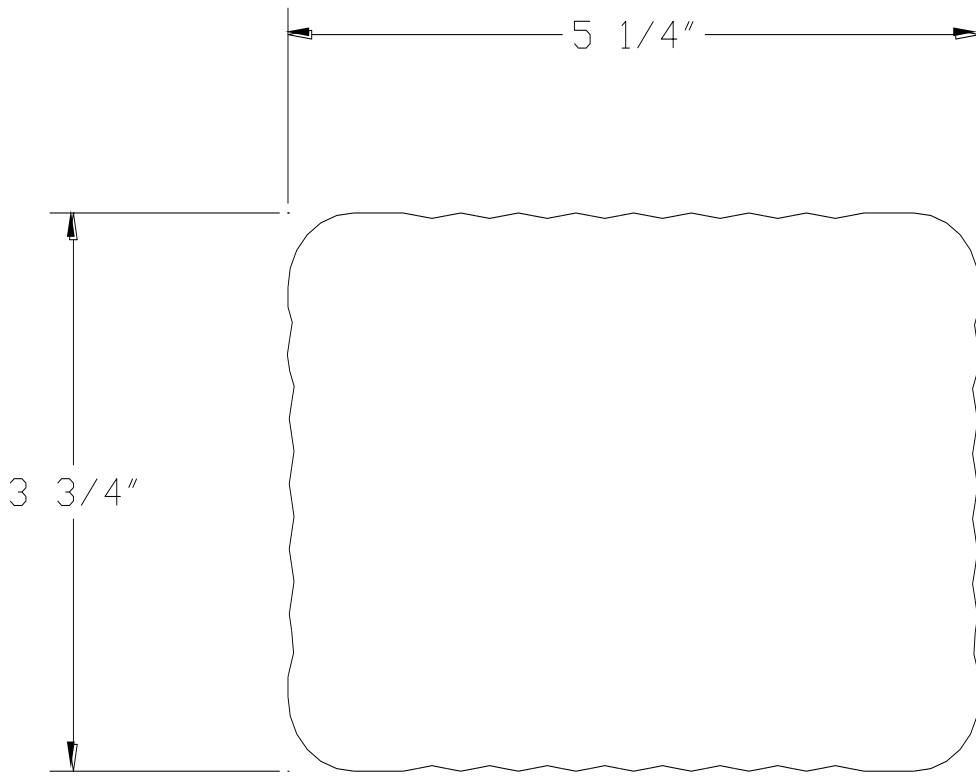
GIRTH = 14"
GAUGE = 26



GIRTH = 14"
GAUGE = 26

DOWN SPOUT (#851)

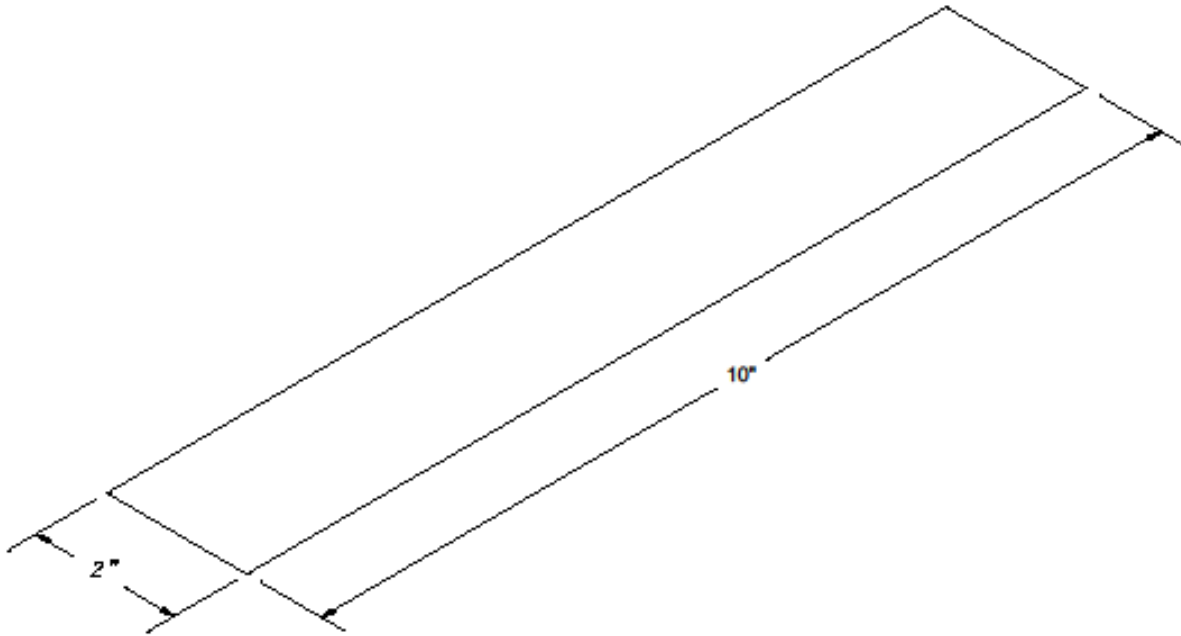
GIRTH = 14"
GAUGE = 26"



DOWNSPOUT (#851N)

GIRTH = 17 5/8"

GUAGE = 26"

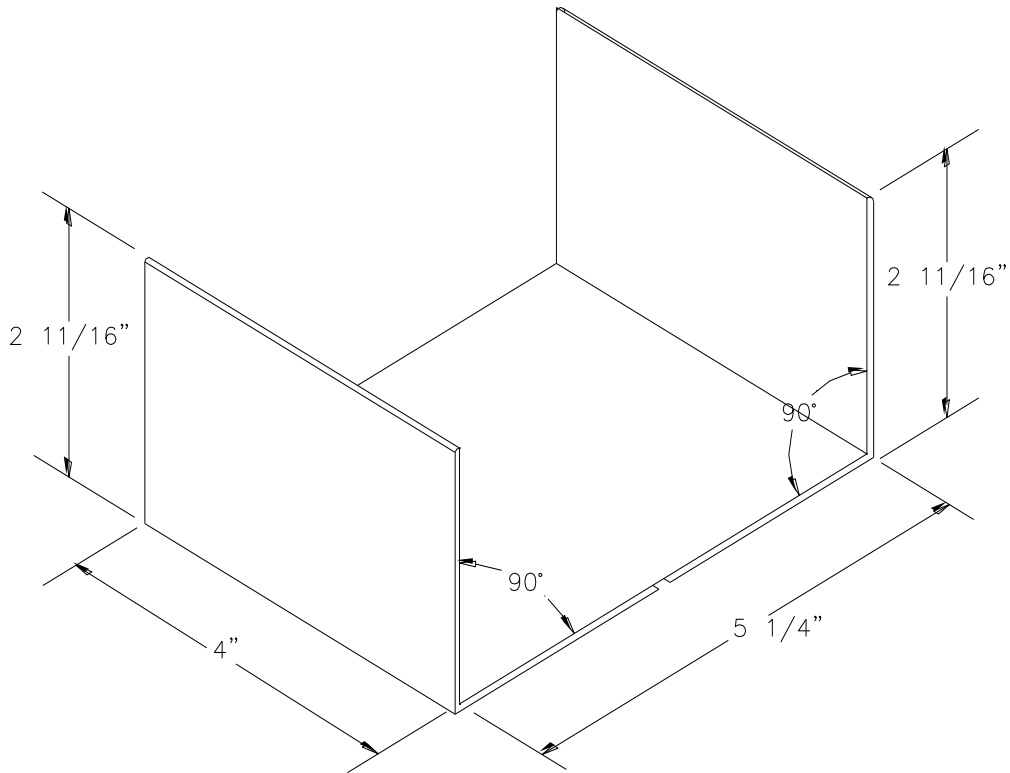
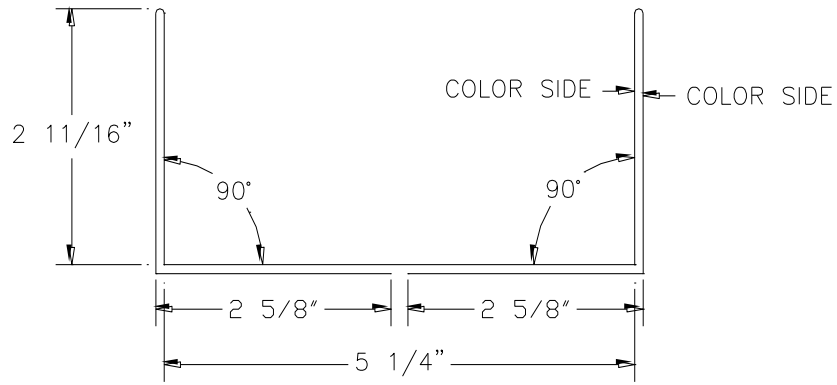


GUTTER STRAP (#861)

1" x 10"

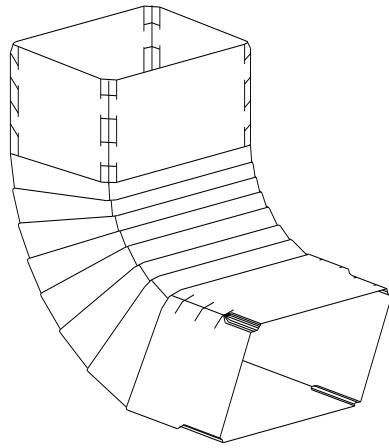
GIRTH = 2"

GAUGE = 24 GALVALUME

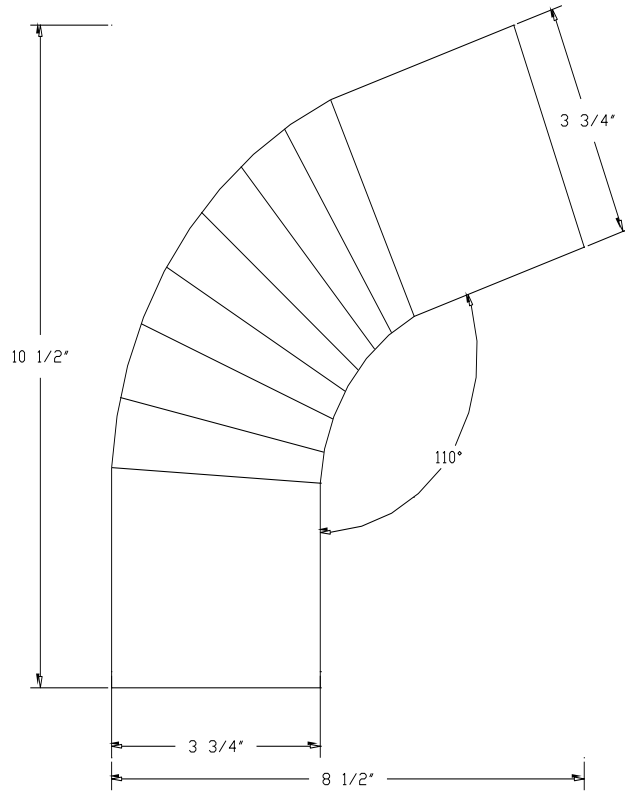


DOWN SPOUT STRAP (#871)

GIRTH = $21 \frac{1}{4}$ "
GAUGF = 26 GA.

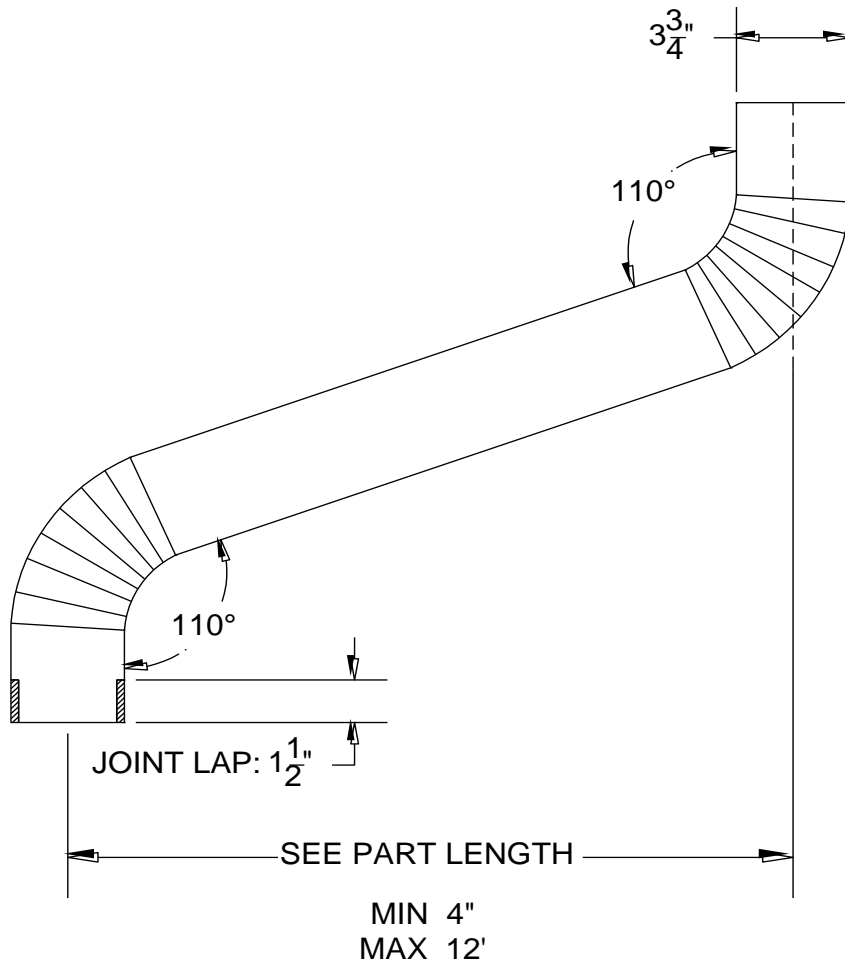


JOINT LAP = 1 1/2"



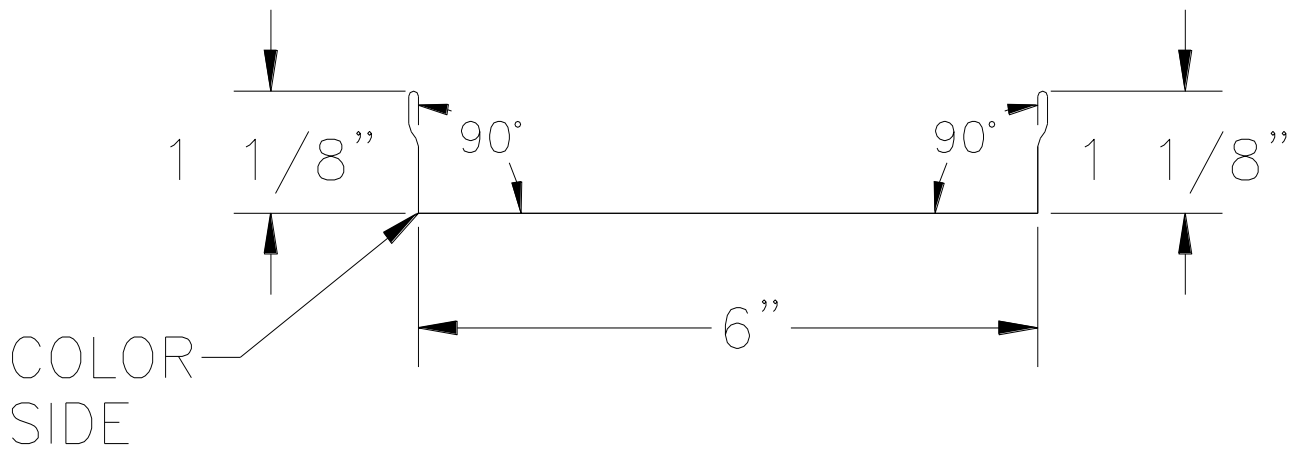
DOWN SPOUT ELBOW (#881A)

GIRTH = 17 5/8"
GAUGE = 26 GA.



DOWNSPOUT EXTENSION JOINT (881D)

GIRTH: $17\frac{5}{8}$ "
GAUGE: 26

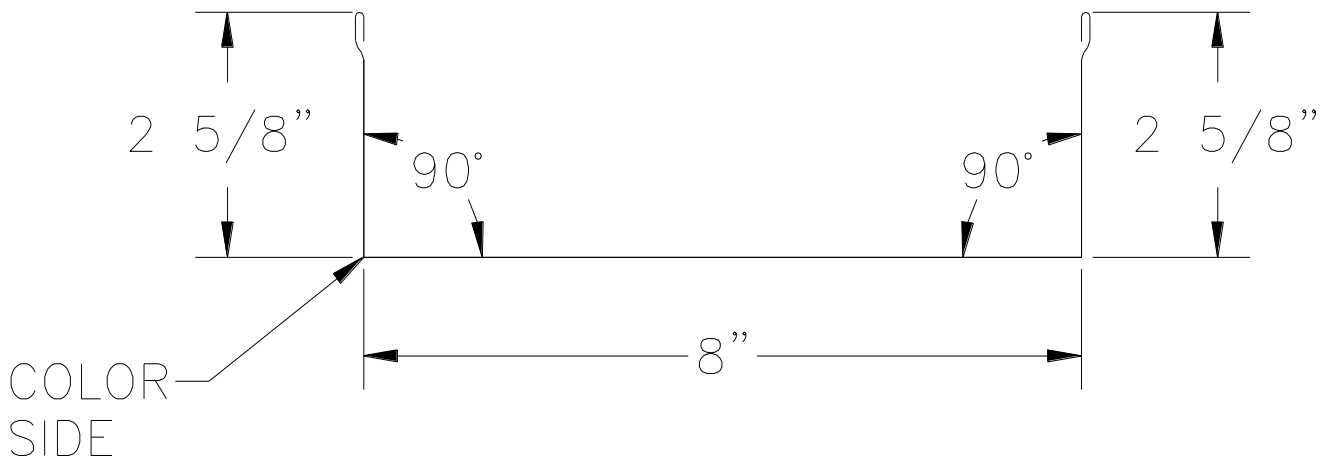


6" PURLIN CLOSURE (#901)

COMMERCIAL FLASHING

GIRTH = 9"

GAUGE = 26

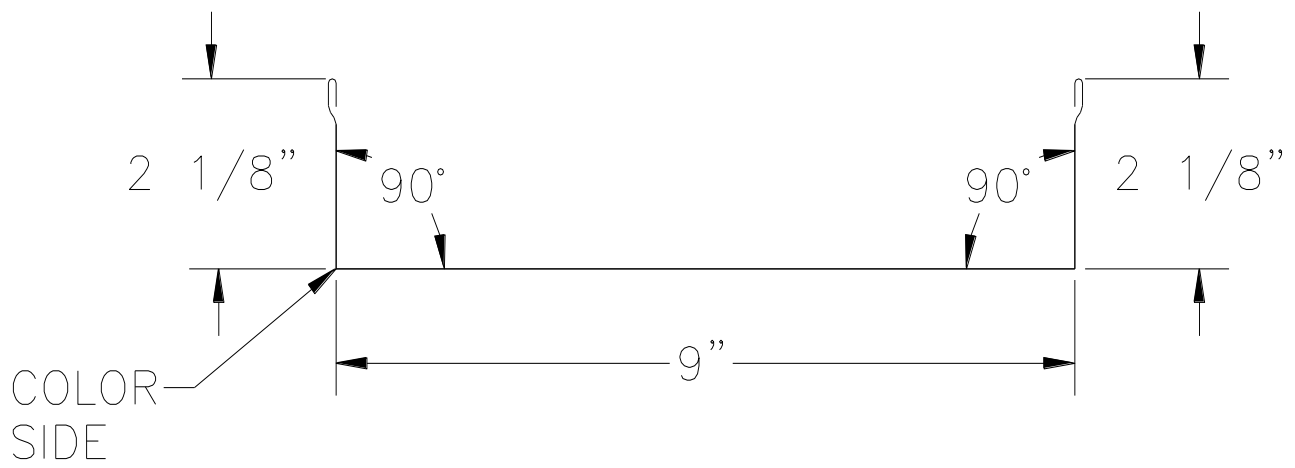


8" PURLIN CLOSURE (#931)

COMMERCIAL FLASHING

GIRTH = 14"

GAUGE = 26

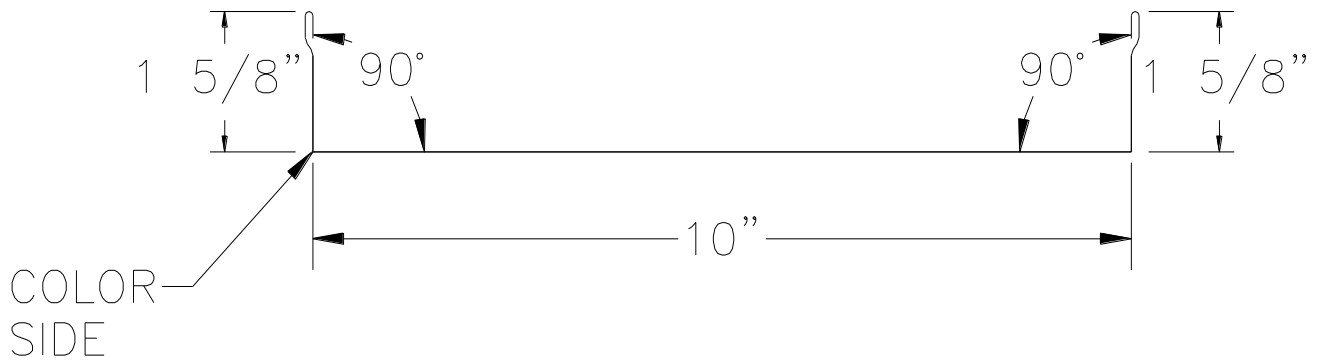


9" PURLIN CLOSURE (#911)

COMMERCIAL FLASHING

GIRTH = 14"

GAUGE = 26

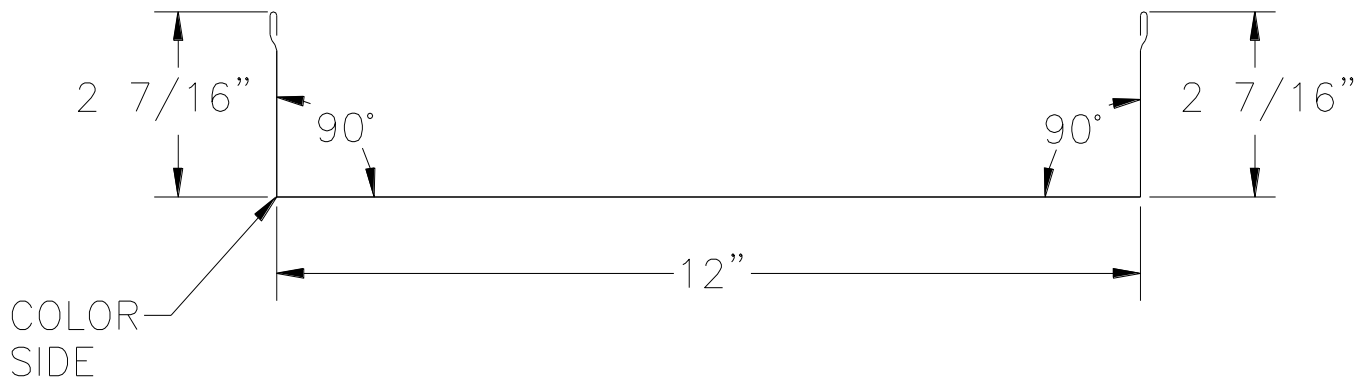


10" PURLIN CLOSURE (#941)

COMMERCIAL FLASHING

GIRTH = 14"

GAUGE = 26

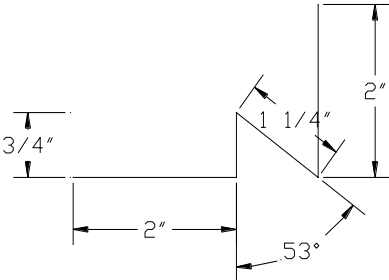


12" PURLIN CLOSURE (#921)

COMMERCIAL FLASHING

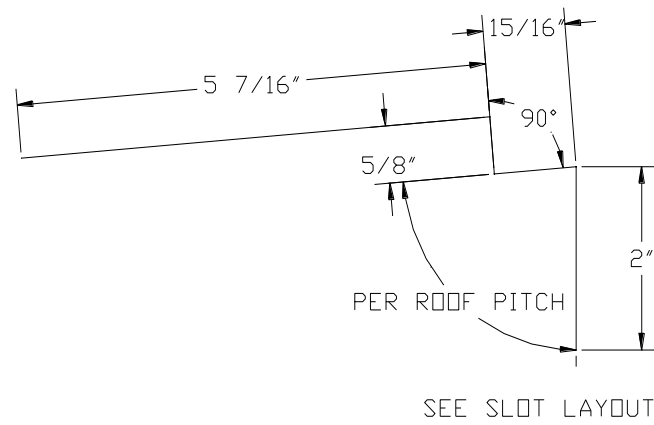
GIRTH = 17 5/8"

GAUGE = 26



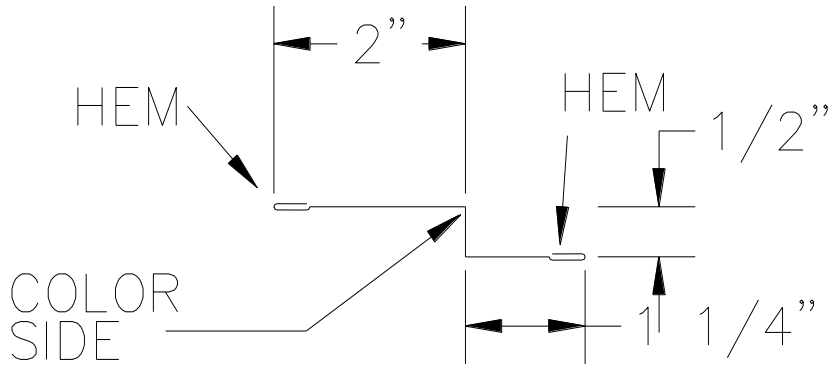
IH-B INSULATION HANGER BASE

GIRTH = 6"
GAUGE = 24"
COLOR = GALVALUME



IH-E INSULATION HANGER EAVE

GIRTH = 9"
GAUGE = 24"
COLOR = GALVALUME

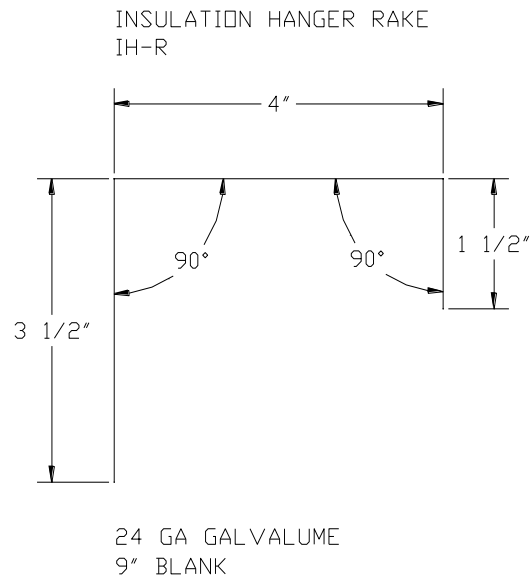


IH-H FULL CAVITY H TRIM

GIRTH = 4 1/2"

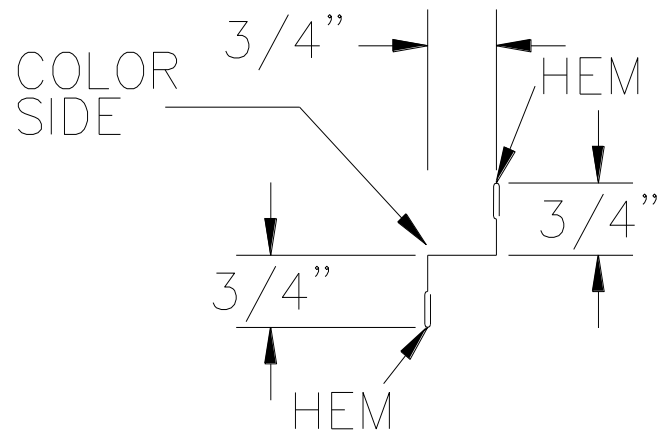
GAUGE = 26

COLOR = POLAR WHITE



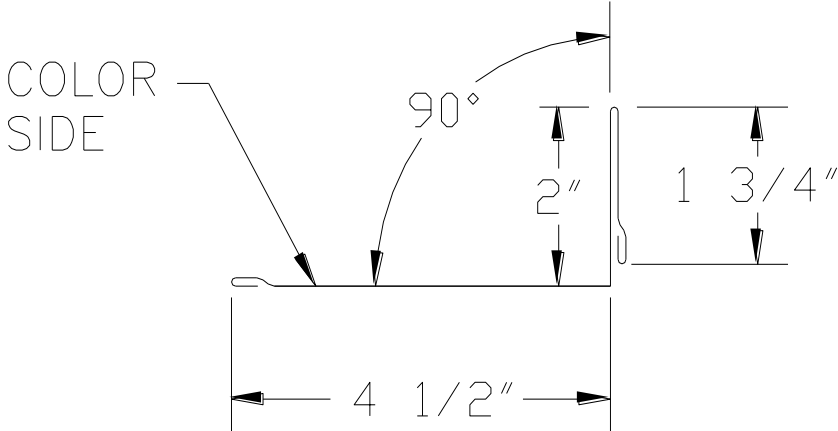
IH-R INSULATION HANGER RAKE

GIRTH = 9"
GAUGE = 24"
COLOR = POLAR WHITE



IH-Z FULL CAVITY Z TRIM

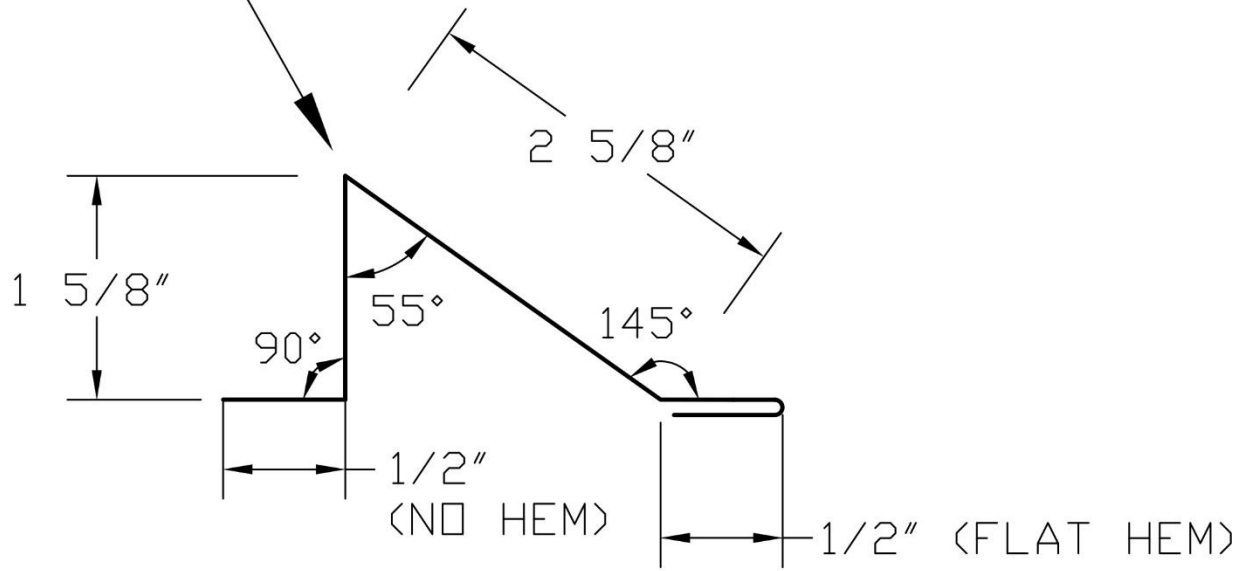
GIRTH = 3"
GAUGE = 26
COLOR = POLAR WHITE



SNOW GUARD COVER ANGLE (#531)

GIRTH = 9"
GAUGE = 26

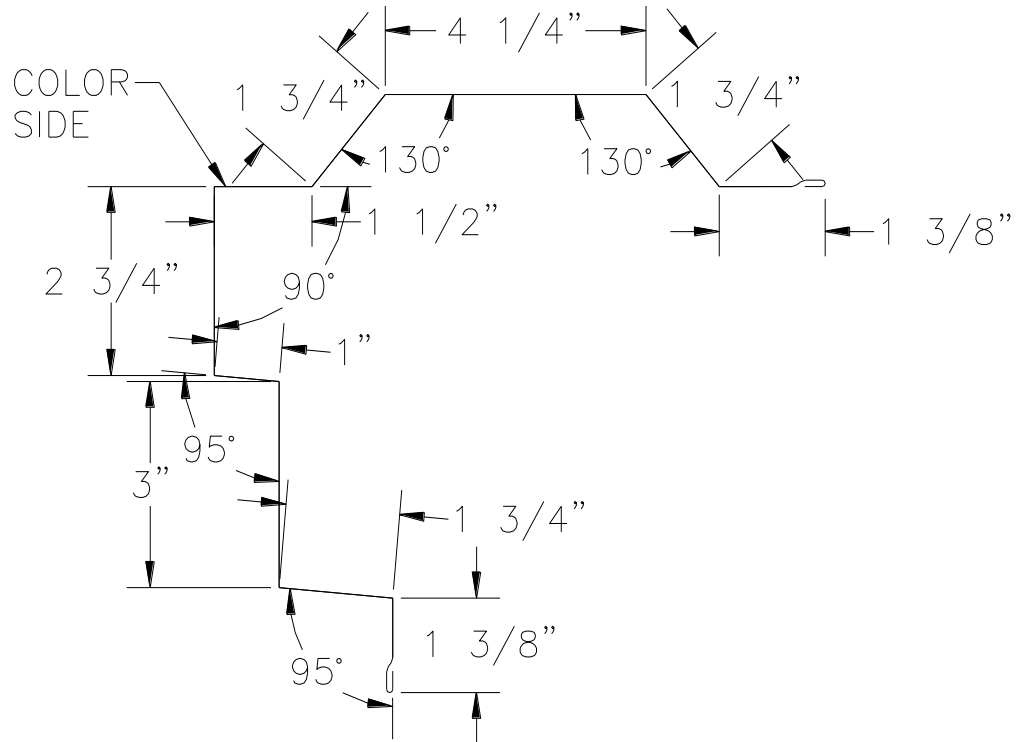
COLOR
SIDE



SNOW GUARD (#521)

GIRTH = 6"
GAUGE = 26

PBR Applications

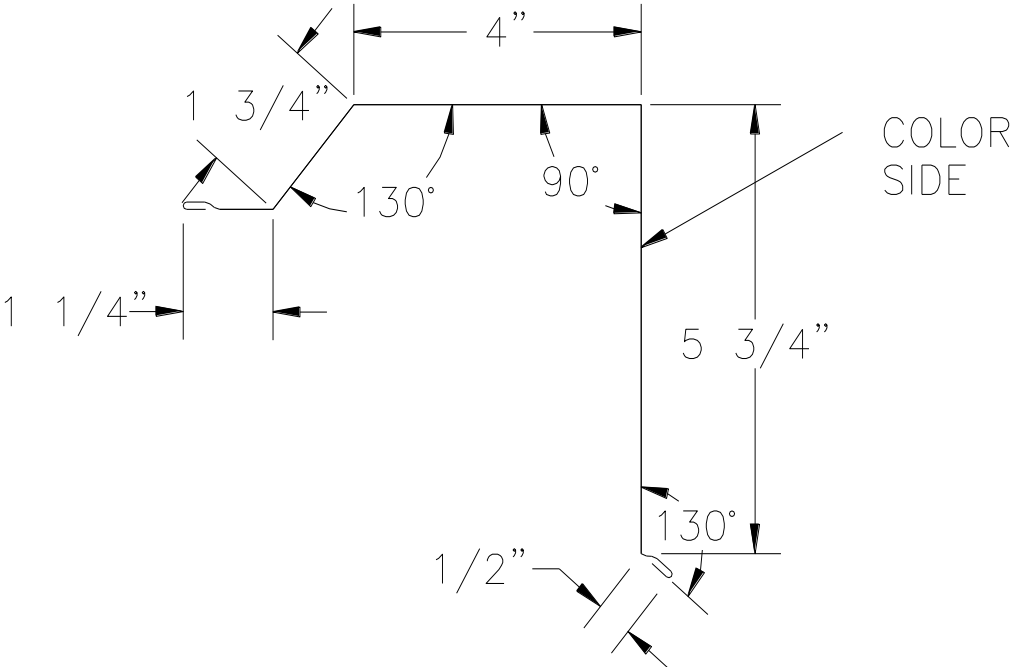


RAKE FACIA (#212)

COMMERCIAL FLASHING

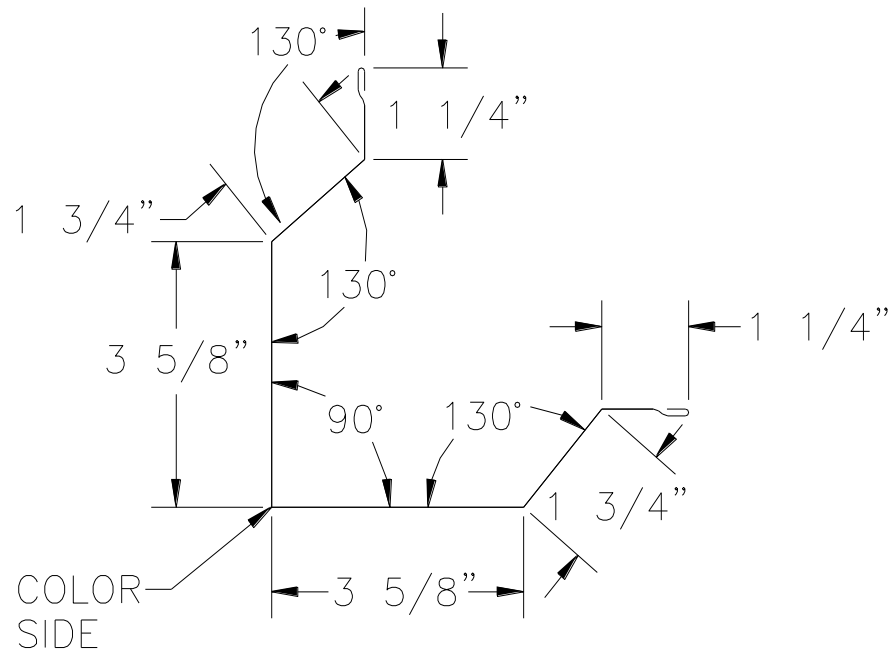
GIRTH = $21 \frac{1}{4}$ "

GAUGE = 26



GABLE TRIM (#222)

COMMERCIAL FLASHING
GIRTH = 14"
GAUGE = 26

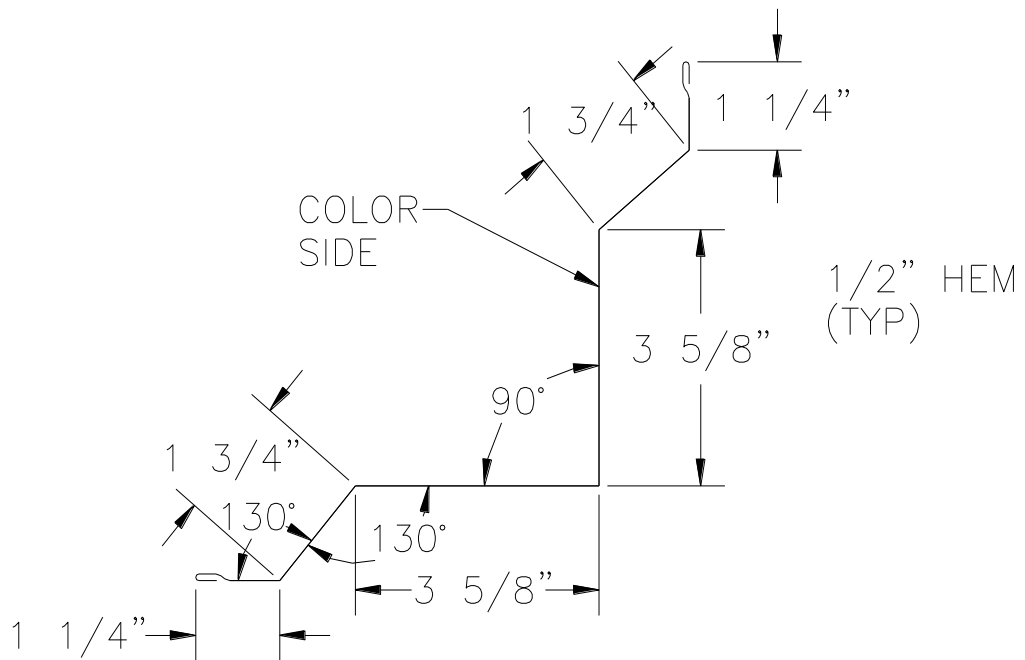


OUTSIDE CORNER (#312)

COMMERCIAL FLASHING

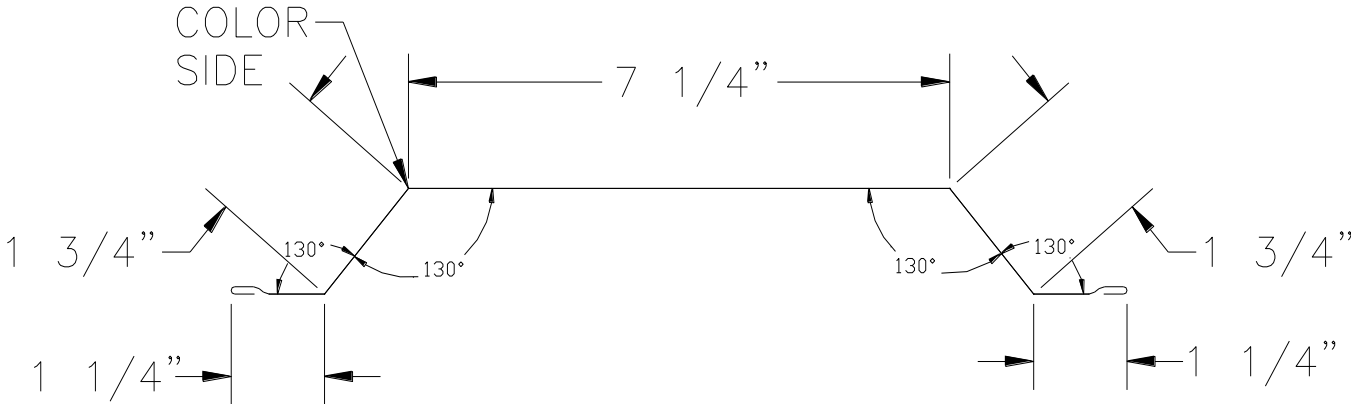
GIRTH = 14"

GAUGE = 26



INSIDE CORNER (#322)

SIMPLE FLASHING
GIRTH = 14"
GAUGE = 26

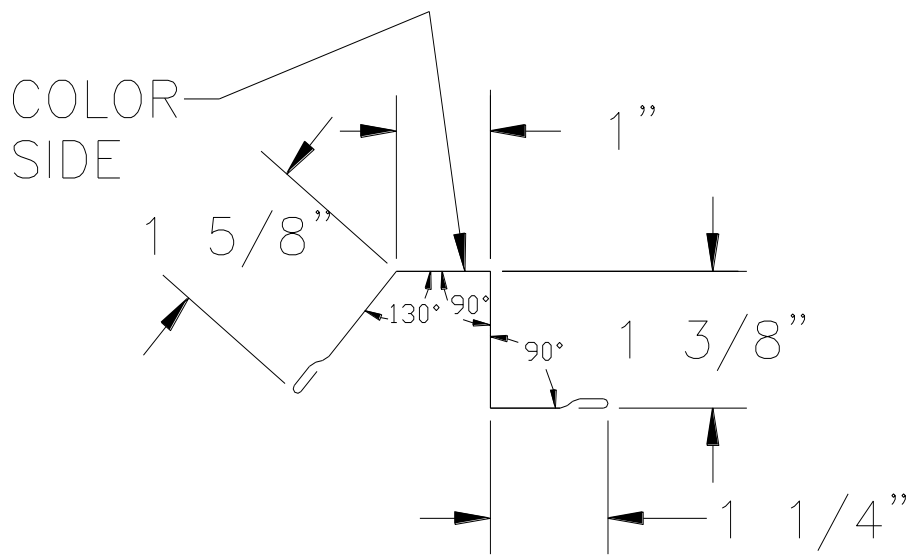


ADAPTOR TRIM (#332)

COMMERCIAL FLASHING

GIRTH = 14"

GAUGE = 26

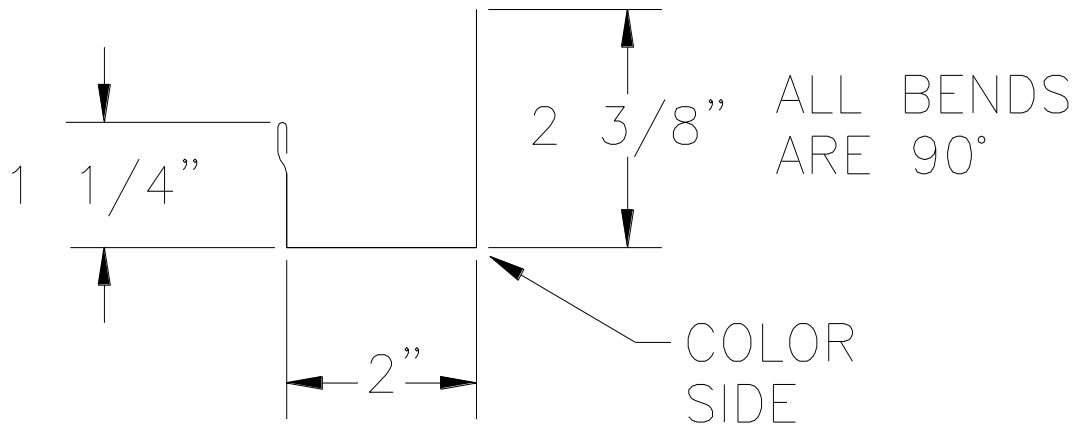


JAMB TRIM (#412)

COMMERCIAL TRIM

GIRTH = 6"

GAUGE = 26

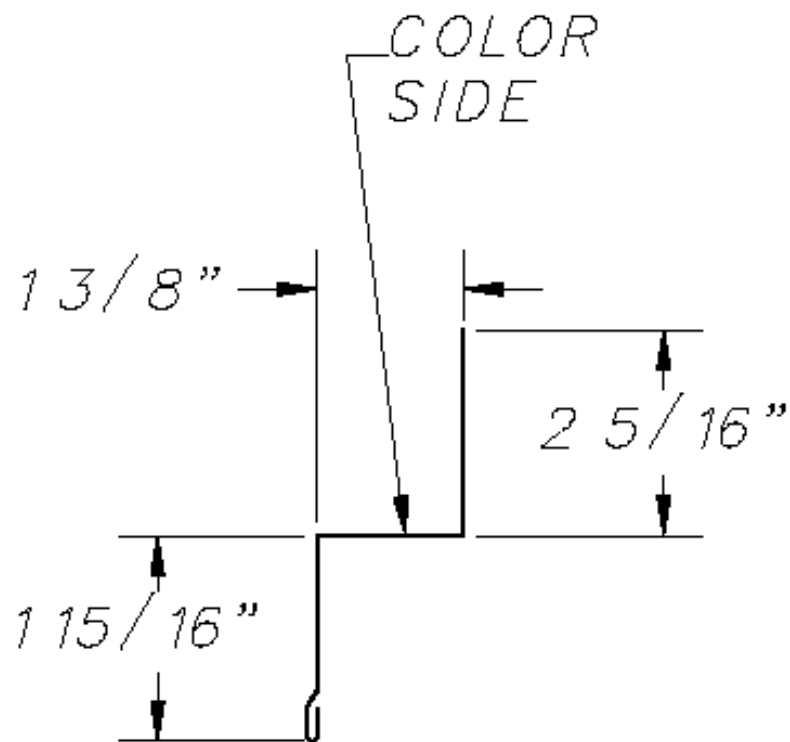


HEADER TRIM (#512)

COMMERCIAL FLASHING

GIRTH = 6"

GAUGE = 26

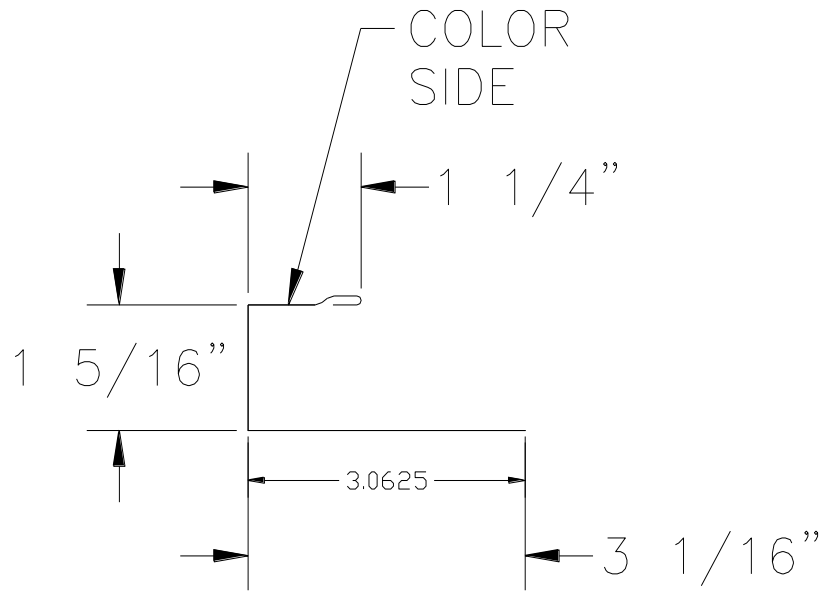


ALL BENDS ARE 90/
ZEE TRIM (#522)

COMMERCIAL FLASHING

GIRTH = 6"

GAUGE = 26



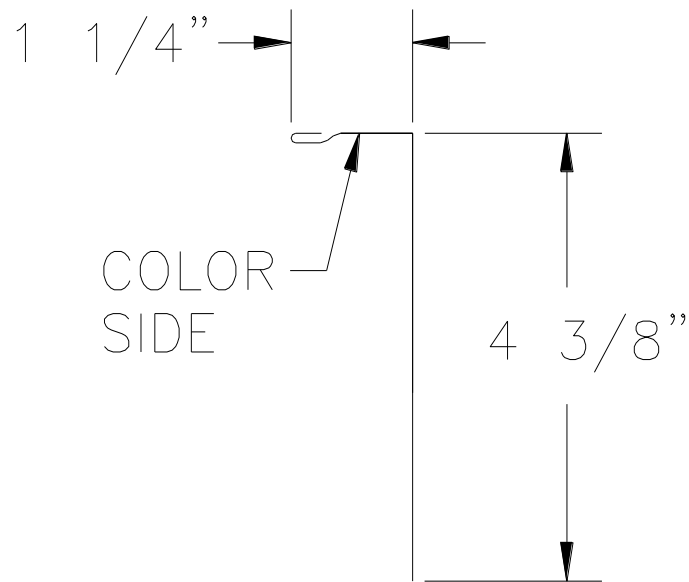
ALL BENDS
ARE 90°

PANEL CAP (#532)

COMMERCIAL FLASHING

GIRTH = 6"

GAUGE = 26

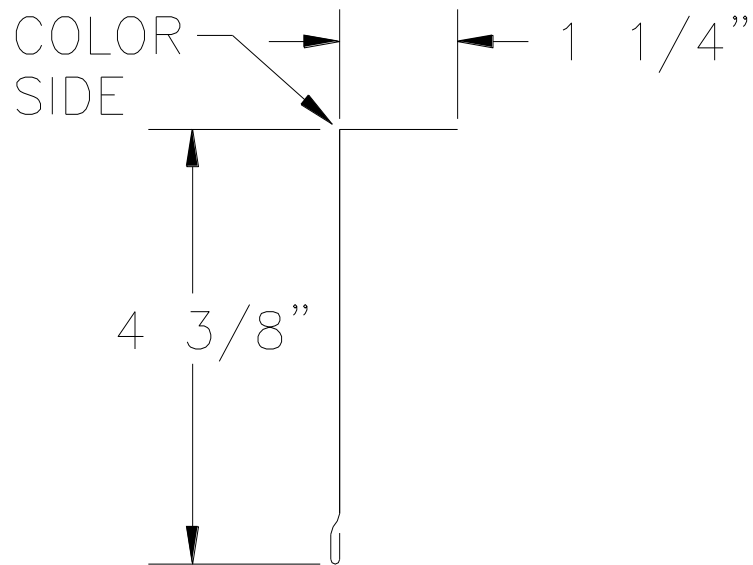


L-TRIM (#542)

COMMERCIAL FLASHING

GIRTH = 6"

GAUGE = 26

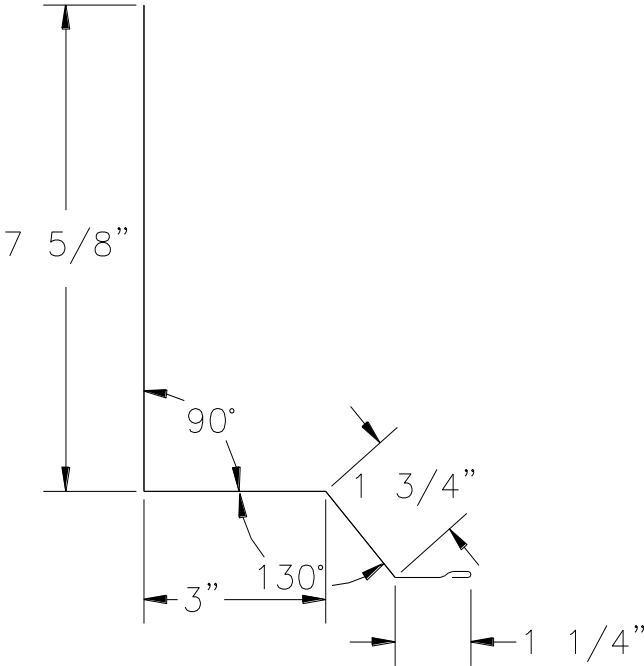


L-TRIM (#552)

COMMERCIAL FLASHING

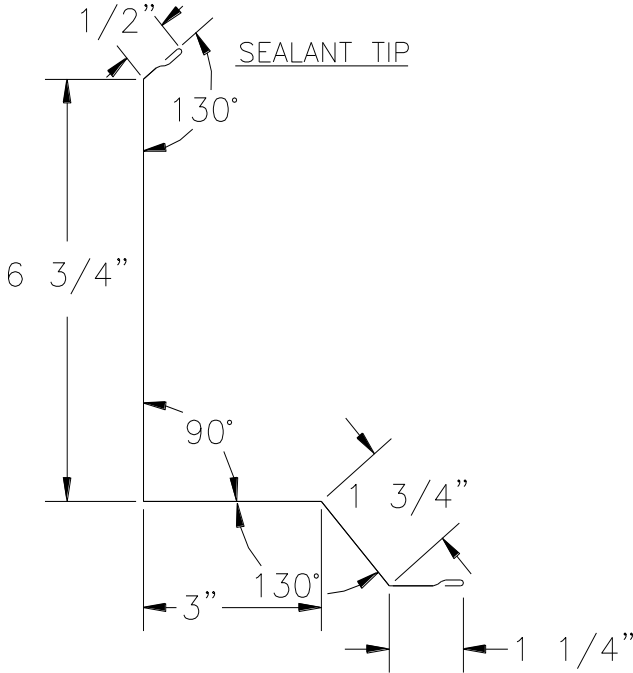
GIRTH = 6"

GAUGE = 26



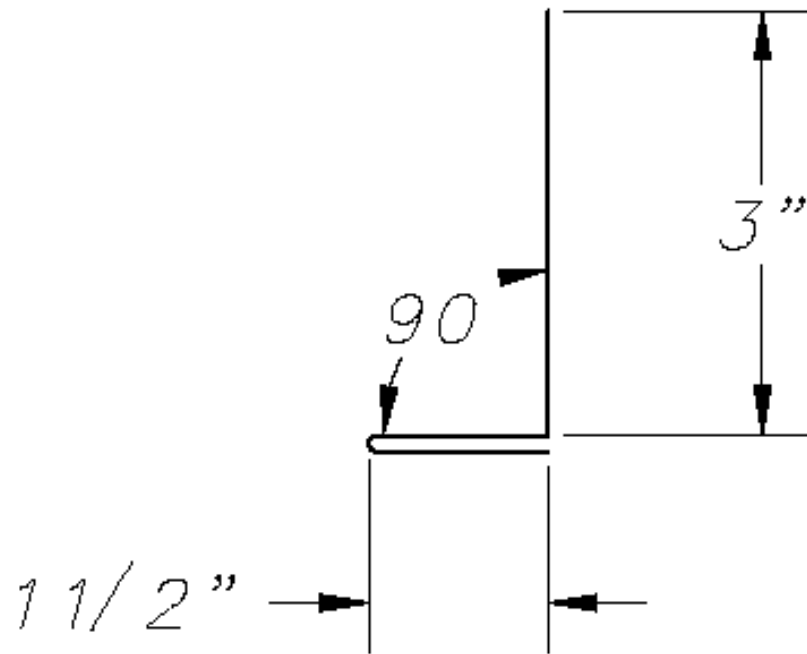
ENDWALL HEIGHT CHANGE (#622)

COMMERCIAL FLASHING
GIRTH = 14 "
GAUGE = 26



ENDWALL HEIGHT CHANGE (#622ST)

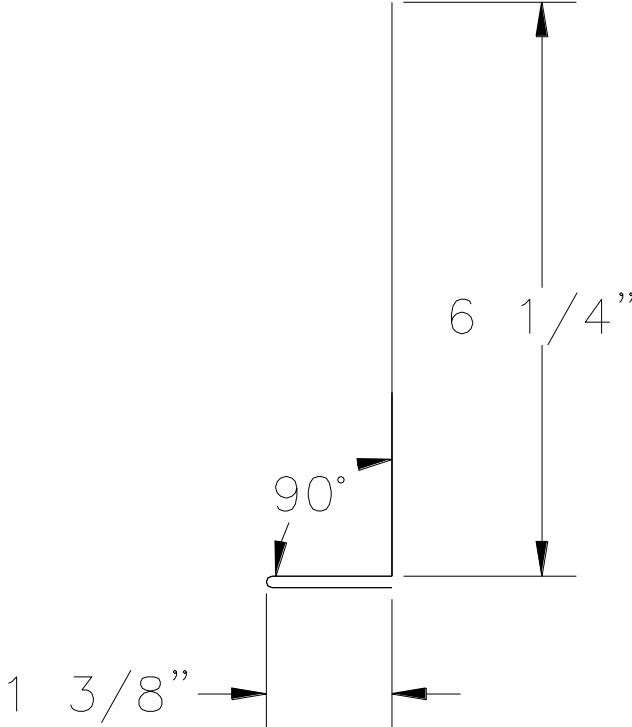
COMMERCIAL FLASHING
GIRTH = 14"
GAUGE = 26



BASE TRIM FULL HEM (#762)

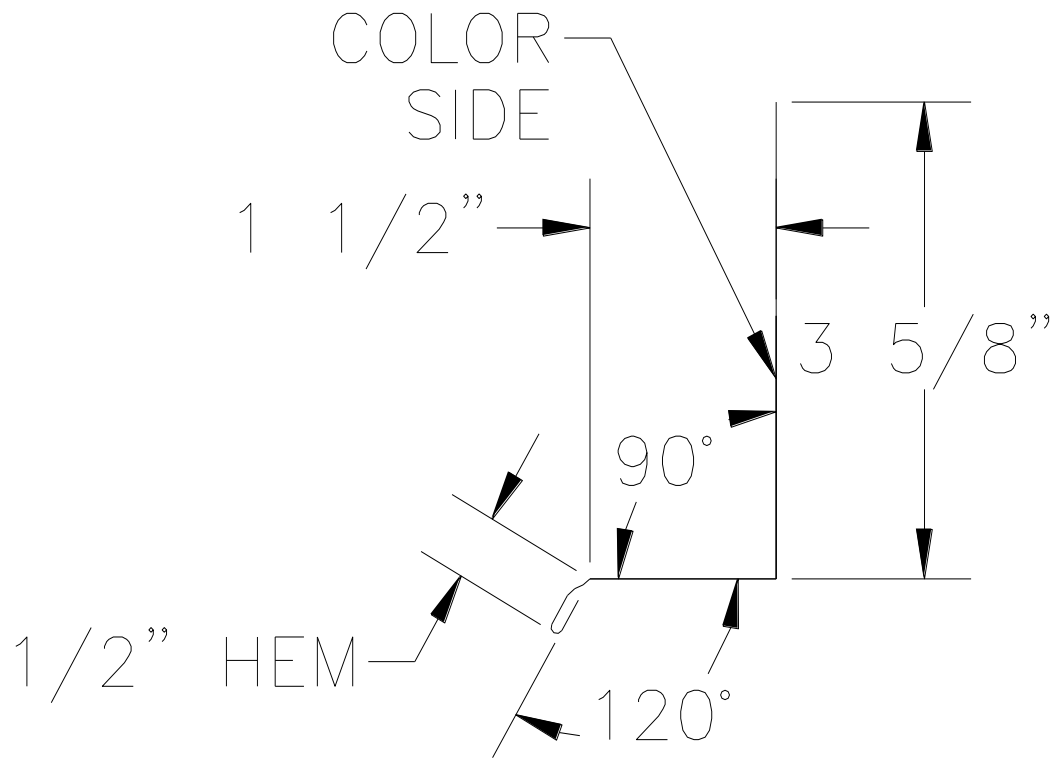
GIRTH = 6"

GAUGE = 26



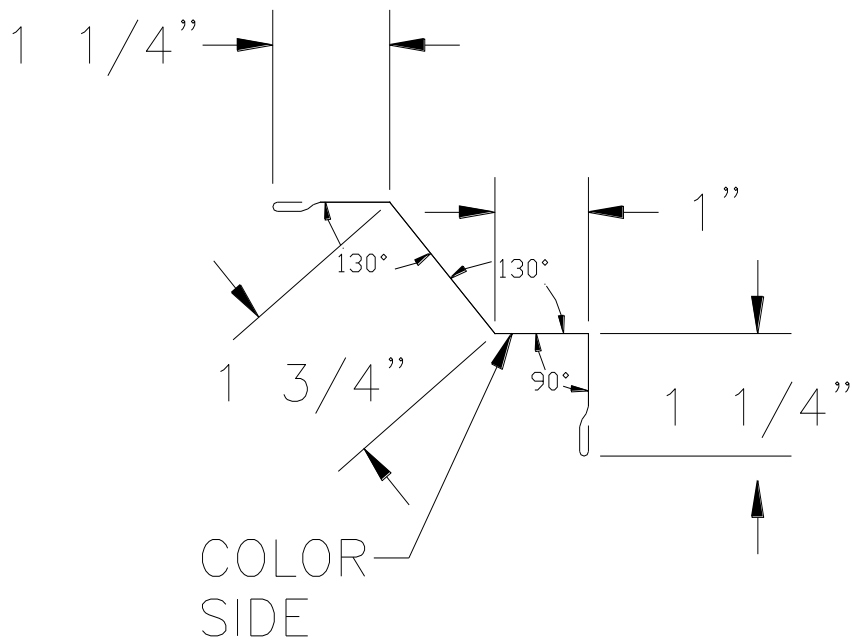
BASE TRIM FULL HEM (#762L)

GIRTH = 9"
GAUGE = 26



BASE TRIM (MASONARY) (#772)

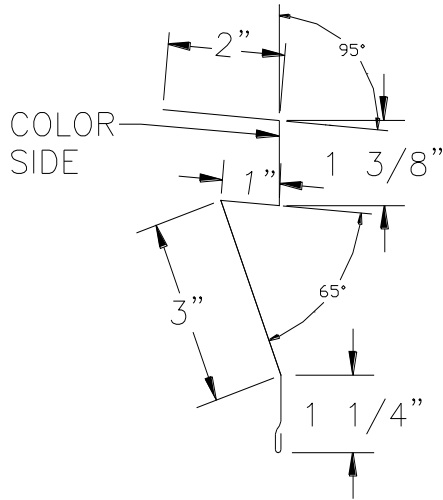
GIRTH = 6"
GAUGE = 26



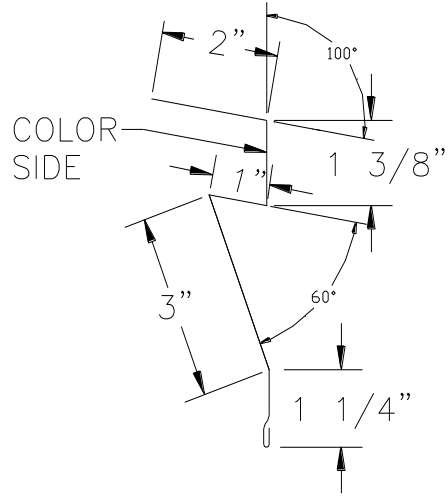
ENDWALL SOFFIT TRIM (#912)

COMMERCIAL FLASHING

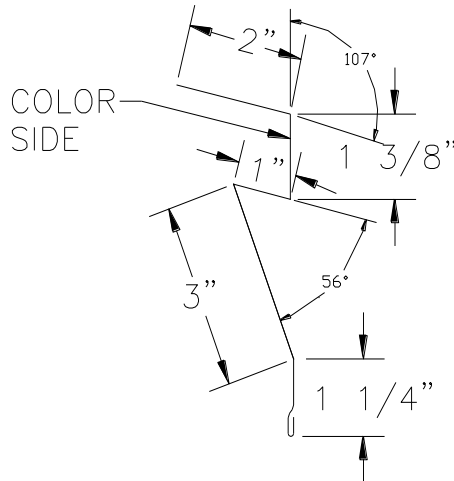
GIRTH = 6"
GAUGE = 26



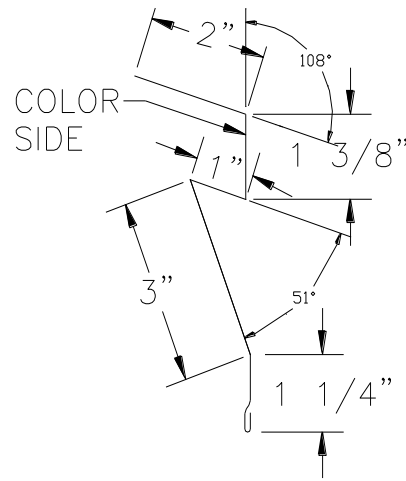
1:12 ROOF SLOPE



2:12 ROOF SLOPE



3:12 ROOF SLOPE



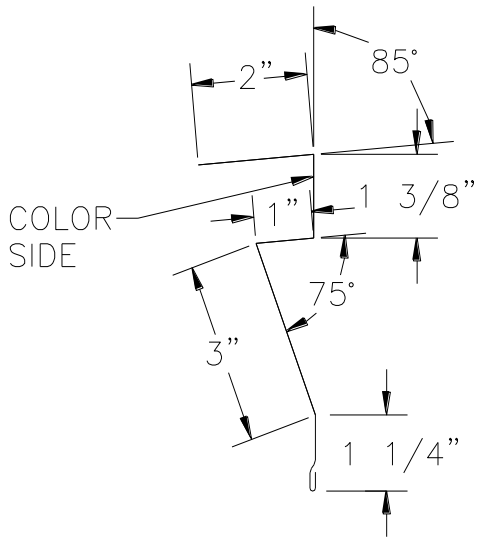
4:12 ROOF SLOPE

SIDEWALL SOFFIT TRIM – HIGH SIDE (#922HS)

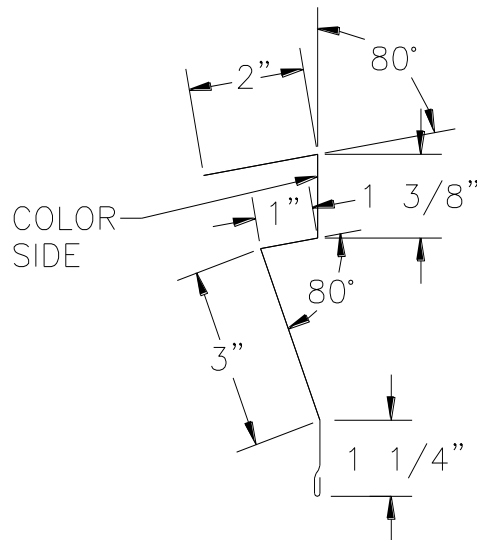
COMMERCIAL FLASHING

GIRTH = 9"

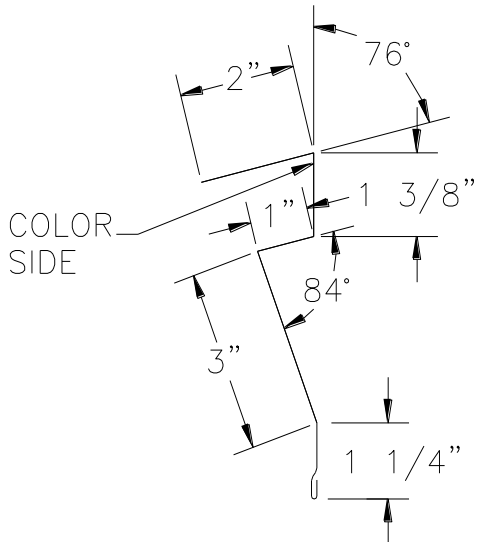
GAUGE = 26



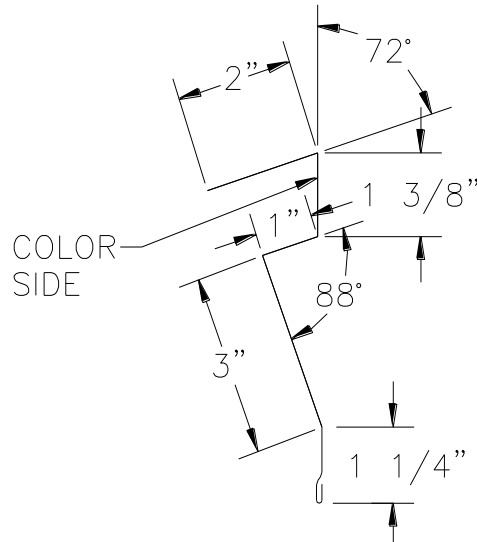
1:12 ROOF SLOPE



2:12 ROOF SLOPE



3:12 ROOF SLOPE



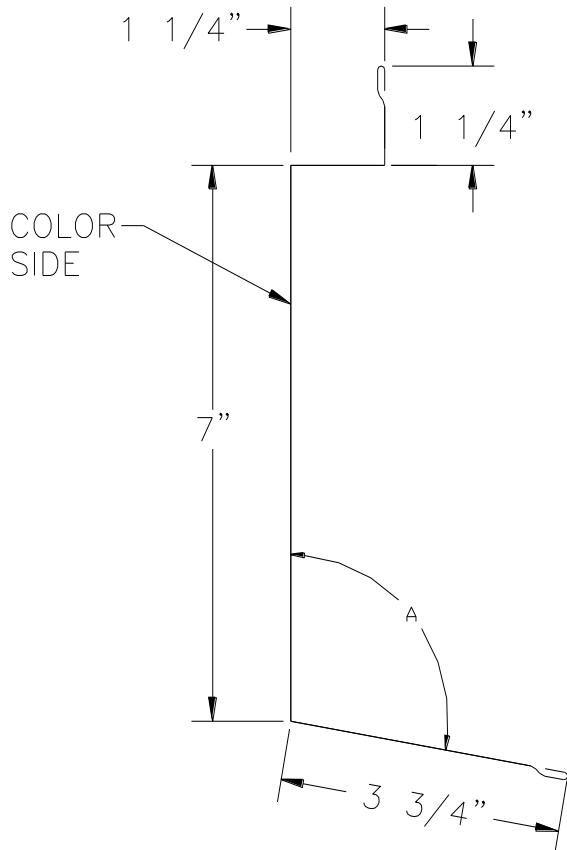
4:12 ROOF SLOPE

SIDEWALL SOFFIT TRIM – LOW SIDE (#922LS)

COMMERCIAL FLASHING

GIRTH = 9"

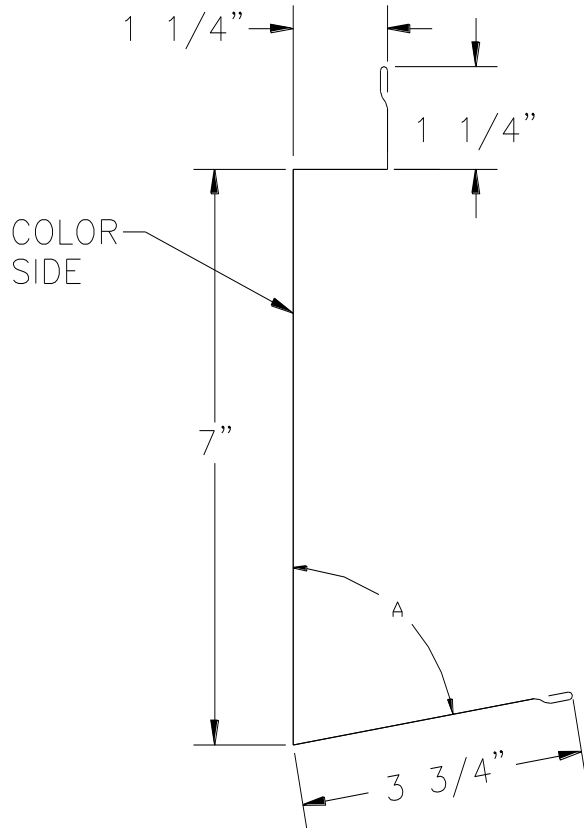
GAUGE = 26



DEGREE'S	
HIGH SIDE	
ROOF SLOPE	DEGREE (A)
1:12	95°
2:12	100°
3:12	105°
4:12	110°

EAVE GUTTER SPACER – HIGH SIDE (#962HS)

COMMERCIAL FLASHING
GIRTH = 14"
GAUGE = 26

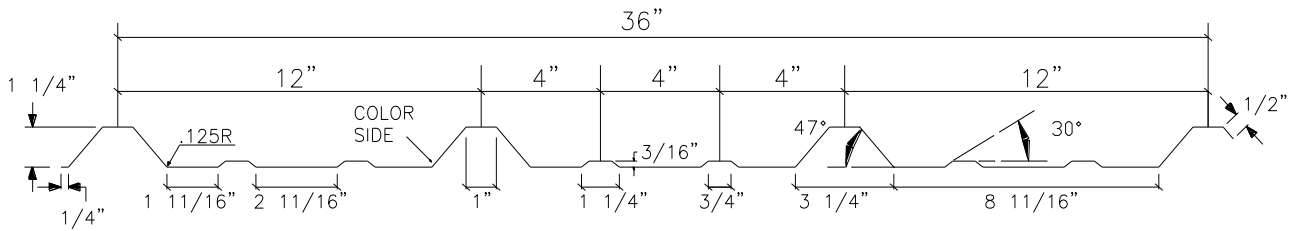


DEGREE'S LOW SIDE	
ROOF SLOPE	DEGREE (A)
1:12	85°
2:12	80°
3:12	75°
4:12	70°

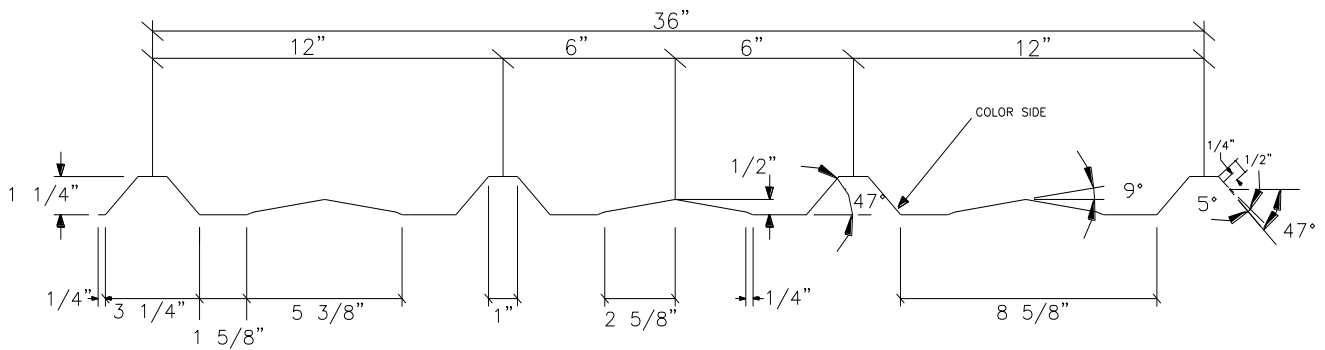
EAVE GUTTER SPACER — LOW SIDE (#962LS)

COMMERCIAL FLASHING
GIRTH = 14"
GAUGE = 26

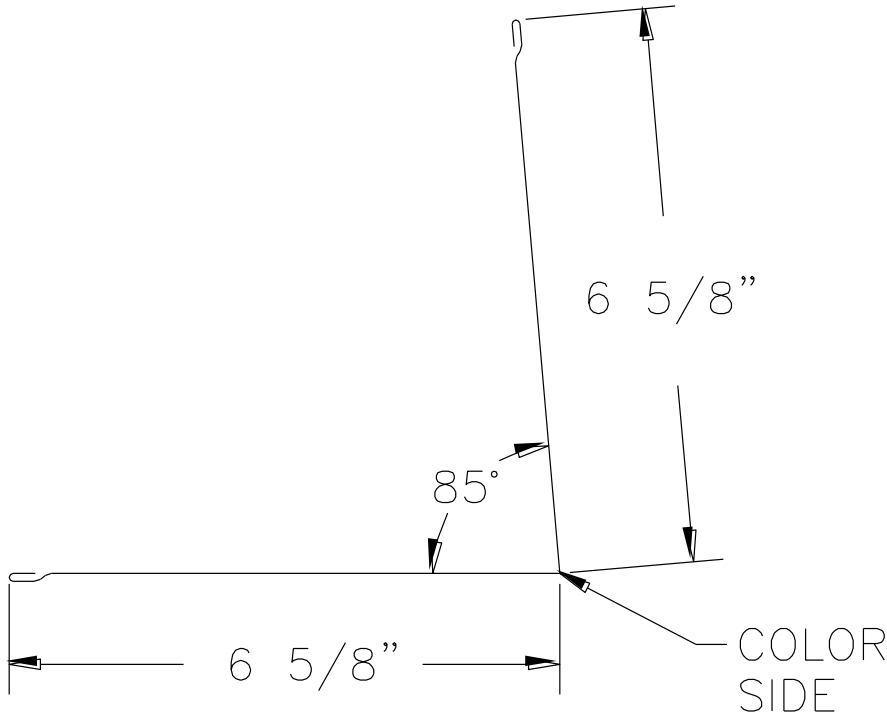
PBR PANEL PROFILE



PBA PANEL PROFILE

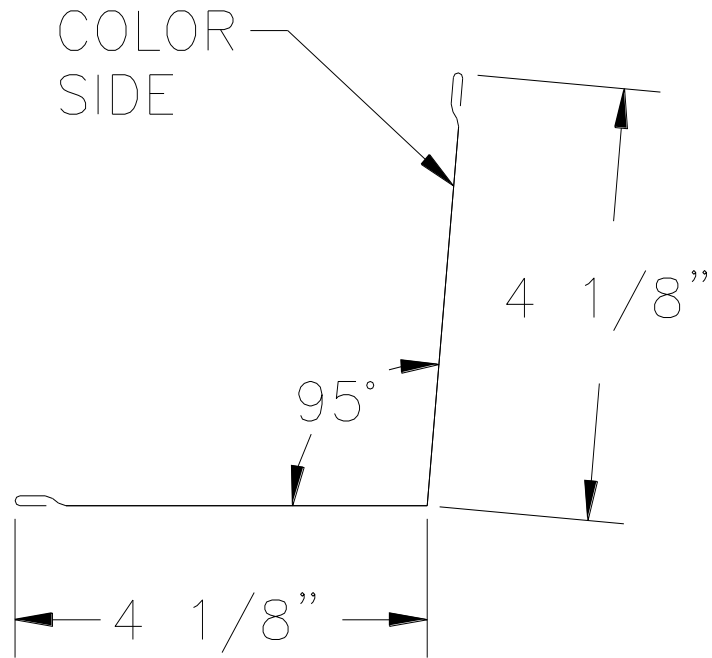


A-Panel Applications



OUTSIDE CORNER (#313)

COMMERCIAL FLASHING
GIRTH = 14"
GAUGE = 26

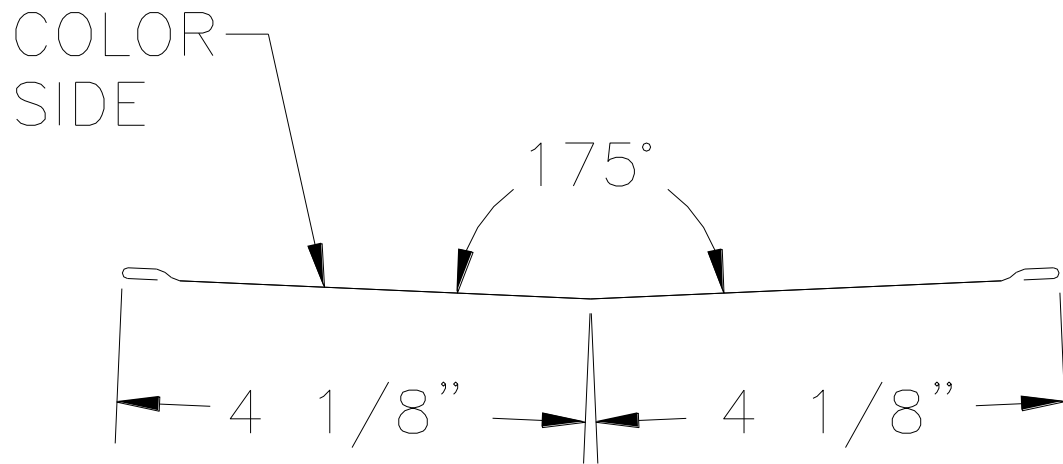


INSIDE CLOSURE (#323)

COMMERCIAL FLASHING

GIRTH = 9"

GAUGE = 26

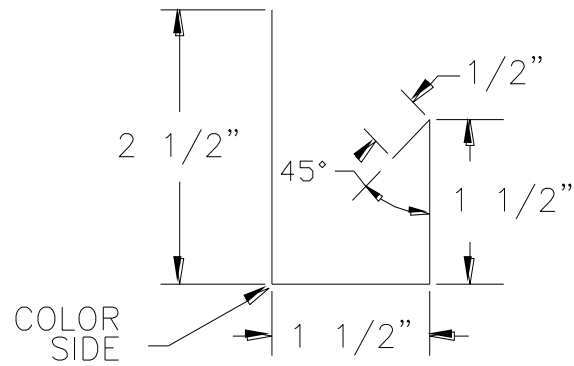


ADAPTOR TRIM (#333)

COMMERCIAL FLASHING

GIRTH = 9"

GAUGE = 26

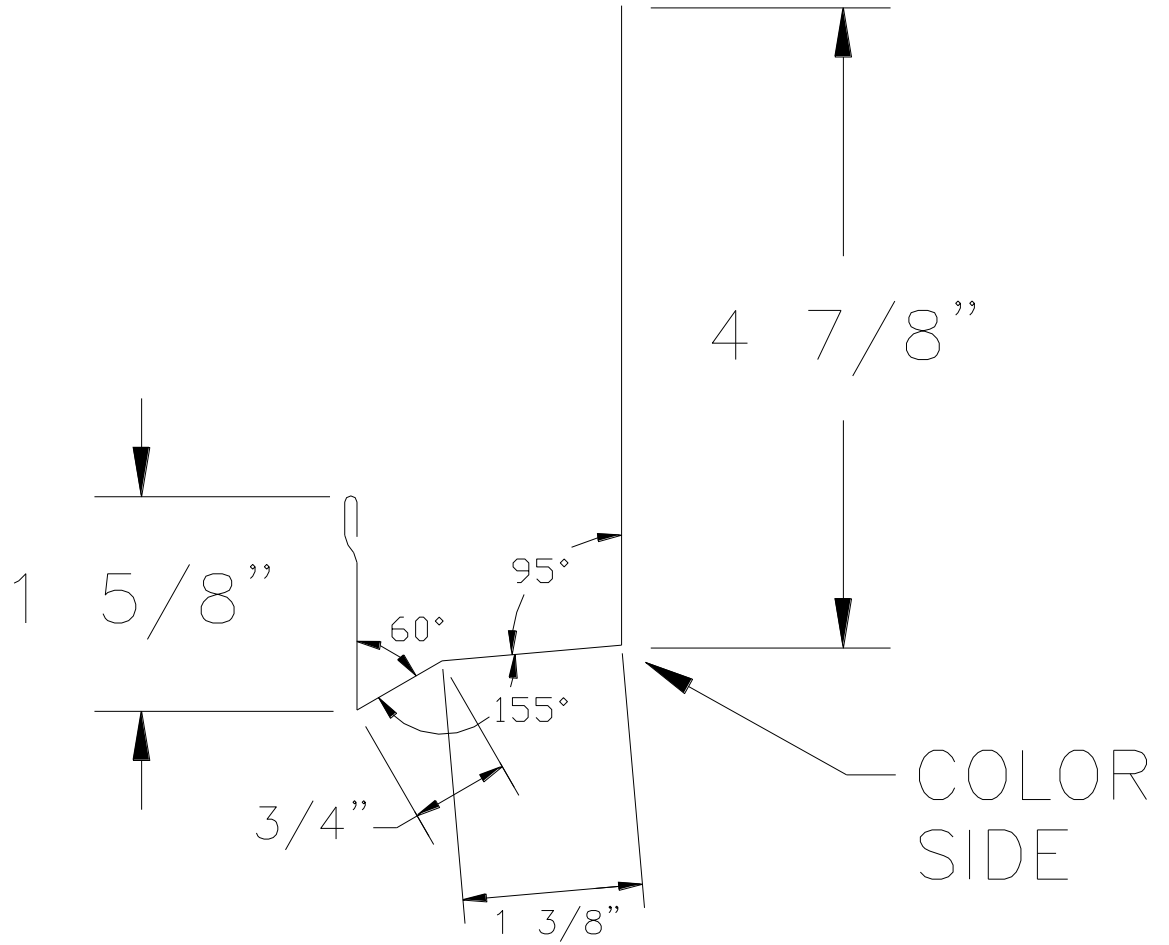


JAMB TRIM(OPTION 2) (#413)

COMMERCIAL FLASHING

GIRTH = 6"

GAUGE = 26

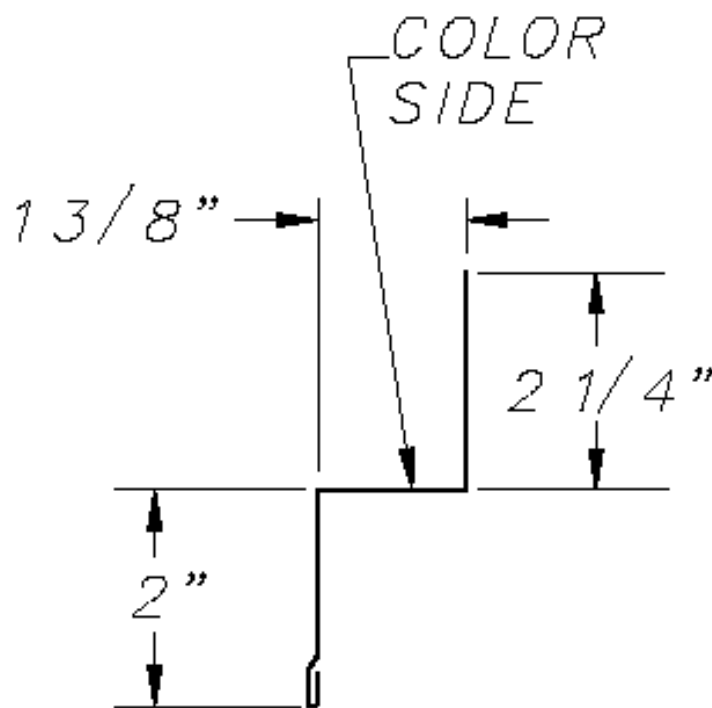


HEADER TRIM (#513)

COMMERCIAL FLASHING

GIRTH = 9"

GAUGE = 26



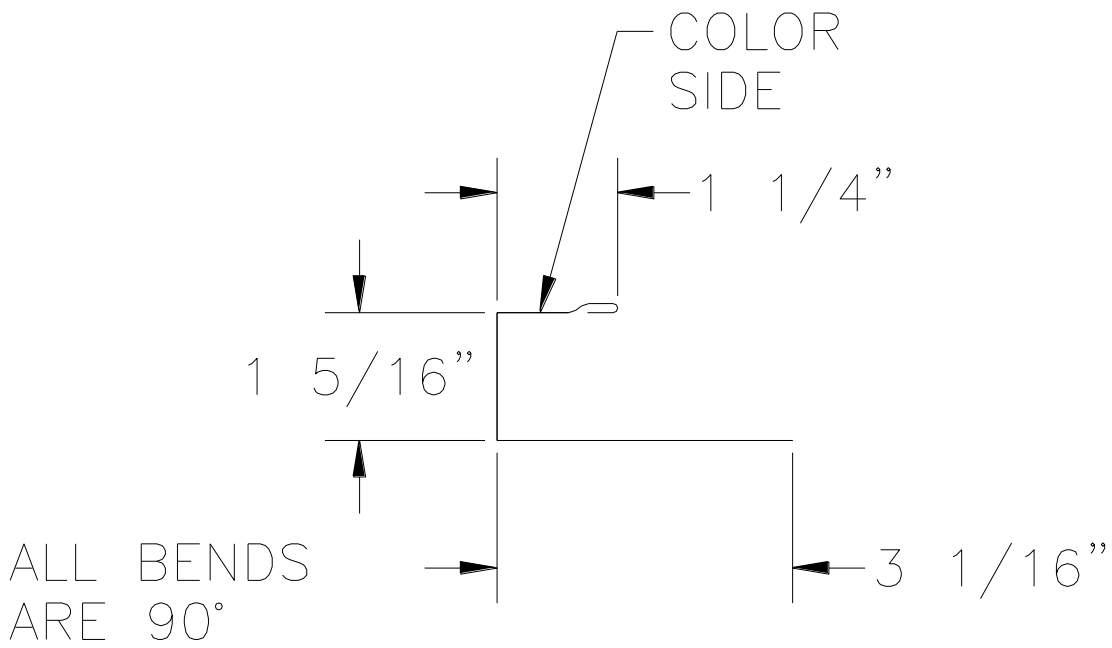
ALL BENDS
ARE 90°

ZEE TRIM (#523)

COMMERCIAL FLASHING

GIRTH = 6"

GAUGE = 26

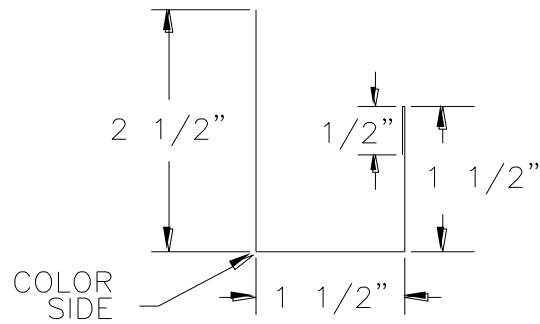


PANEL CAP/SILL TRIM (#533)

COMMERCIAL FLASHING

GIRTH = 6"

GAUGE = 26



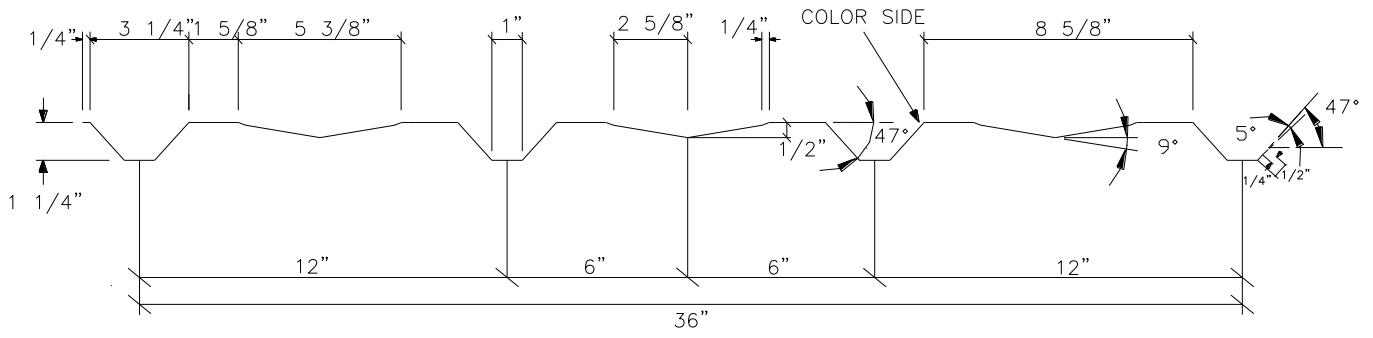
HEADER TRIM(OPTION2) (#543)

COMMERCIAL FLASHING

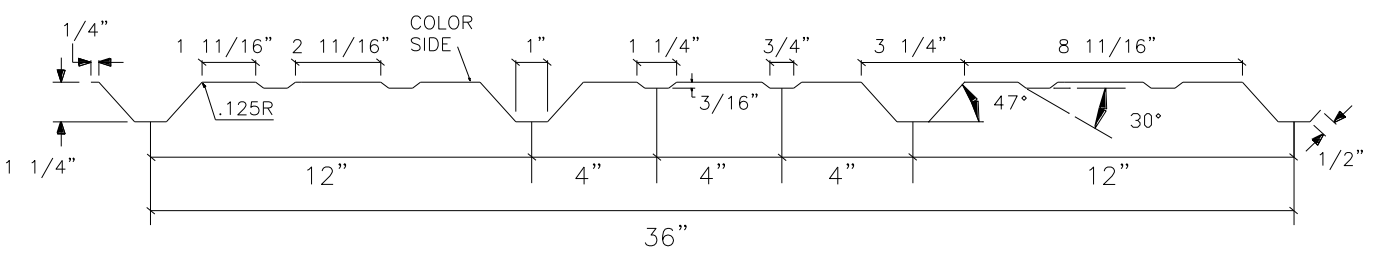
GIRTH = 6"

GAUGE = 26

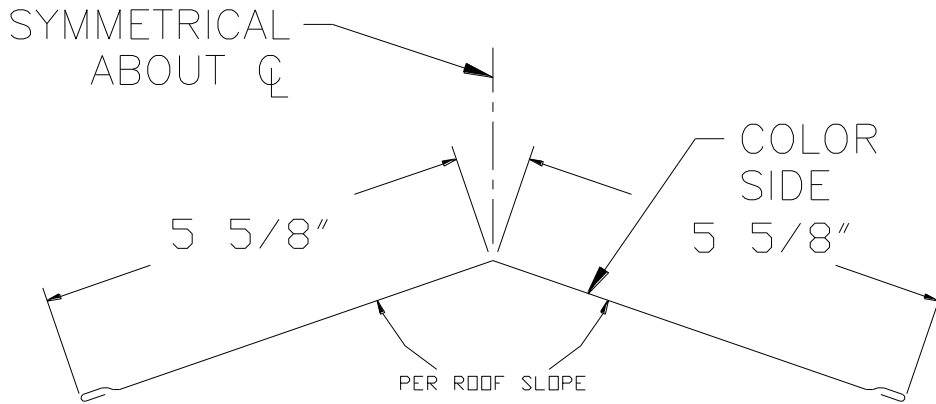
A-PANEL PROFILE



RR-PANEL PROFILE



5R9 Applications



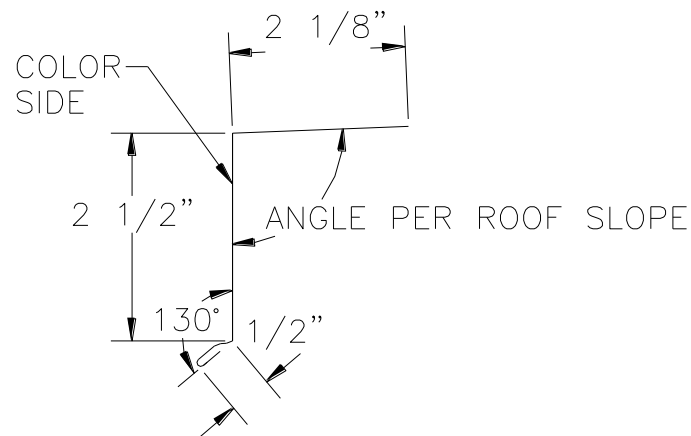
DEGREE'S

ROOF SLOPE	DEGREE
1:12	170°
2:12	160°
3:12	150°
4:12	140°

UNIVERSAL RIDGE (#041)

GIRTH = 12"
GAUGE = 29

DEGREE'S	
ROOF SLOPE	DEGREE'S
1:12	95°
2:12	100°
3:12	105°
4:12	110°



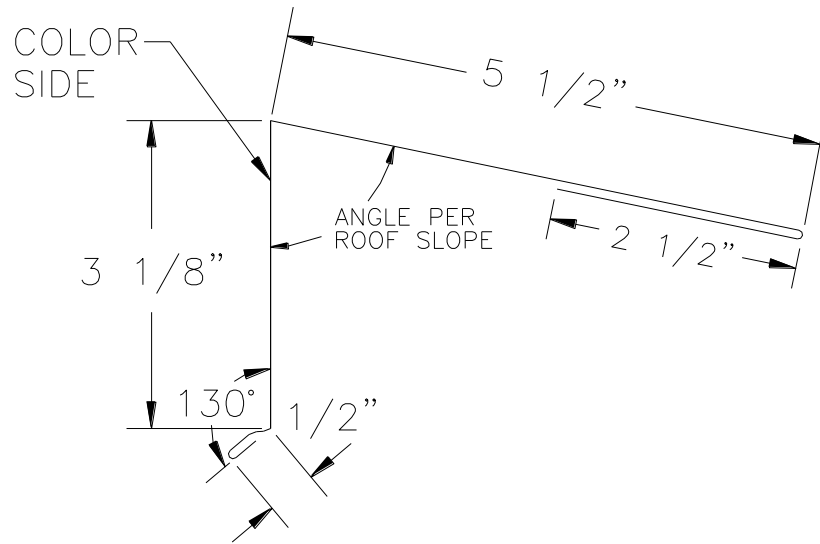
LOW SIDE EAVE FLASHING (#125)

SIMPLE FLASHING

GIRTH = $5 \frac{1}{2}$ "

GAUGE = 29

DEGREE'S	
ROOF SLOPE	DEGREE'S
1:12	95°
2:12	100°
3:12	105°
4:12	110°

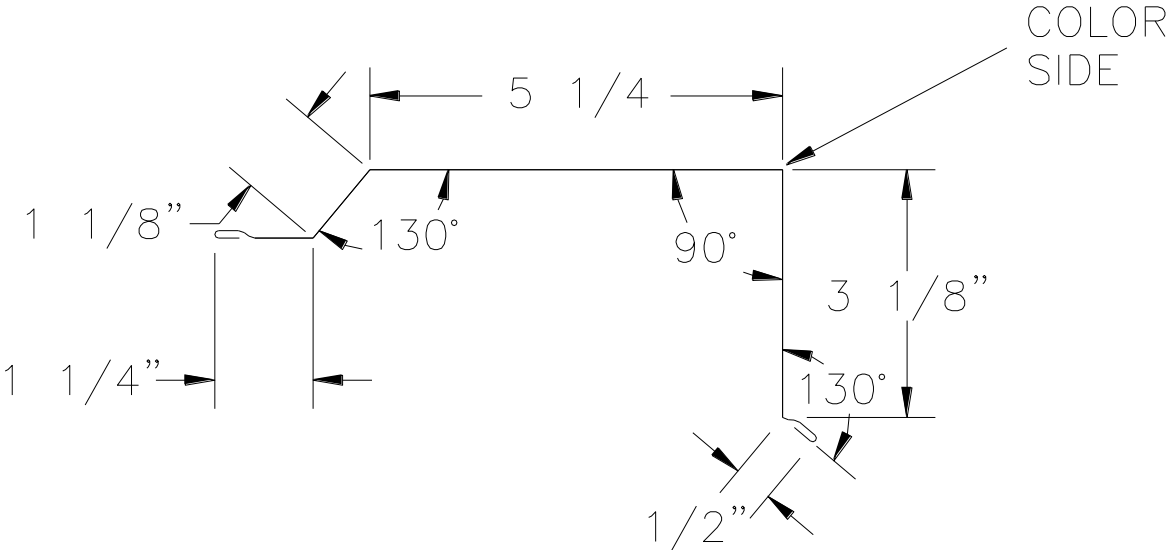


HIGH SIDE EAVE FLASHING (#135)

SIMPLE FLASHING

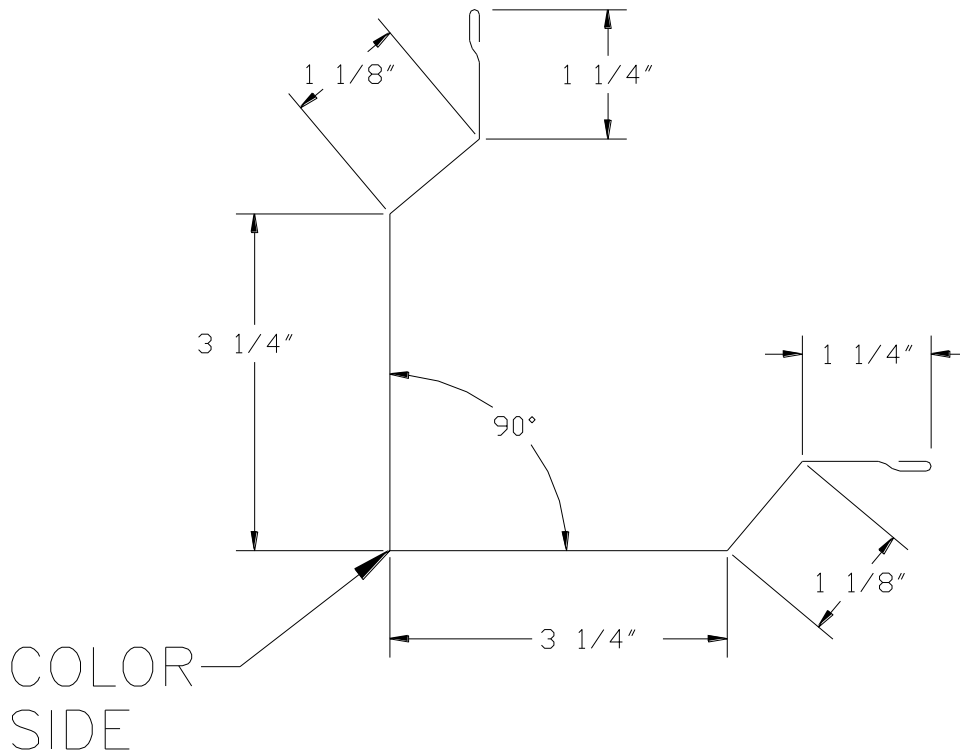
GIRTH = 12"

GAUGE = 29



GABLE TRIM (#225)

SIMPLE FLASHING
GIRTH = 12"
GAUGE = 29



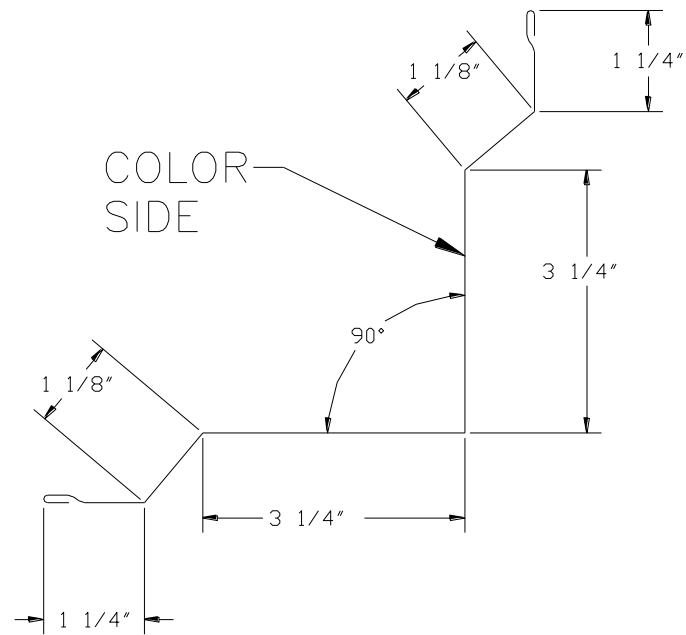
ALL ANGLES 130° U.N.

OUTSIDE CORNER (#315)

COMMERCIAL FLASHING

GIRTH = 12"

GAUGE = 29



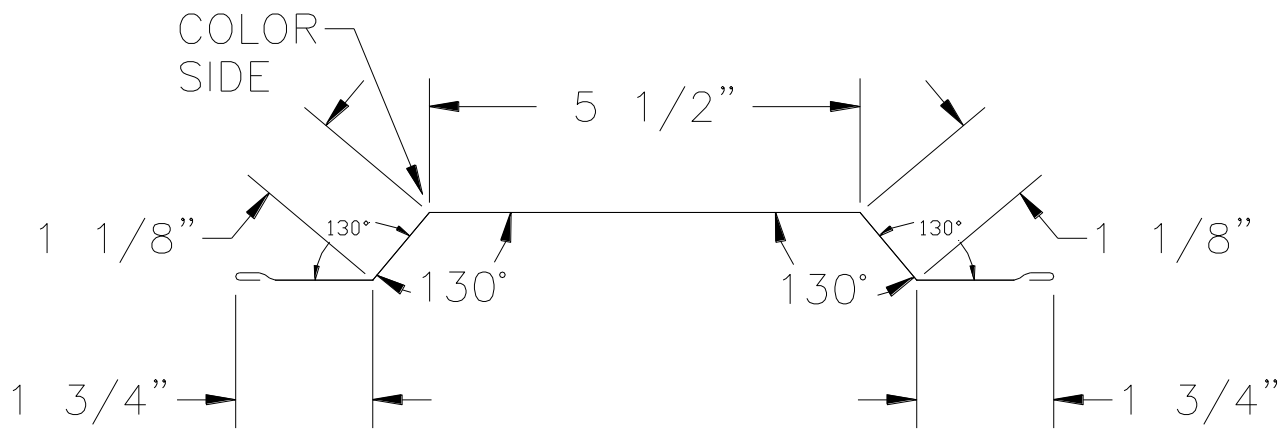
ALL ANGLES 130° U.N.

INSIDE CORNER (#325)

COMMERCIAL FLASHING

GIRTH = 12"

GAUGE = 29

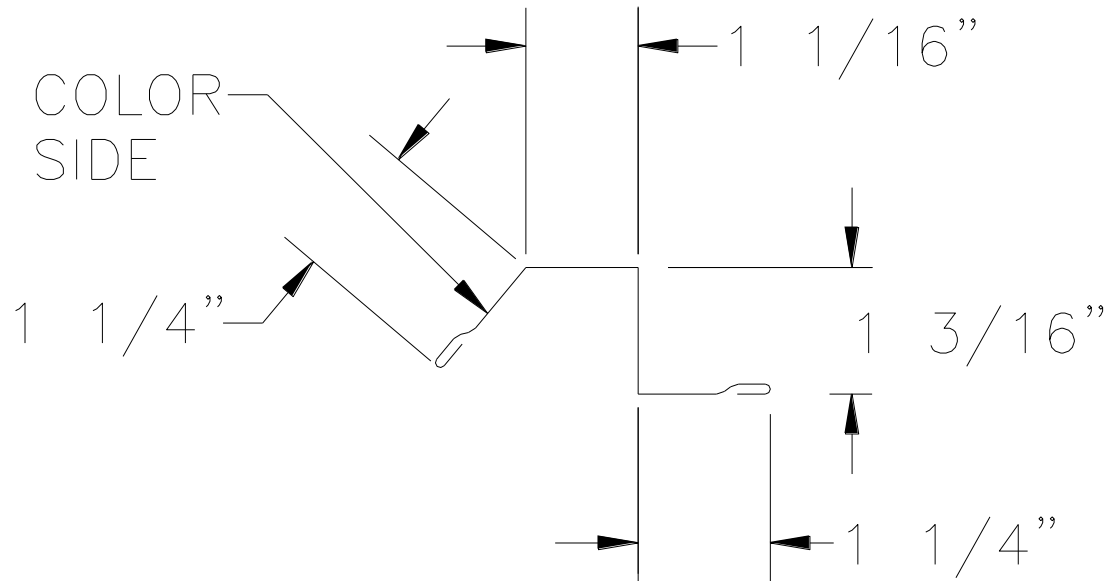


ADAPTOR TRIM (#335)

COMMERCIAL FLASHING

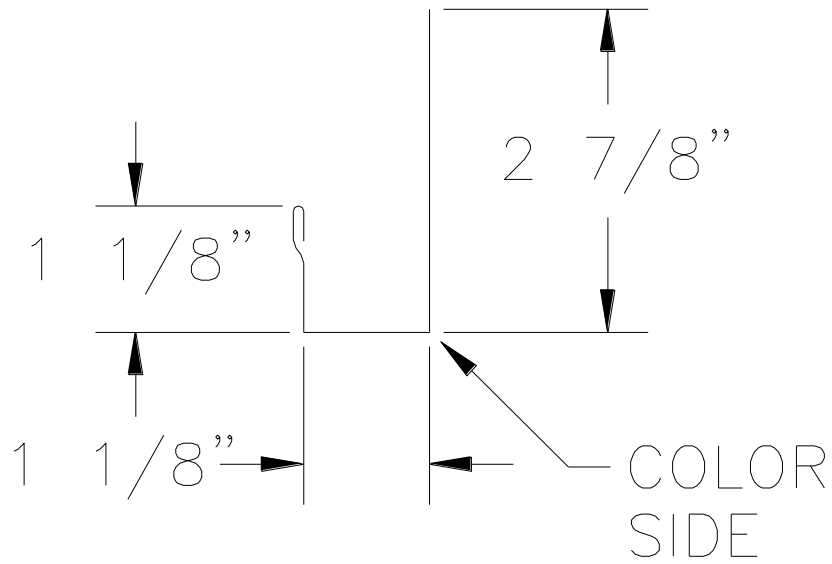
GIRTH = 12"

GAUGE = 29



JAMB TRIM (#415)

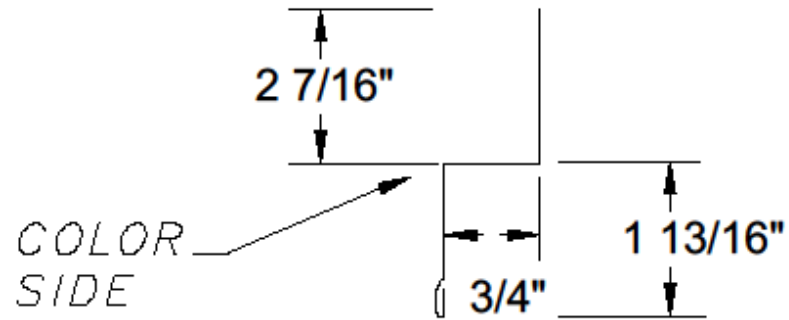
COMMERCIAL TRIM
GIRTH = $5 \frac{1}{2}$ "
GAUGE = 29



ALL BENDS
ARE 90°

HEADER TRIM (#515)
PANEL CAP (#535)

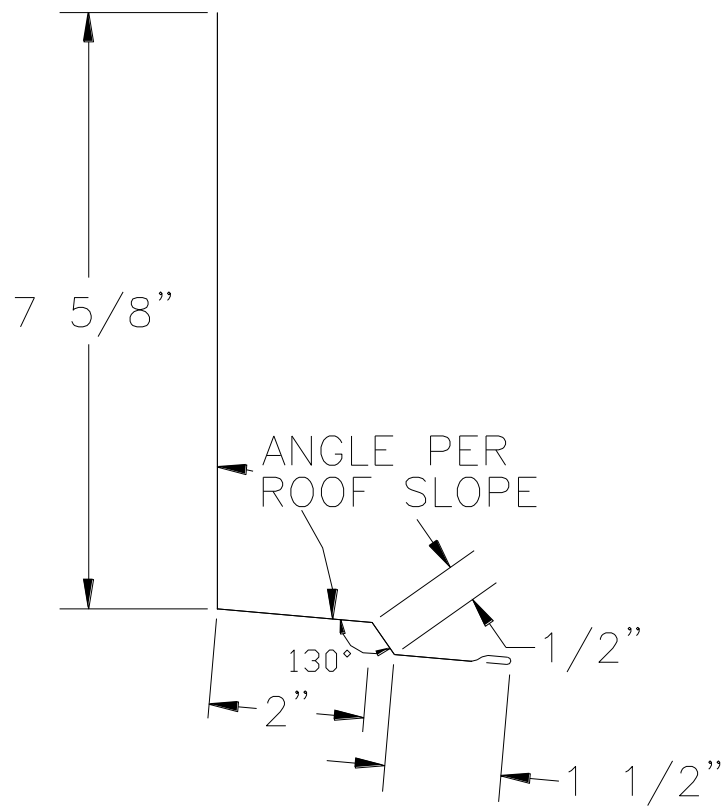
SIMPLE FLASHING
GIRTH = 5 1/2"
GAUGE = 29



ALL BENDS
ARE 90°

ZEE TRIM (# 525)

SIMPLE FLASHING
GIRTH = $5 \frac{1}{2}$ "
GAUGE = 29

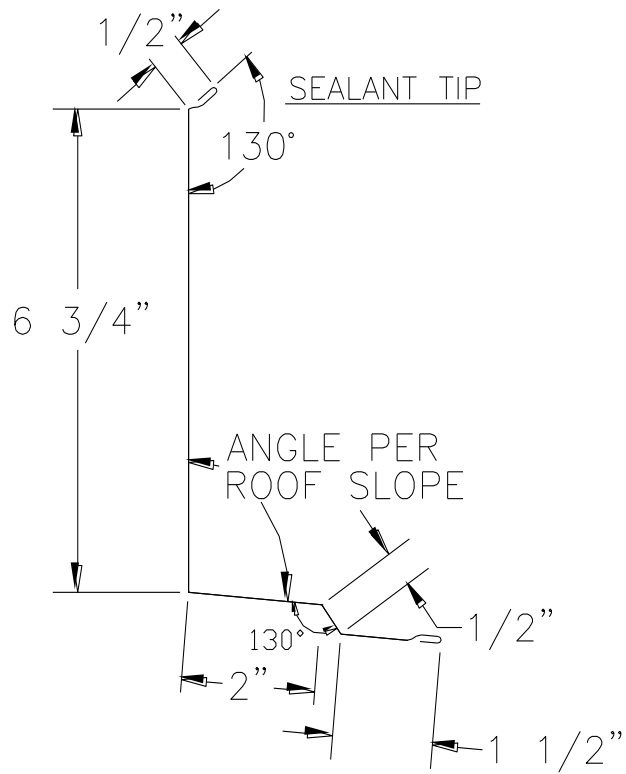


SIDEWALL HEIGHT CHANGE (#615)

COMMERCIAL FLASHING

GIRTH = 12"

GAUGE = 29

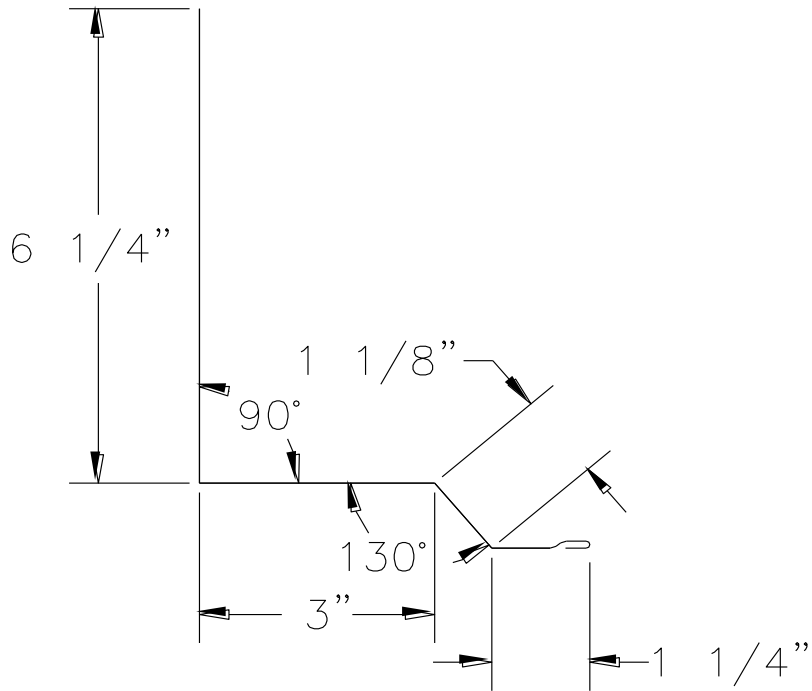


SIDEWALL HEIGHT CHANGE W/SEALANT TIP (#615ST)

COMMERCIAL FLASHING

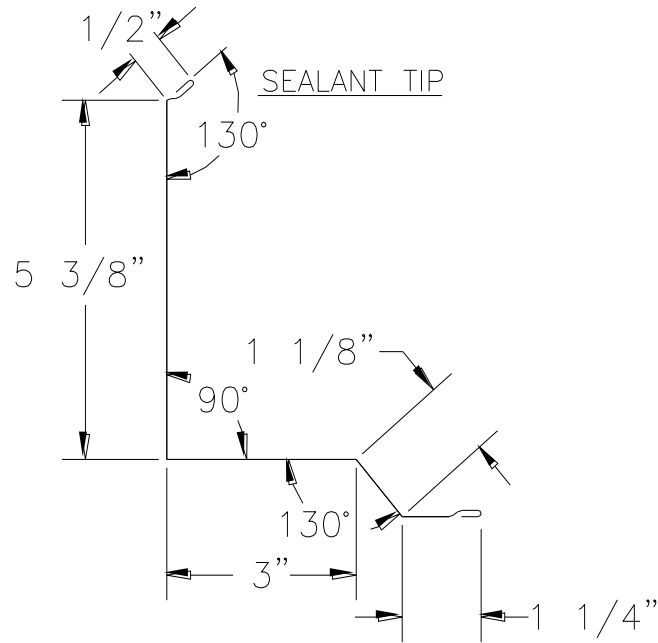
GIRTH = 12"

GAUGE = 29



ENDWALL HEIGHT CHANGE (#625)

COMMERCIAL FLASHING
GIRTH = $12''$
GAUGE = 29



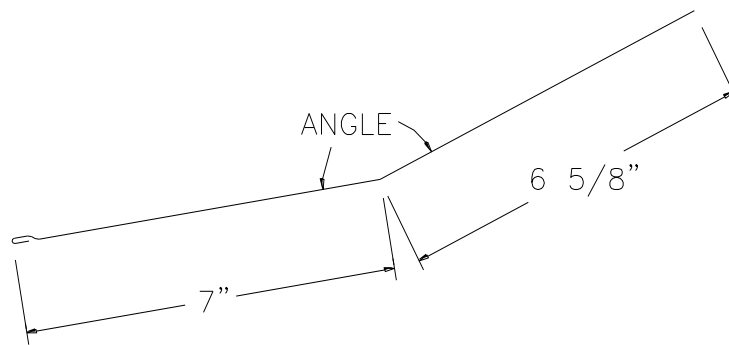
ENDWALL HEIGHT CHANGE WITH SEALANT TIP (#625ST)

COMMERCIAL FLASHING

GIRTH = 12"

GAUGE = 29

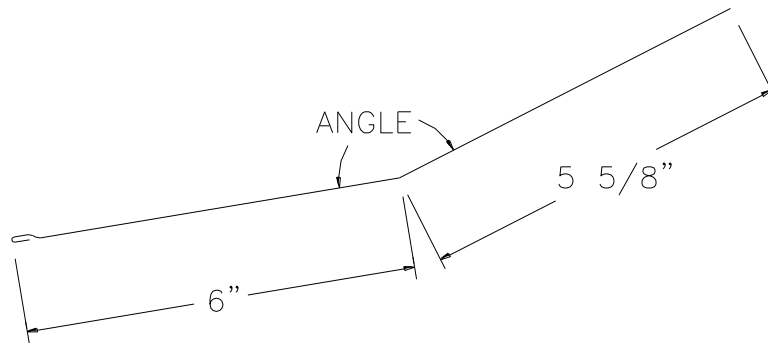
		1	2	3	4	5	6	7	8	9	10	11	12
		ANGLE											
		UPPER ROOF SLOPE											
1	LOWER ROOF SLOPE		175	171	166	162	158	155	151	148	145	142	140
2		185		175	171	167	163	159	156	153	150	147	144
3		189	185		176	171	167	164	160	157	154	152	149
4		194	189	184		176	172	168	165	162	159	156	153
5		198	193	188	184		176	172	169	166	163	160	158
6		202	197	192	188	184		176	173	170	167	164	162
7		205	201	196	192	188	184		177	173	170	168	165
8		209	204	200	195	191	187	183		177	174	171	169
9		212	207	203	198	194	190	187	183		177	174	172
10		215	210	206	201	197	193	190	186	183		177	175
11		218	213	208	204	200	196	192	189	186	183		178
12		220	216	211	207	202	198	195	191	188	185	182	



ROOF TRANSITION FLASHING (#635)

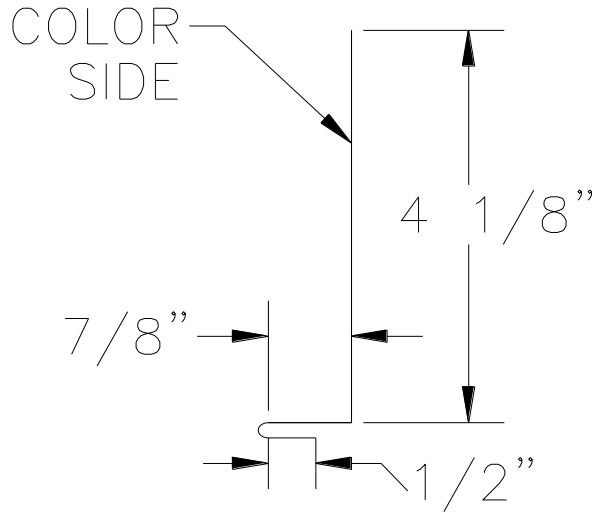
COMMERCIAL FLASHING
 GIRTH = 14
 GAUGE = 26

		1	2	3	4	5	6	7	8	9	10	11	12
		ANGLE											
		UPPER ROOF SLOPE											
LOWER ROOF SLOPE	1		175	171	166	162	158	155	151	148	145	142	140
	2	185		175	171	167	163	159	156	153	150	147	144
	3	189	185		176	171	167	164	160	157	154	152	149
	4	194	189	184		176	172	168	165	162	159	156	153
	5	198	193	188	184		176	172	169	166	163	160	158
	6	202	197	192	188	184		176	173	170	167	164	162
	7	205	201	196	192	188	184		177	173	170	168	165
	8	209	204	200	195	191	187	183		177	174	171	169
	9	212	207	203	198	194	190	187	183		177	174	172
	10	215	210	206	201	197	193	190	186	183		177	175
	11	218	213	208	204	200	196	192	189	186	183		178
	12	220	216	211	207	202	198	195	191	188	185	182	



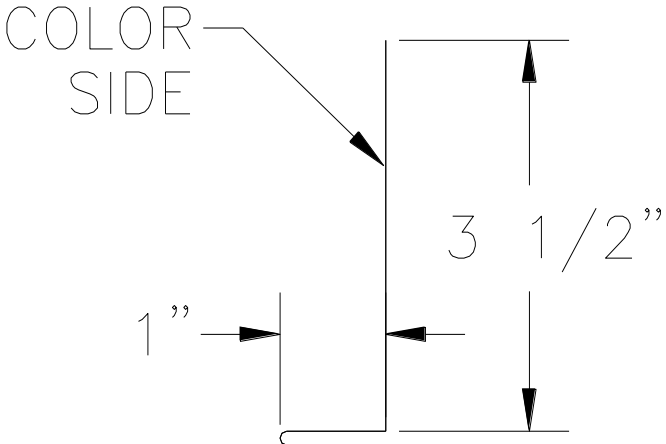
ROOF TRANSITION FLASHING (#645)

COMMERCIAL FLASHING
 GIRTH = 12
 GAUGE = 29



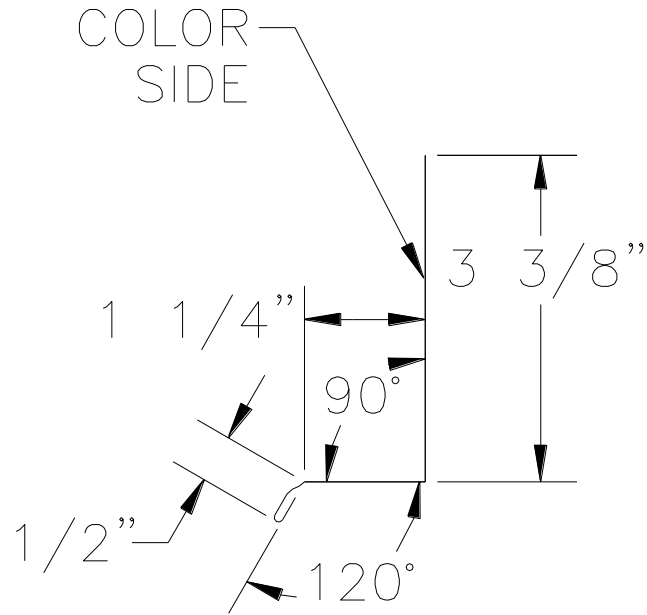
BASE TRIM CLOSED HEM (#755)

SIMPLE FLASHING
GIRTH = $5 \frac{1}{2}$ "
GAUGE = 29



BASE TRIM FULL HEM (#765)

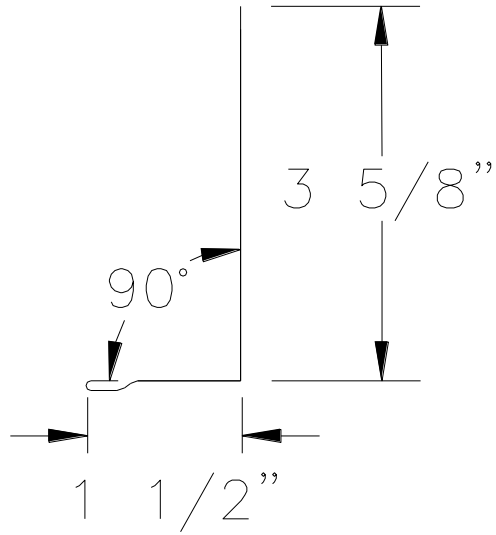
GIRTH = 5 1/2"
GAUGE = 29



BASE TRIM MASONARY (#775)

GIRTH = $5 \frac{1}{2}$ "

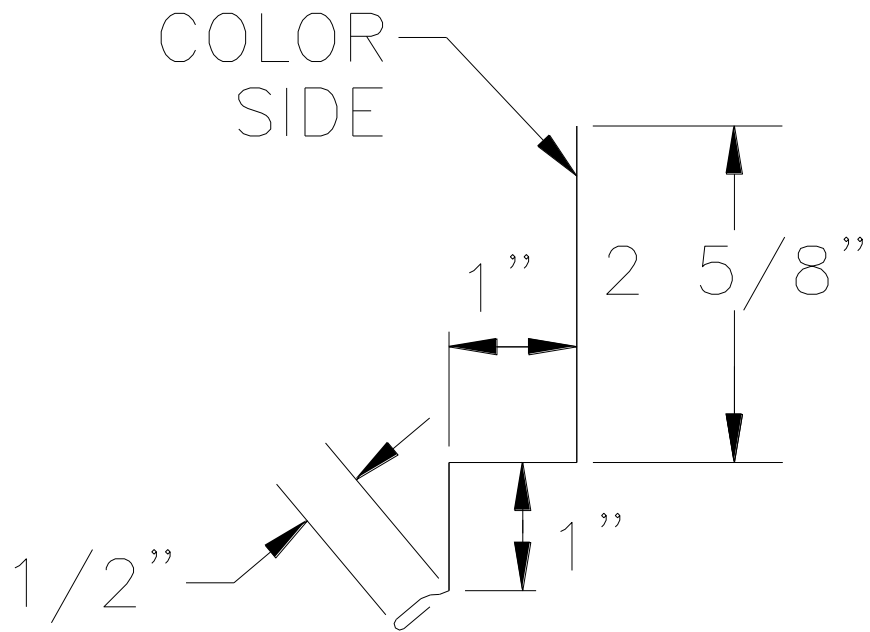
GAUGE = 29



FASCIA TRIM (#785)

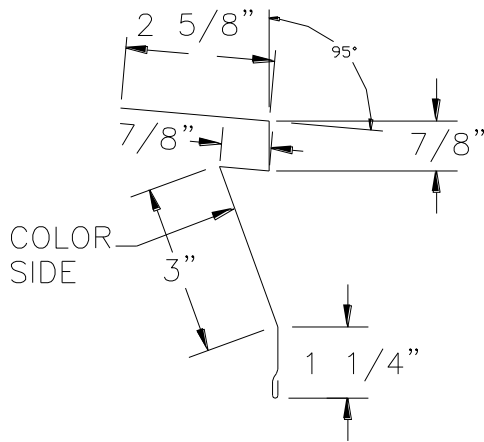
GIRTH = 5 1/2"

GAUGE = 29

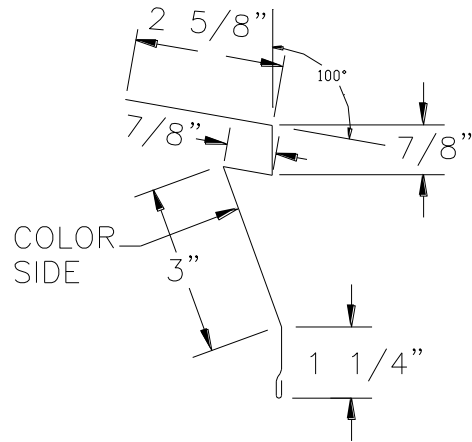


BASE TRIM (#795)

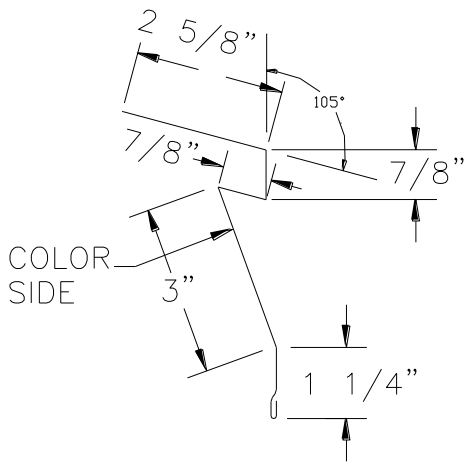
GIRTH = 5 1/2"
GAUGE = 29



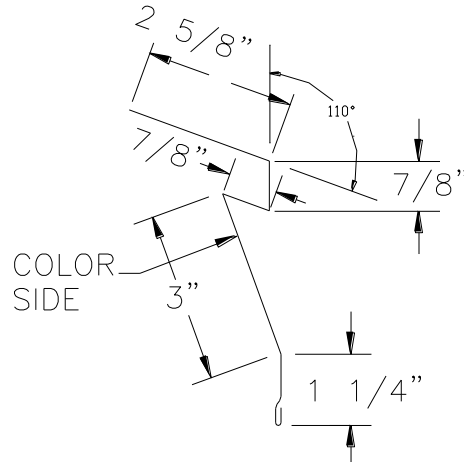
1:12 ROOF SLOPE



2:12 ROOF SLOPE



3:12 ROOF SLOPE



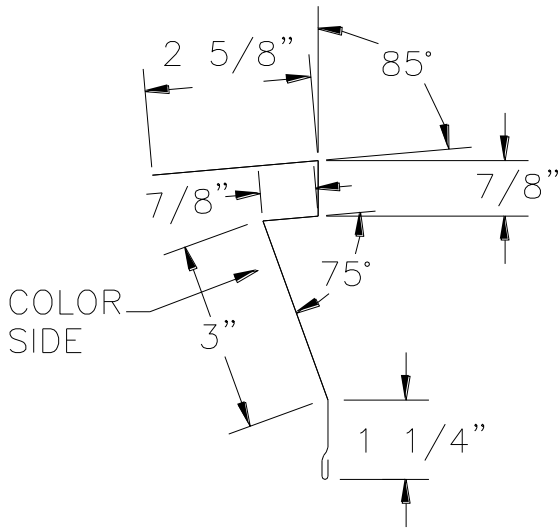
4:12 ROOF SLOPE

SIDEWALL SOFFIT TRIM – HIGH SIDE (#925HS)

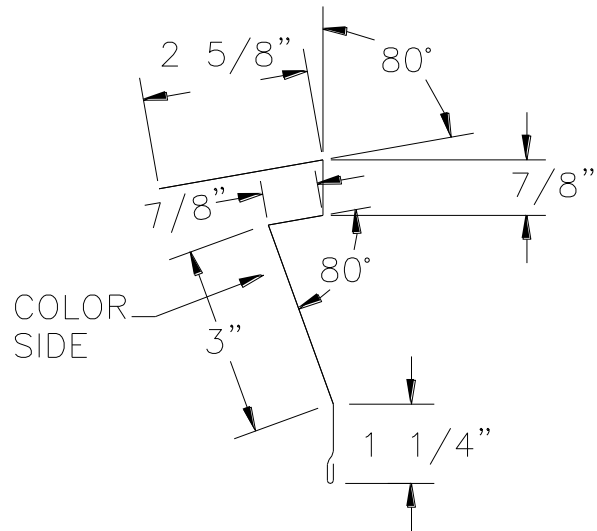
COMMERCIAL FLASHING

GIRTH = 9"

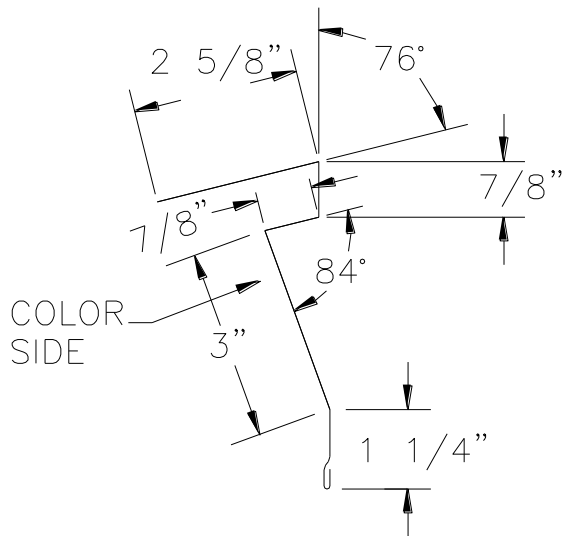
GAUGE = 26



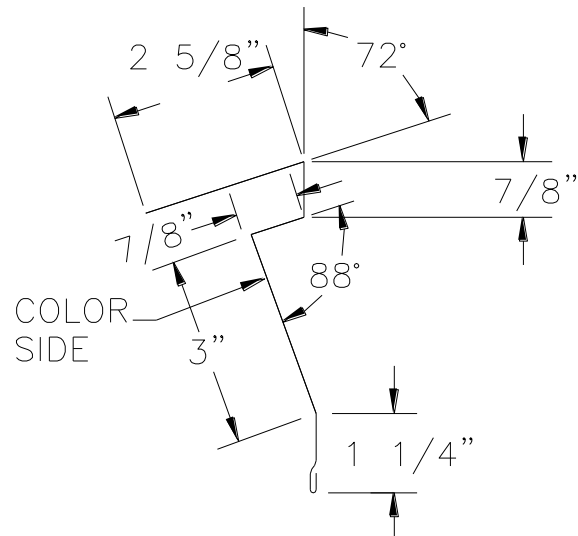
1:12 ROOF SLOPE



2:12 ROOF SLOPE



3:12 ROOF SLOPE



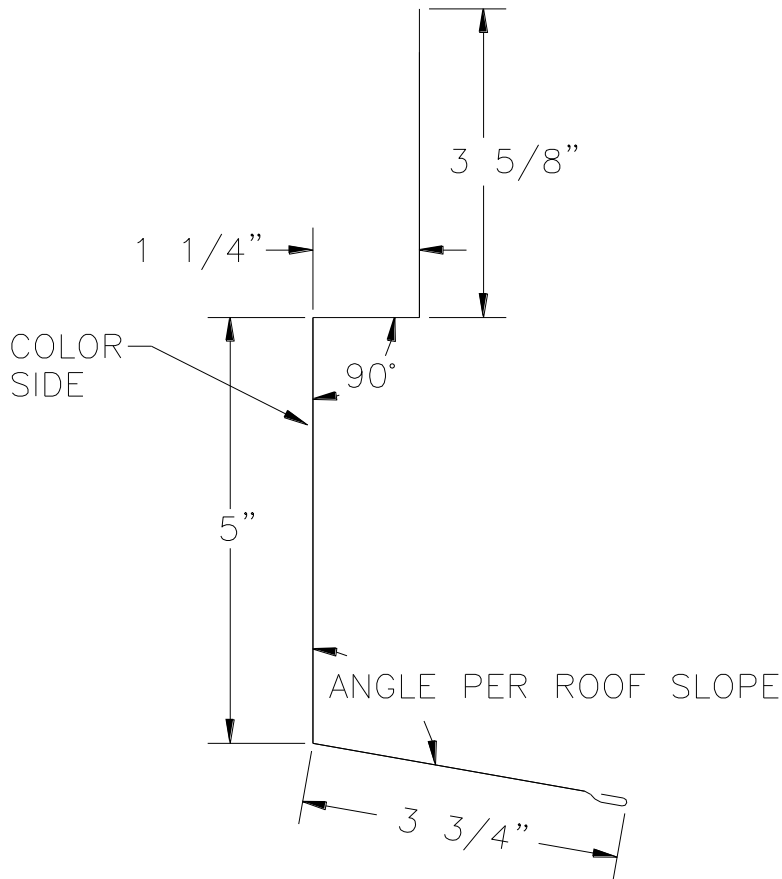
4:12 ROOF SLOPE

SIDEWALL SOFFIT TRIM – LOW SIDE (#925LS)

COMMERCIAL FLASHING

GIRTH = 9"

GAUGE = 26



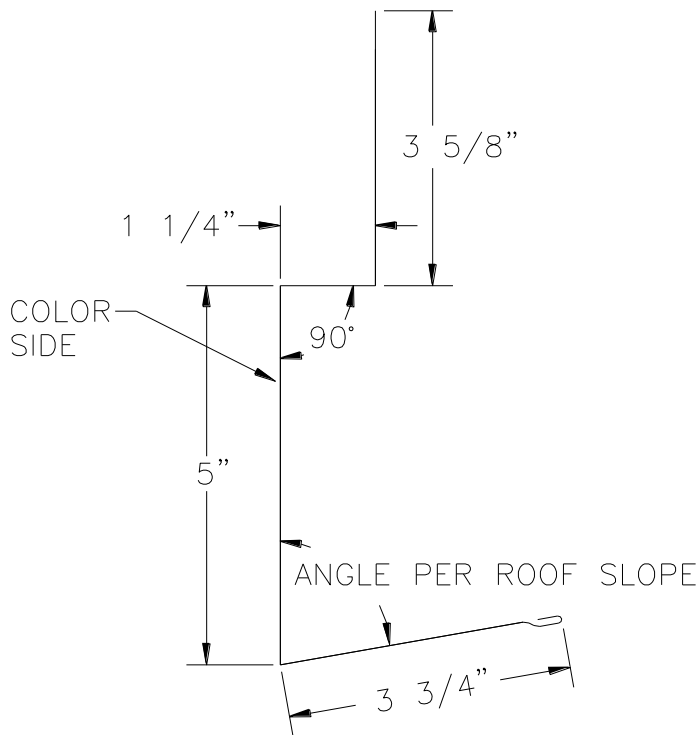
EAVE ANGLE DEGREE'S	
HIGH SIDE	
ROOF SLOPE	DEGREE
1:12	95°
2:12	100°
3:12	105°
4:12	110°

8" EAVE GUTTER SPACER HIGH SIDE (#955H)

COMMERCIAL FLASHING

GIRTH = 14"

GAUGE = 26



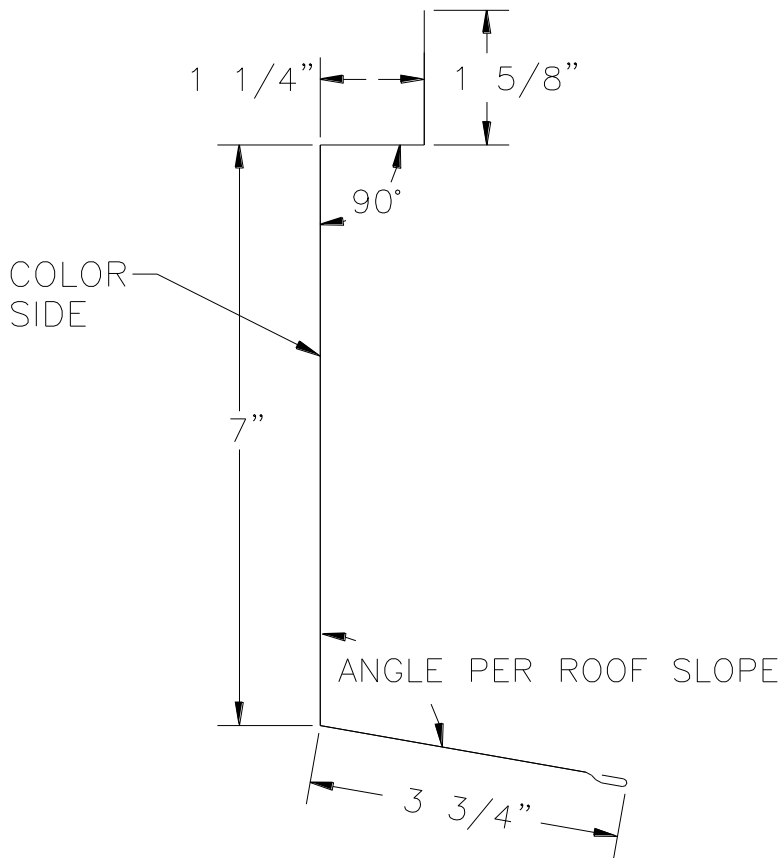
EAVE ANGLE DEGREE'S	
LOW SIDE	
ROOF SLOPE	DEGREE
1:12	85°
2:12	80°
3:12	75°
4:12	70°

8" EAVE GUTTER SPACER LOW SIDE (#955L)

COMMERCIAL FLASHING

GIRTH = 14"

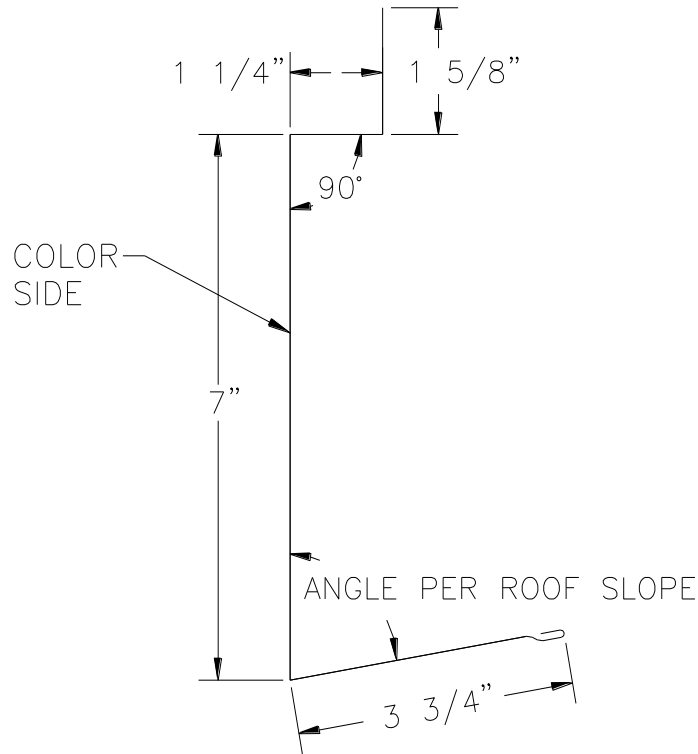
GAUGE = 26



EAVE ANGLE DEGREE'S	
HIGH SIDE	
ROOF SLOPE	DEGREE
1:12	95°
2:12	100°
3:12	105°
4:12	110°

10" EAVE GUTTER SPACER HIGH SIDE (#965H)

COMMERCIAL FLASHING
GIRTH = 14"
GAUGE = 26

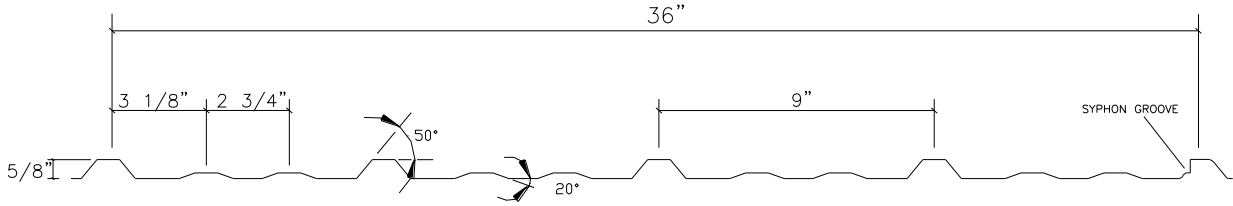


EAVE ANGLE DEGREE'S	
LOW SIDE	
ROOF SLOPE	DEGREE
1:12	85°
2:12	80°
3:12	75°
4:12	70°

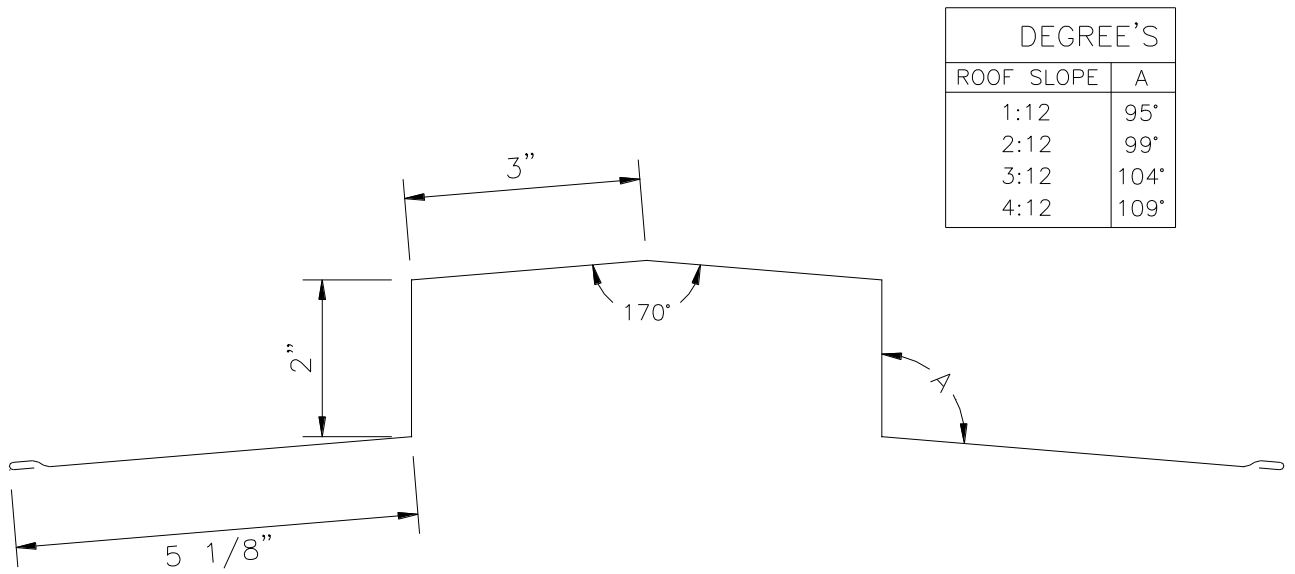
10" EAVE GUTTER SPACER LOW SIDE (#965L)

COMMERCIAL FLASHING
GIRTH = 14"
GAUGE = 26

5R9

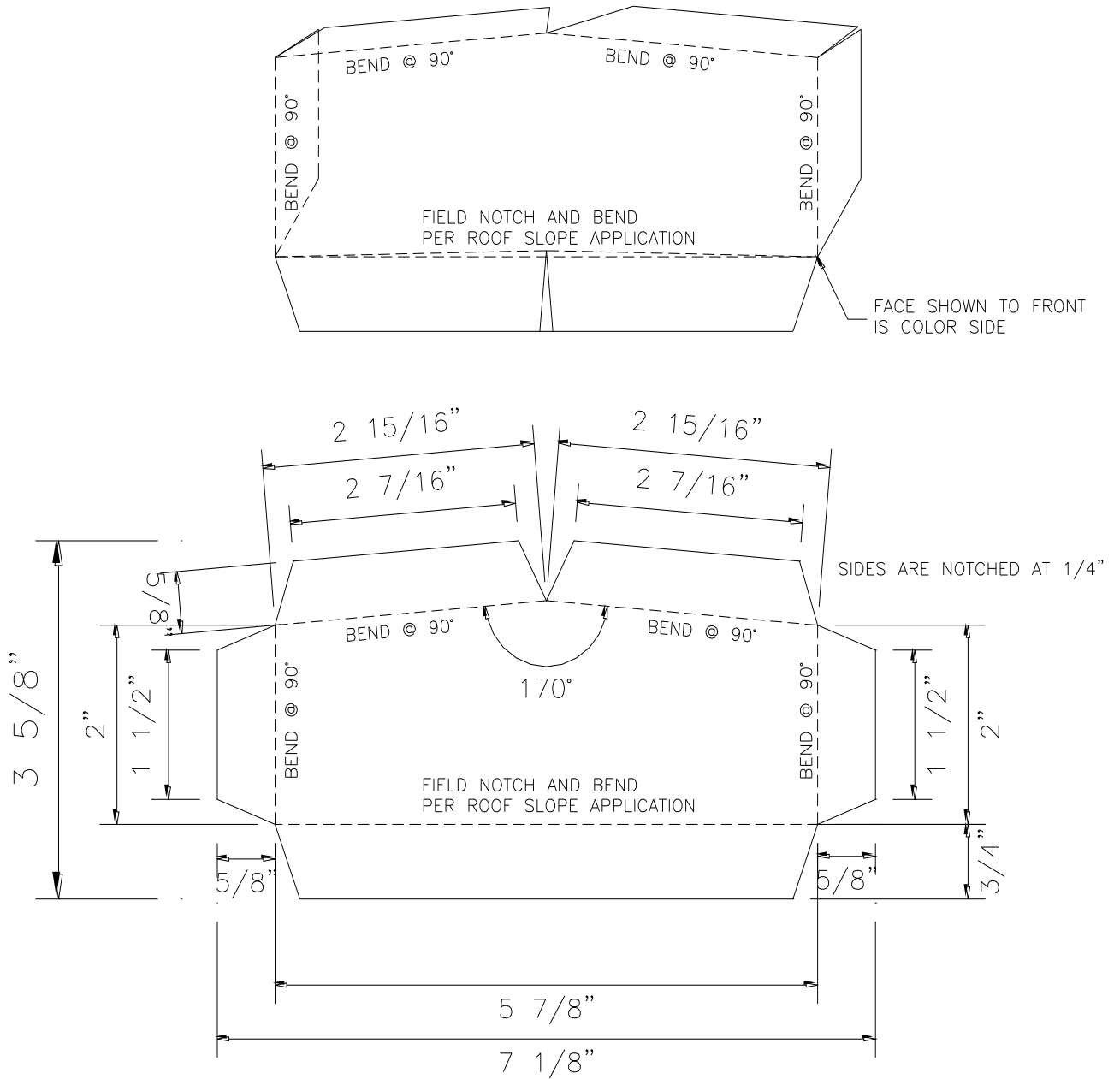


TS-324 Applications



RIDGE CAP (#026)

STANDING SEAM ROOF FLASHING
GIRTH = 21"
GAUGE = 26

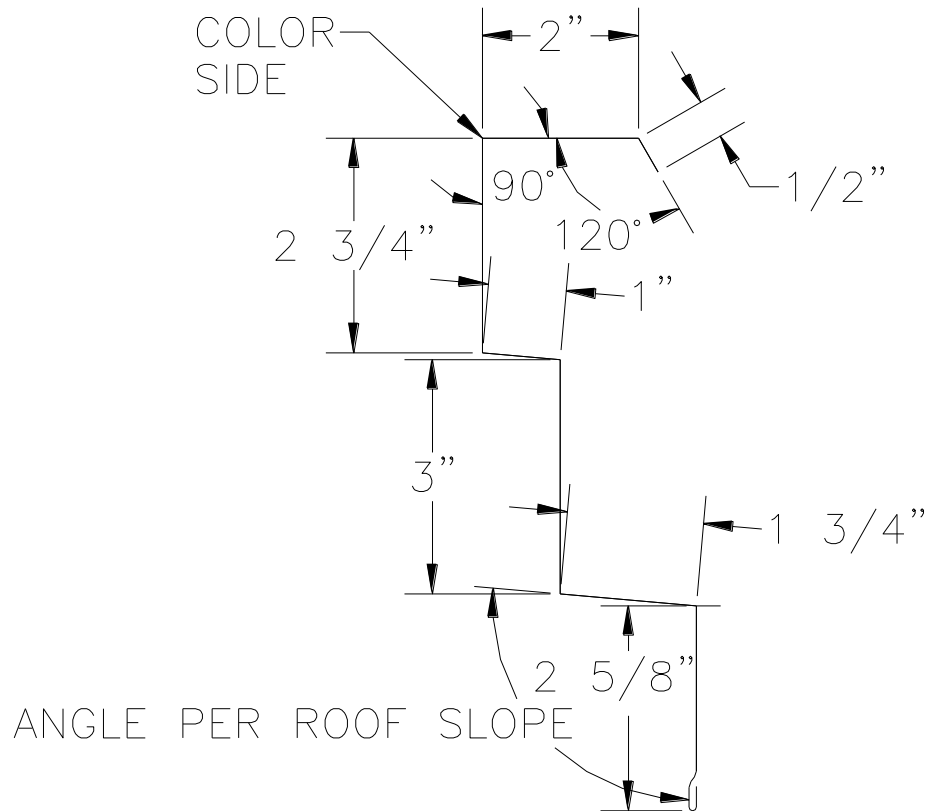


RIDGE CAP CLOSURE (#026C)

STANDING SEAM RIDGE CAP CLOSURE

GIRTH = $7 \frac{1}{8}$ " (SCRAP)

GAUGE = 24



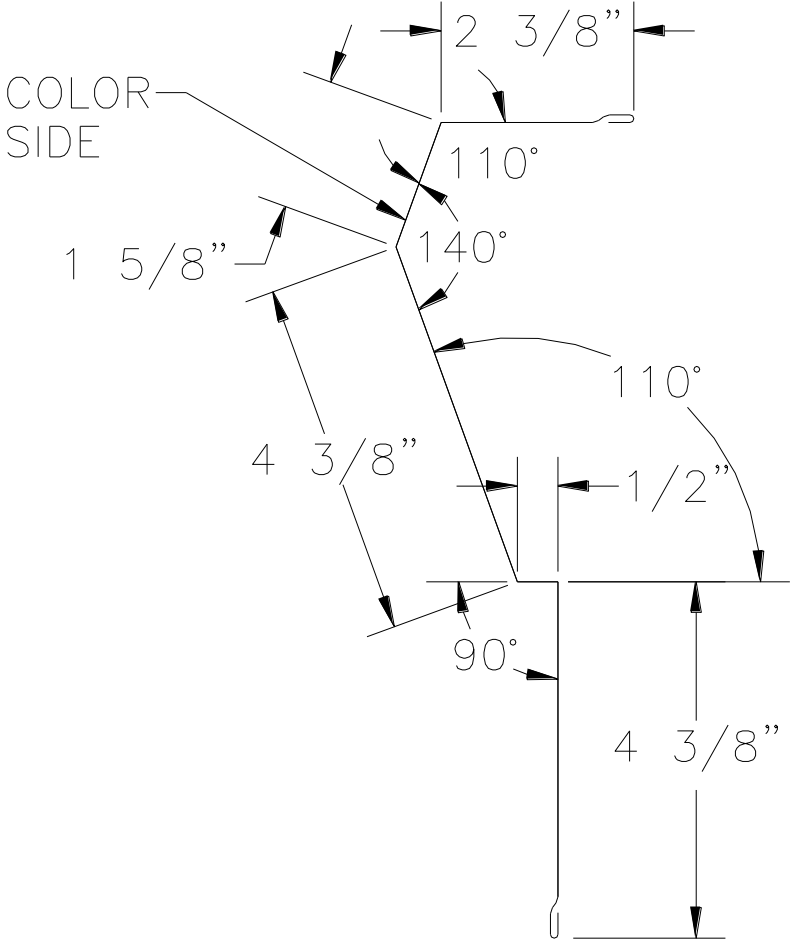
NOTE: ALL BENDS ARE 95° U.N.

EAVE FACIA (#116)

STANDING SEAM ROOF FLASHING

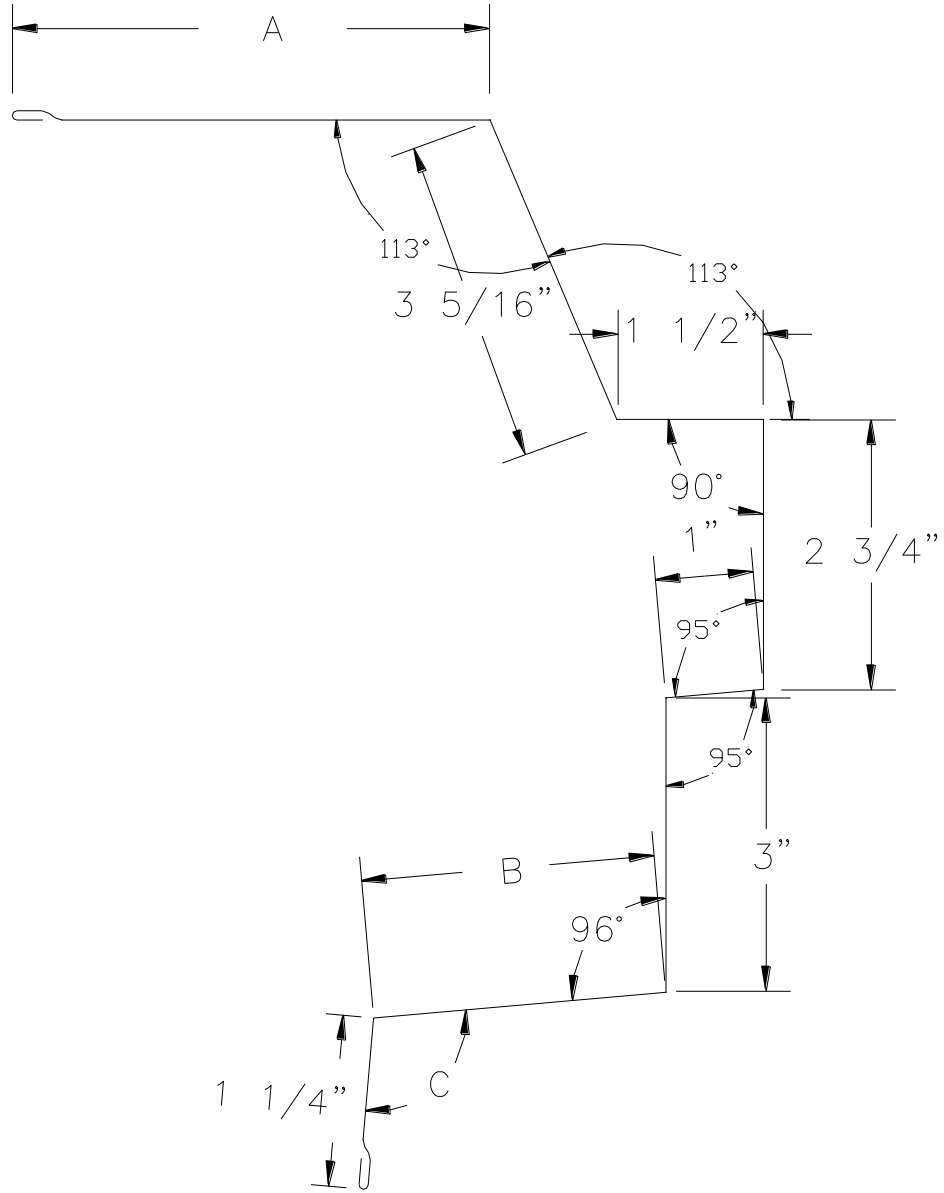
GIRTH = 14"

GAUGE = 26



EAVE TRIM (#126)

STANDING SEAM ROOF FLASHING
GIRTH = 14"
GAUGE = 26



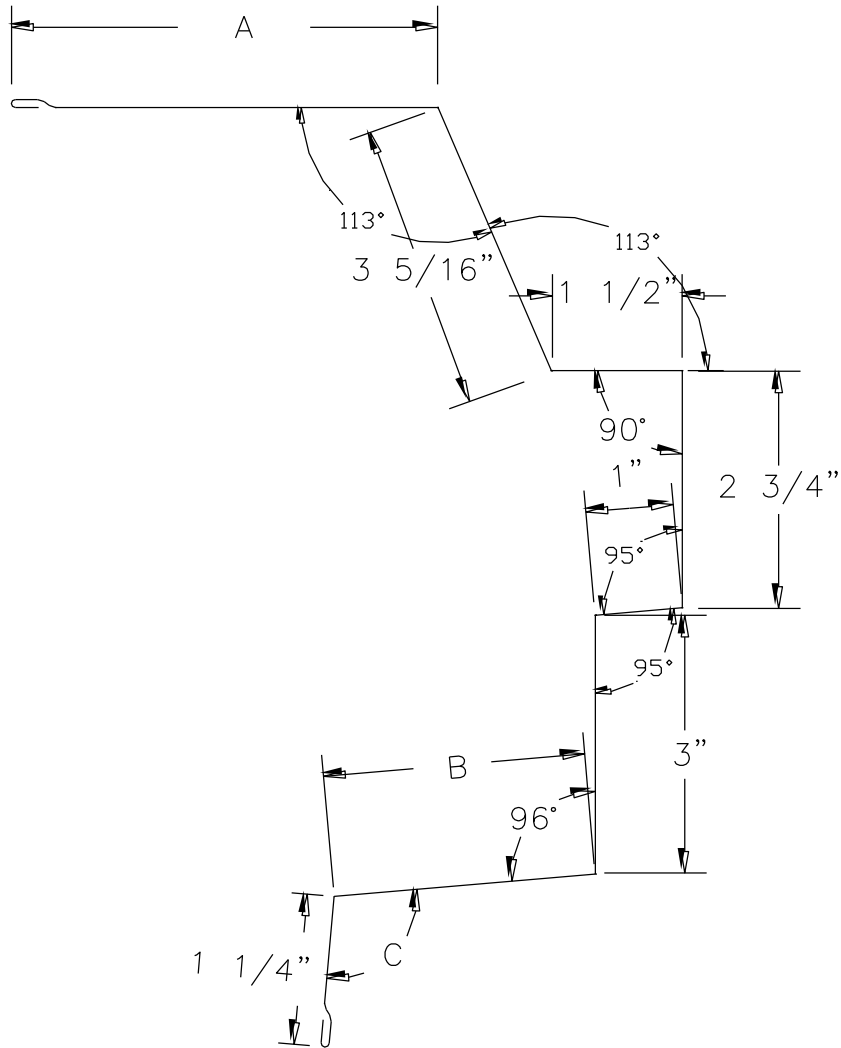
TS-324 HIGH SIDE CAP				
ROOF SLOPE	A	B	C	GIRTH
0.25:12	4 15/16"	2 3/4"	97°	21 1/4"
0.50:12	4 13/16"	2 7/8"	99°	21 1/4"
1.00:12	4 11/16"	3"	101°	21 1/4"
1.50:12	4 7/16"	3 1/4"	103°	21 1/4"

HIGH SIDE CAP (#136)

STANDING SEAM ROOF FLASHING

GIRTH = SEE TABLE

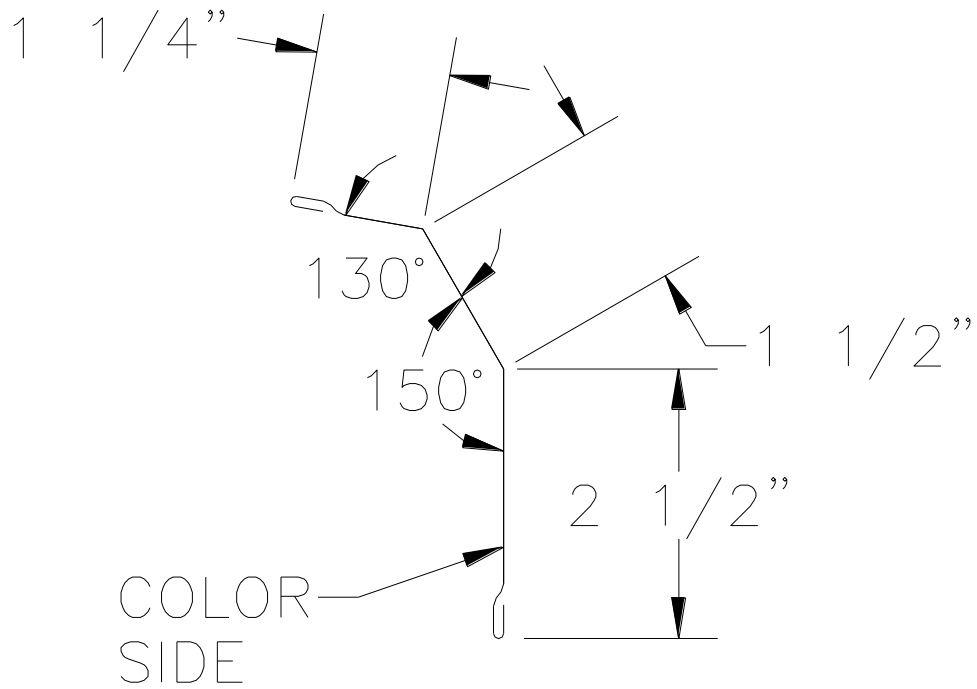
GAUGE = 26



TS-324 HIGH SIDE CAP				
ROOF SLOPE	A	B	C	GIRTH
2.00:12	6 15/16"	3 1/2"	106°	24"
2.50:12	6 11/16"	3 3/4"	108°	24"
3.00:12	6 7/16"	4"	110°	24"
3.50:12	6 3/16"	4 1/4"	112°	24"
4.00:12	5 15/16"	4 1/2"	115°	24"
4.50:12	7 11/16"	2 3/4"	117°	24"
5.00:12	7 3/16"	3 1/4"	119°	24"
5.50:12	7 3/16"	3 1/4"	121°	24"
6.00:12	6 7/16"	4"	123°	24"

HIGH SIDE CAP (#136L)

STANDING SEAM ROOF FLASHING
 GIRTH = 24"
 GAUGE = 26

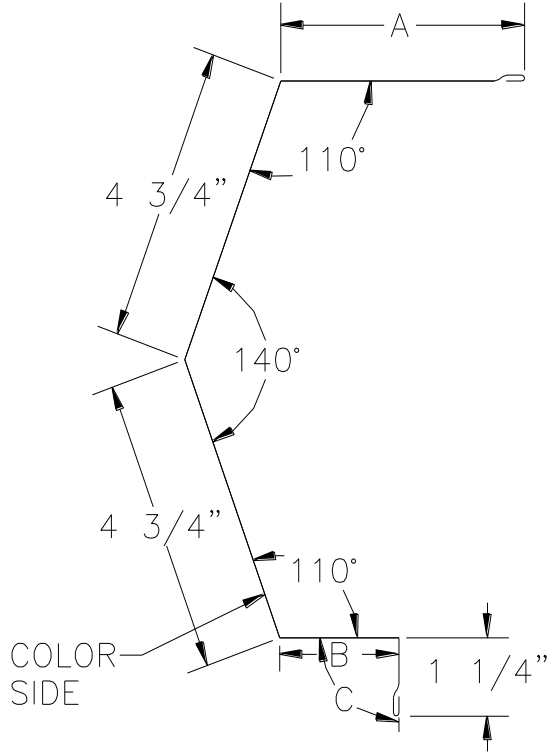


SIMPLE EAVE TRIM (#156)

STANDING SEAM ROOF FLASHING

GIRTH = 6"

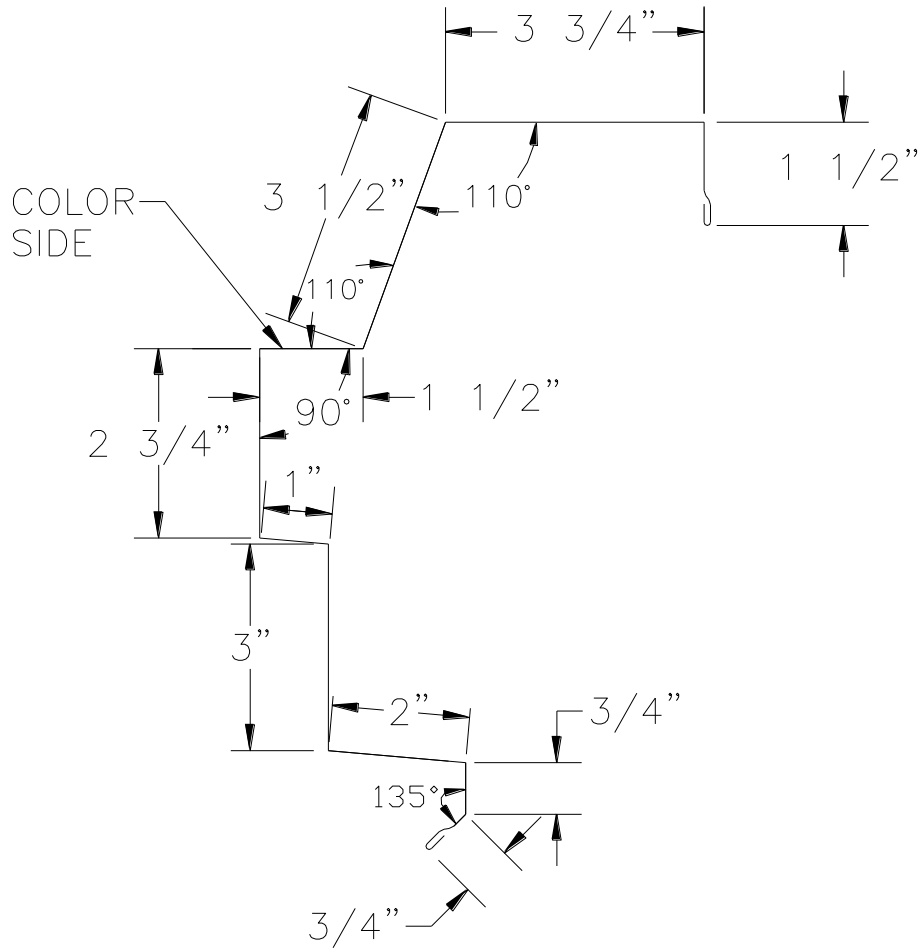
GAUGE = 26



HIGH SIDE CAP (#156M)

STANDING SEAM ROOF FLASHING
 GIRTH = 21 1/4"
 GAUGE = 26

TS-324 HIGH SIDE CAP				
ROOF SLOPE	A	B	C	GIRTH
0.25:12	7 3/4"	2"	91°	21 1/4"
0.50:12	7 3/4"	2"	92°	21 1/4"
1.00:12	7 3/4"	2"	95°	21 1/4"
1.50:12	7 3/4"	2"	97°	21 1/4"
2.00:12	7 3/4"	2"	99°	21 1/4"
2.50:12	7 3/4"	2"	102°	21 1/4"
3.00:12	7 3/4"	2"	104°	21 1/4"
4.00:12	7 5/8"	2 1/8"	108°	21 1/4"
5.00:12	7 9/16"	2 3/16"	113°	21 1/4"
6.00:12	7 1/2"	2 1/4"	117°	21 1/4"



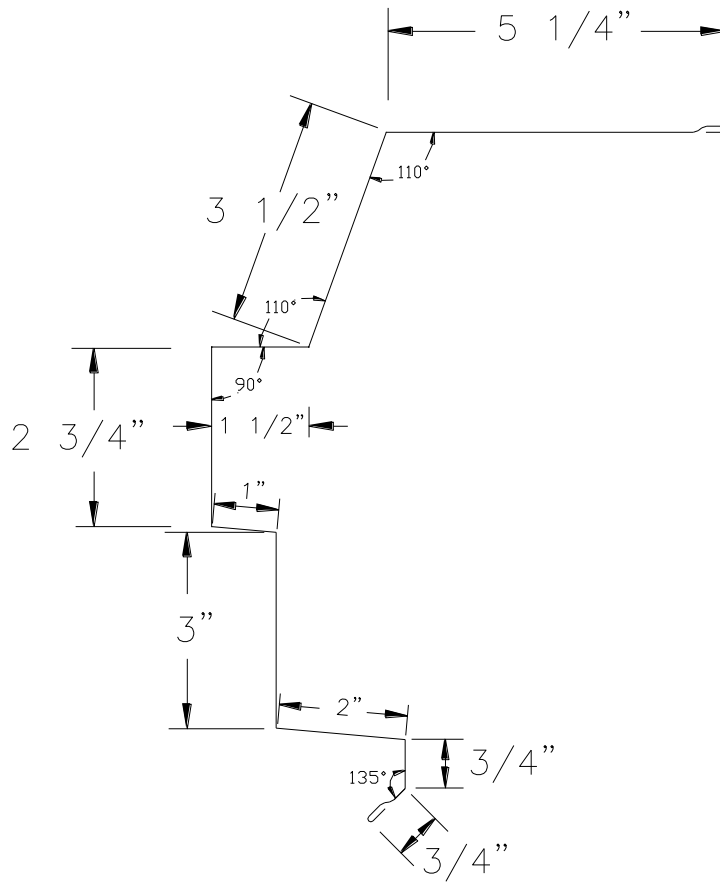
NOTE: ALL ANGLES ARE 95° U.N.

RAKE TRIM (#216)

STANDING SEAM ROOF PANEL

GIRTH = 21 1/4"

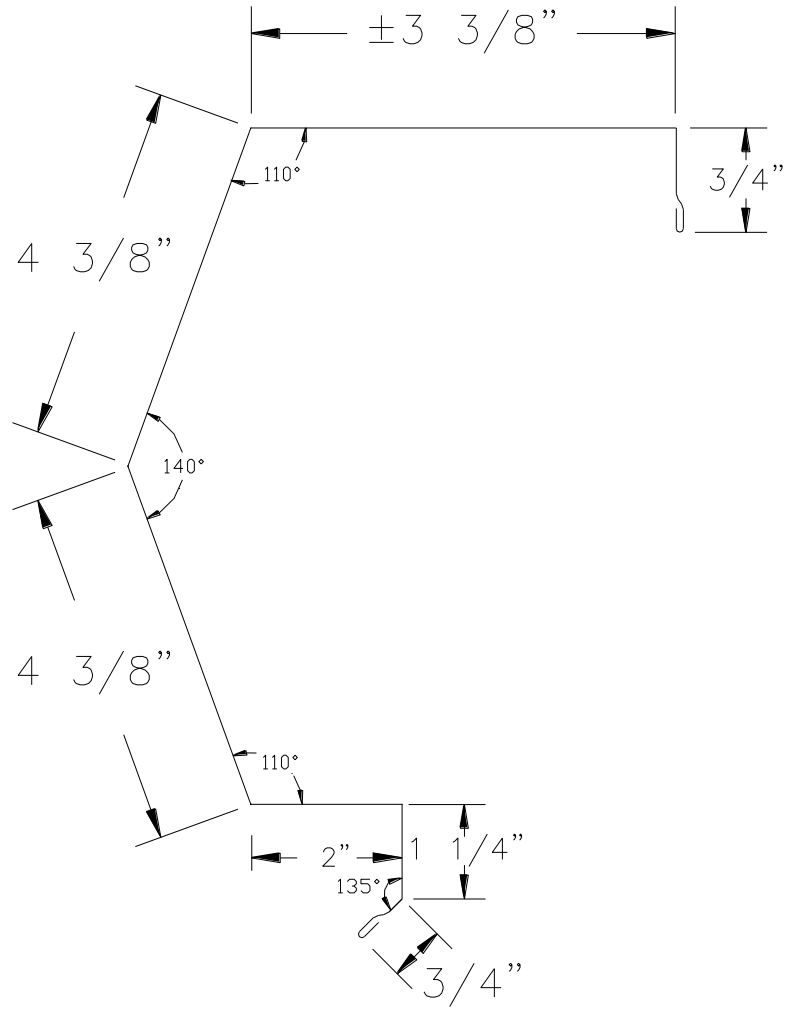
GAUGE = 26



NOTE: ALL ANGLES ARE 95° U.N.

RAKE TRIM (#226)

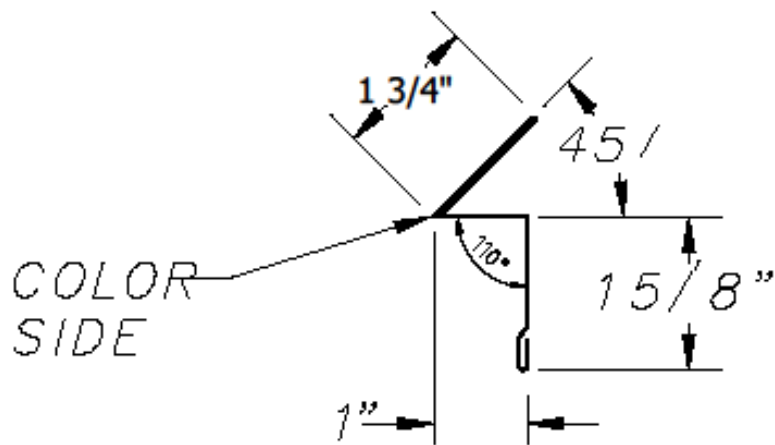
STANDING SEAM ROOF FLASHING
GIRTH = $21 \frac{1}{4}$ "
GAUGE = 26



NOTE: ALL ANGLES ARE 90° U.N.

RAKE TRIM (#236)

STANDING SEAM ROOF FLASHING
GIRTH = $17 \frac{5}{8}$ " (VARIES PER WALL PANEL)
GAUGE = 26

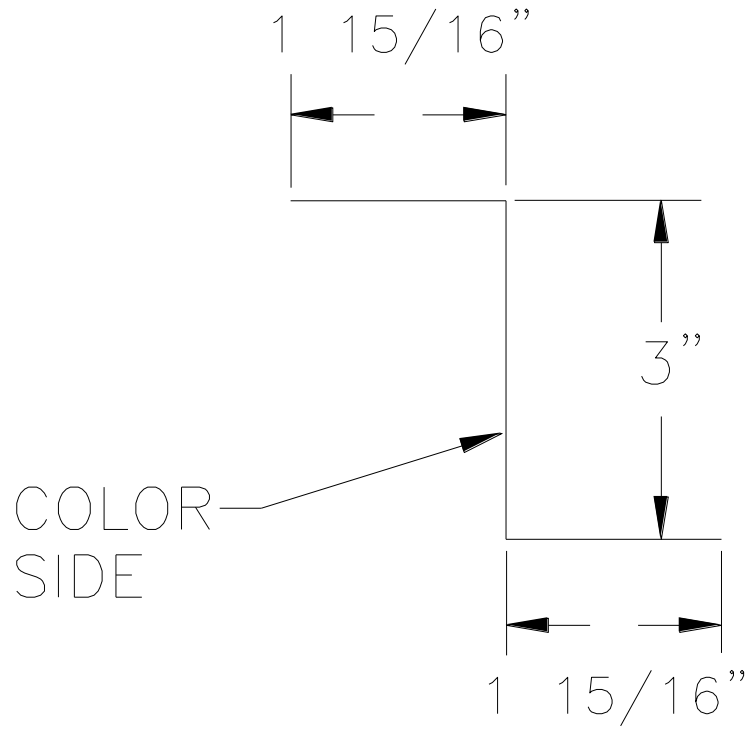


RAKE SLIDE (#246)

STANDING SEAM ROOF FLASHING

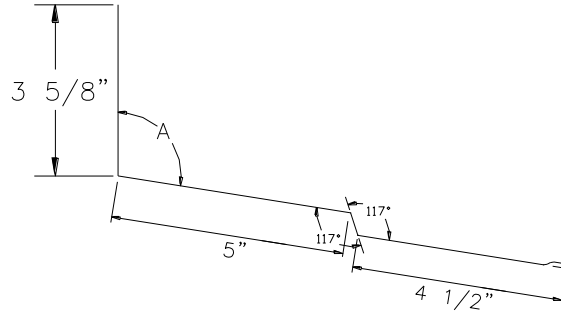
GIRTH = 6"

GAUGE = 26



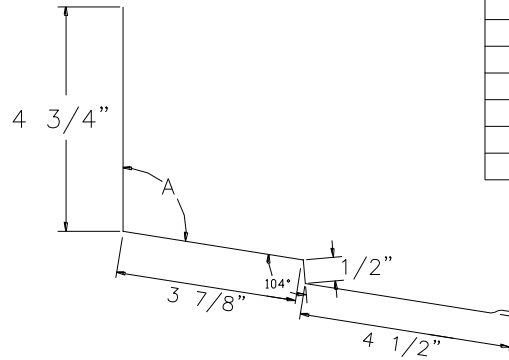
TERMINATION ZEE (#256)

STANDING SEAM ROOF FLASHING
GIRTH = $6 \frac{7}{8}$ "
GAUGE = 18



FOR ROOF SLOPES 3.5:12 – 6:12

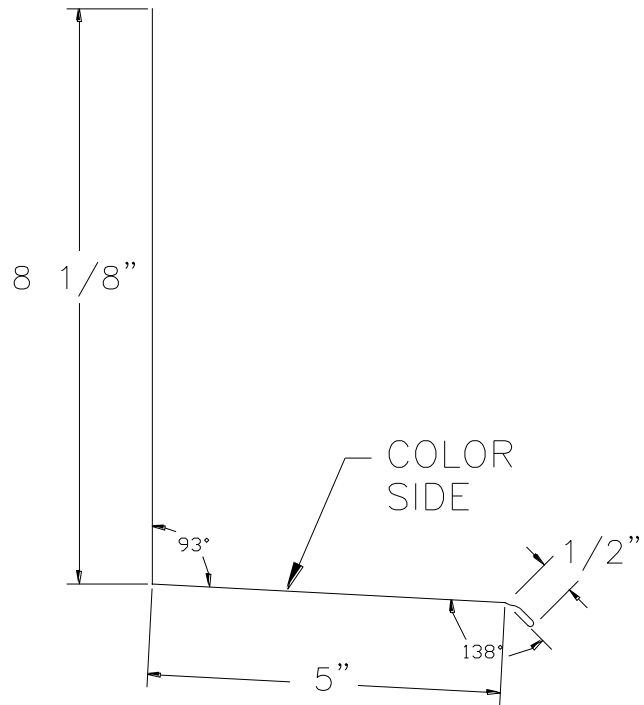
ANGLE CHART	
ROOF SLOPE	A
0.25:12	92°
0.5:12	92°
1.0:12	95°
2.0:12	99°
3.0:12	104°
4.0:12	108°
5.0:12	113°
6.0:12	117°



FOR ROOF SLOPES 0.25:12 – 3:12

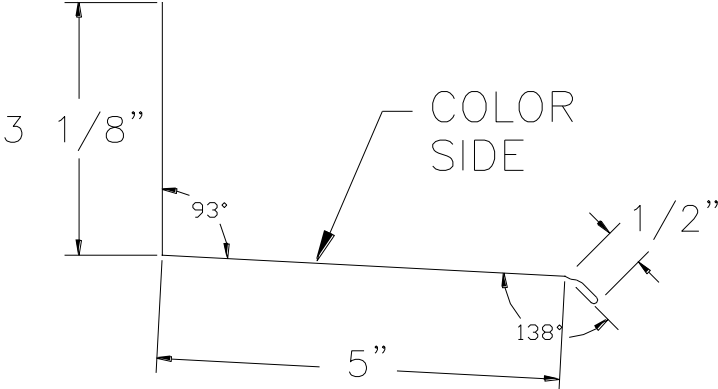
SIDEWALL HEIGHT CHANGE (#616)

STANDING SEAM ROOF FLASHING
 GIRTH = 14"
 GAUGE = 26



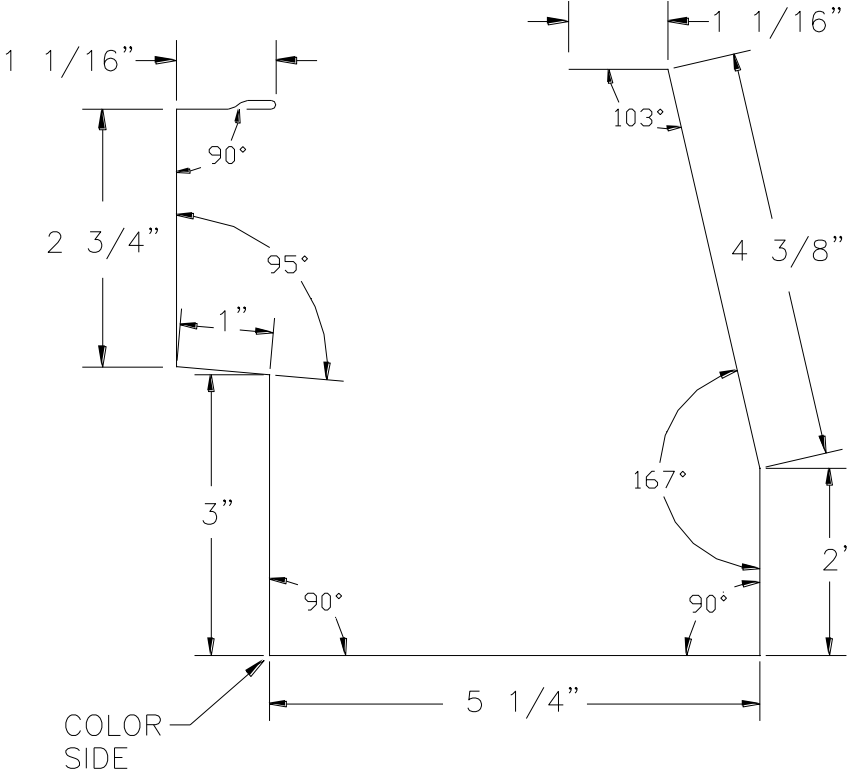
SIDEWALL HEIGHT CHANGE (#626L)

STANDING SEAM ROOF FLASHING
GIRTH = 14"
GAUGE = 26

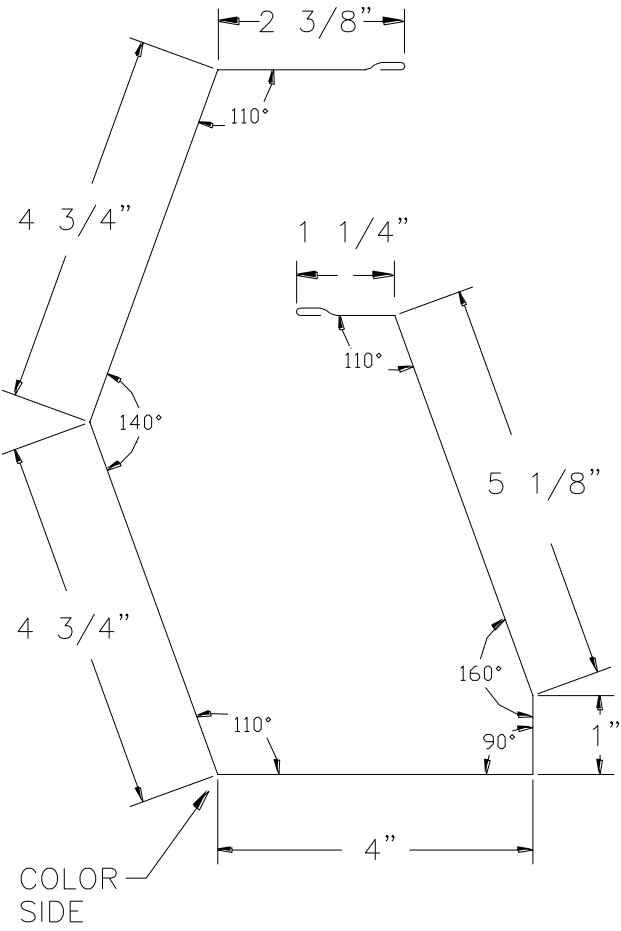


SIDEWALL HEIGHT CHANGE (#626S)

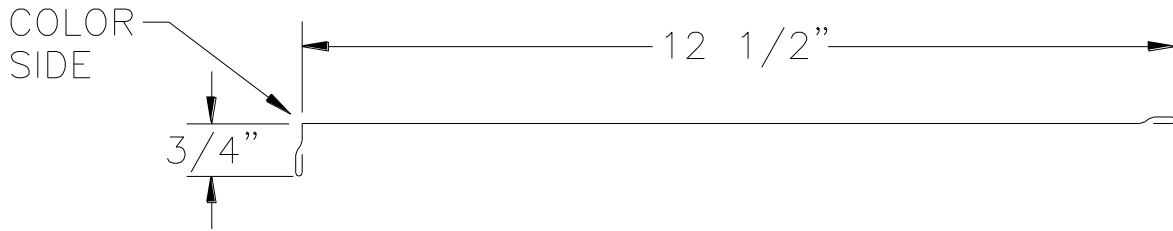
STANDING SEAM ROOF FLASHING
GIRTH = 9"
GAUGE = 26



SNOW GUTTER (#816)
STANDING SEAM ROOF FLASHING
GIRTH = 21 1/4"
GAUGE = 26



NO SNOW GUTTER (#856)
STANDING SEAM ROOF FLASHING
GIRTH = 24"
GAUGE = 26

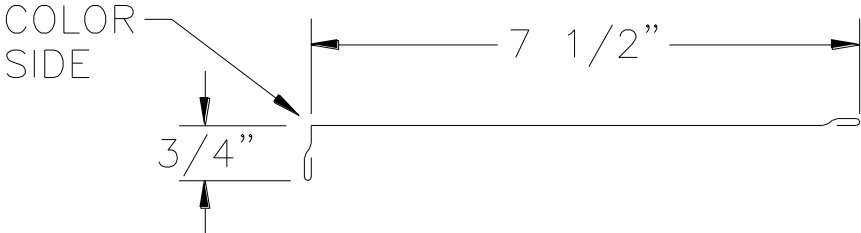


VARIABLE TERMINATION TRIM (#956L)

STANDING SEAM ROOF FLASHING

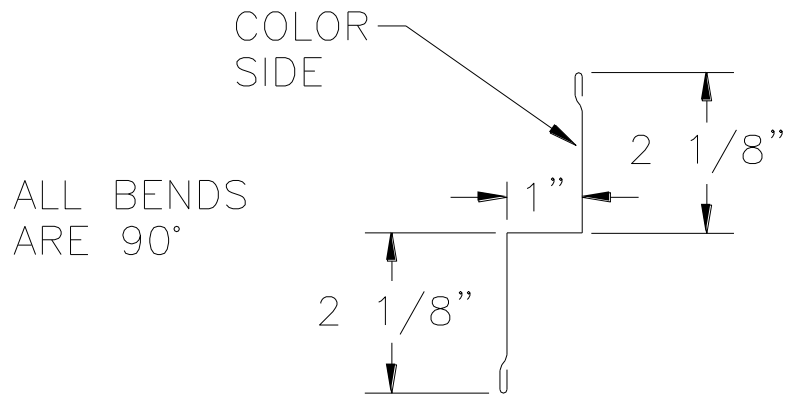
GIRTH = 14"

GAUGE = 26



VARIABLE TERMINATION TRIM (#956S)

STANDING SEAM ROOF FLASHING
GIRTH = 9"
GAUGE = 26

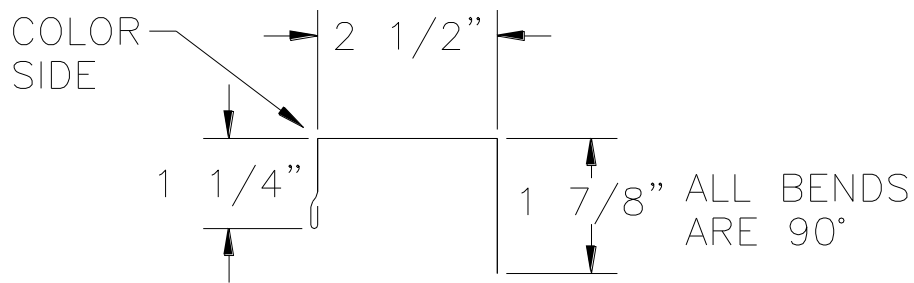


EXPANSION FLASHING TOP (#966)

STANDING SEAM ROOF FLASHING

GIRTH = 6"

GAUGE = 26



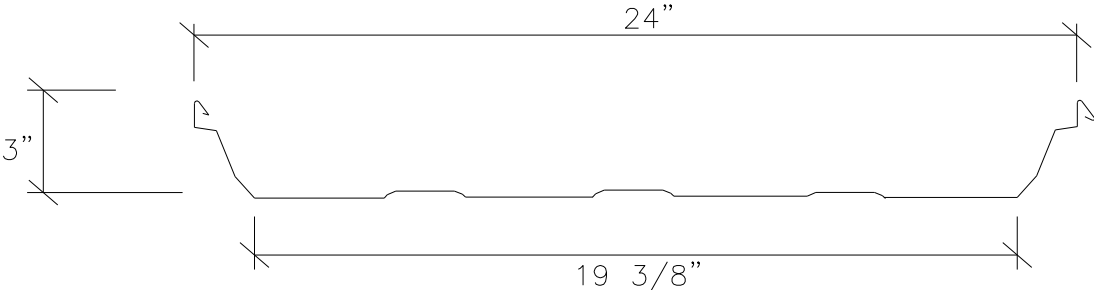
EXPANSION FLASHING BOTTOM (#976)

STANDING SEAM ROOF FLASHING

GIRTH = 6"

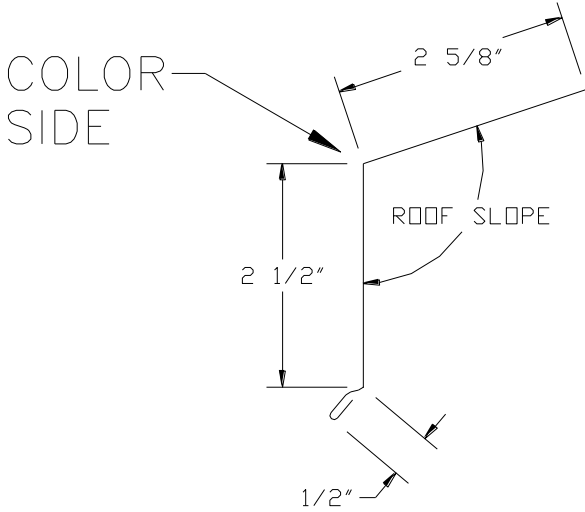
GAUGE = 26

SSMR



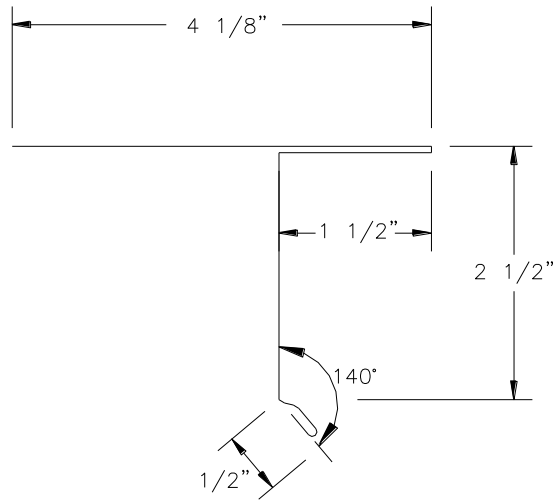
Vintage Rib Applications

ANGLE CHART	
ROOF SLOPE	DEGREE'S
1:12	95°
2:12	100°
3:12	105°
4:12	110°



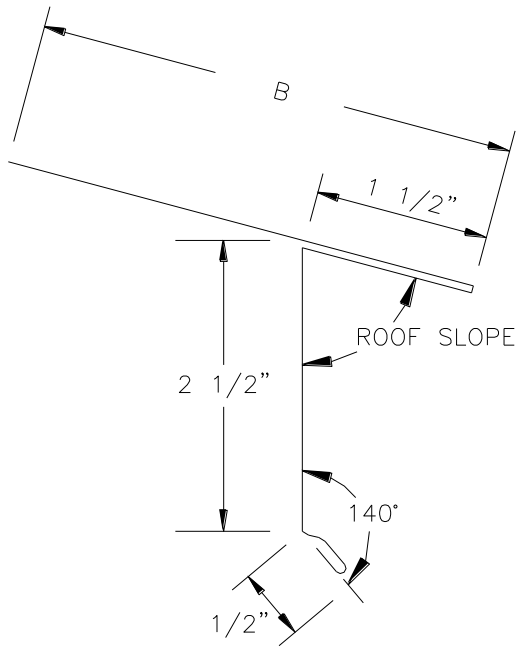
EAVE FLASHING (#127)

GIRTH = 6"
GAUGE = 26



DRIP EDGE (#137)

GIRTH = 9"
GAUGE = 26

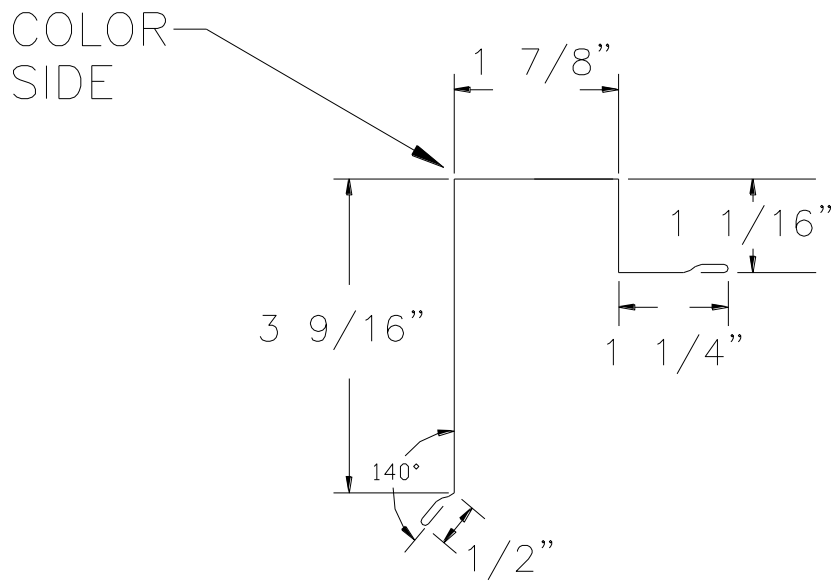


ROOF SLOPE	A	A	ANGLE
1	2.5625	4.0625	85°
2	2.5625	4.0625	81°
3	2.6250	4	76°
4	2.6875	3.9375	72°
5	2.7500	3.8750	67°
6	2.8125	3.8125	63°
7	2.9375	3.6875	60°
8	3.0625	3.5625	56°
9	3.1250	3.5000	53°
10	3.3125	3.3125	50°
11	3.4375	3.1875	47°
12	3.5625	3.0625	45°

EAVE FLASHING (#147)

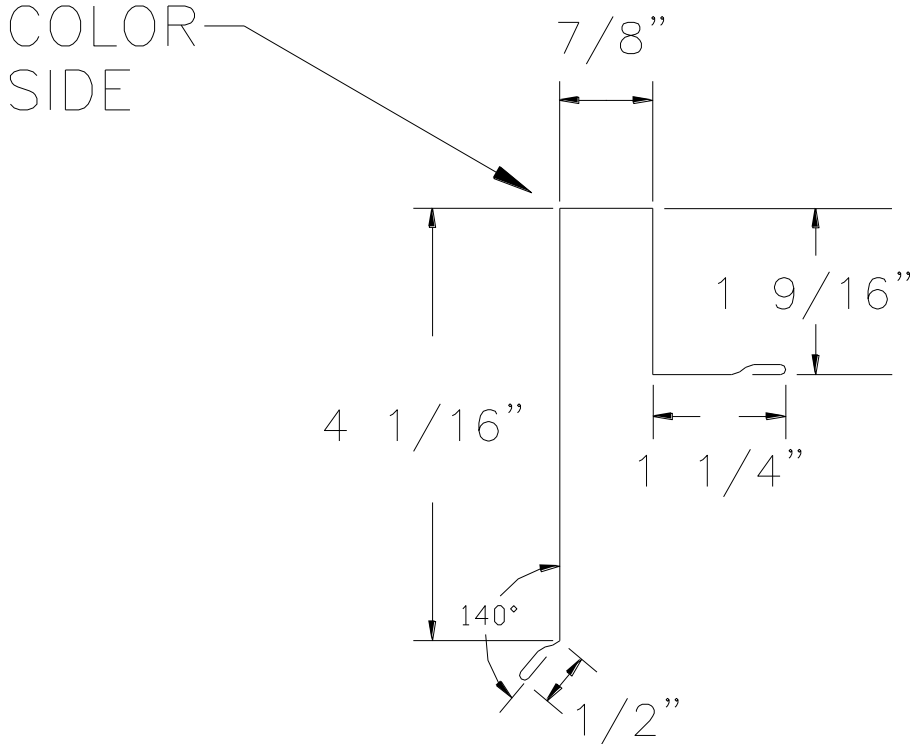
GIRTH = 9"

GAUGE = 26



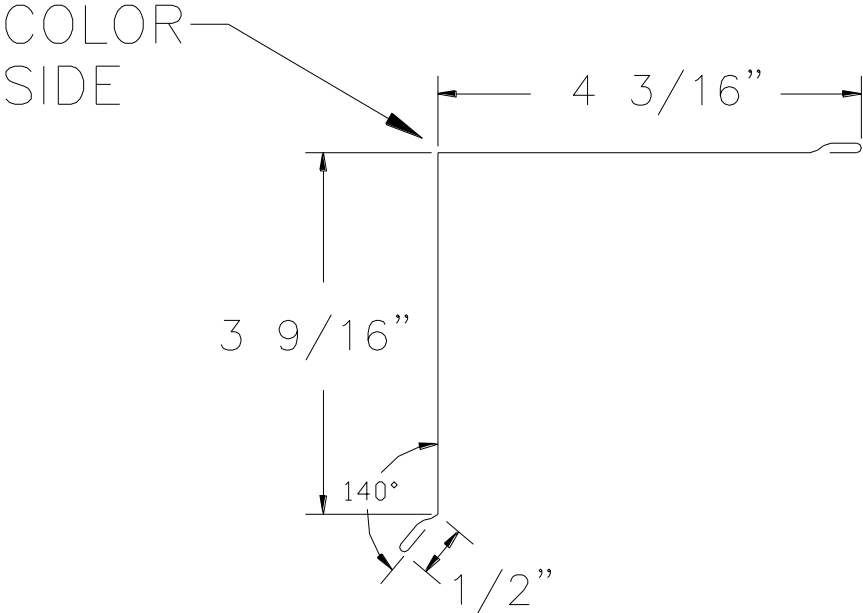
RAKE TRIM (#217)

GIRTH = 9"
GAUGE = 26



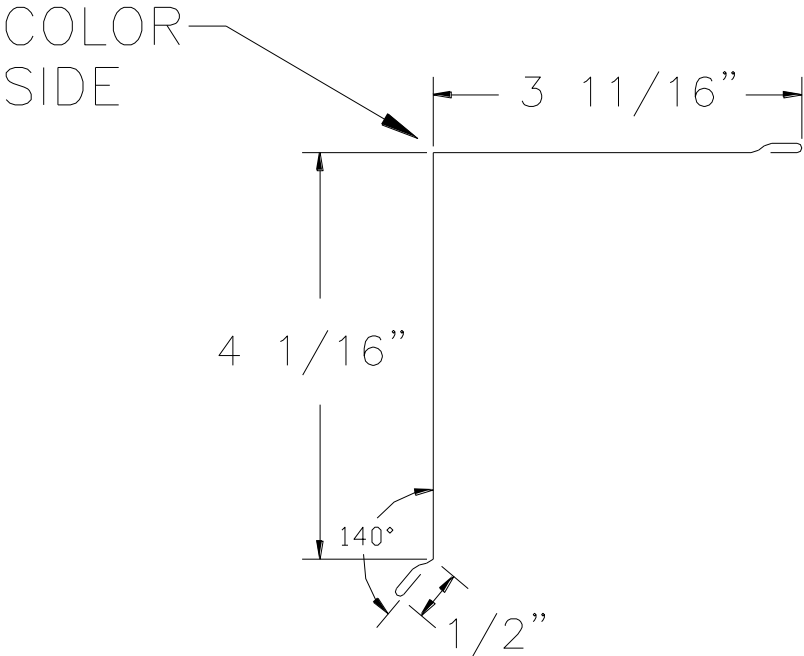
RAKE TRIM (#227)

GIRTH = 9"
GAUGE = 26



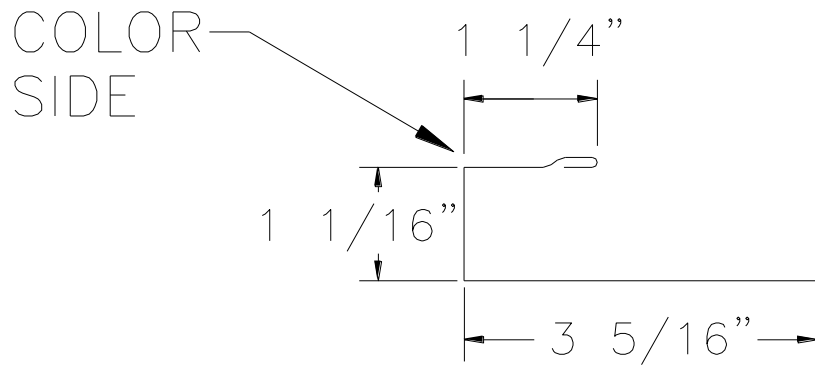
RAKE TRIM (#237)

GIRTH = 9"
GAUGE = 26



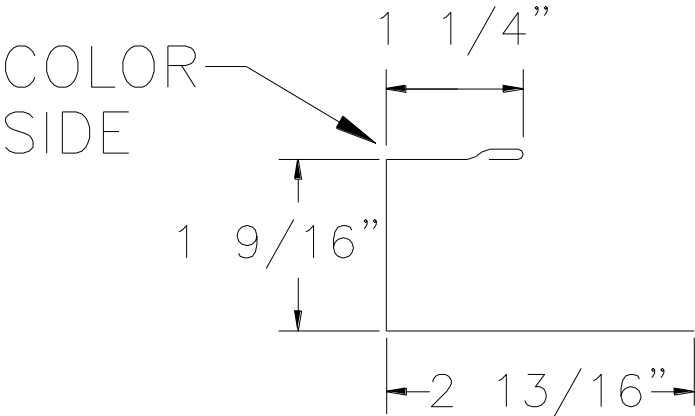
RAKE TRIM (#247)

GIRTH = 9"
GAUGE = 26



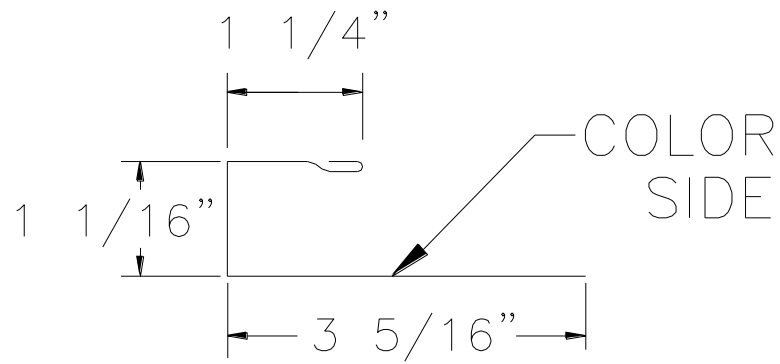
PANEL CAP (#517)

GIRTH = 6"
GAUGE = 26



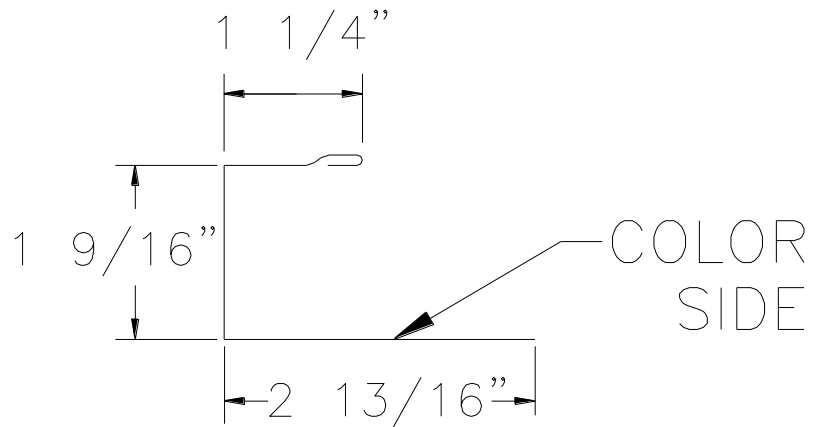
PANEL CAP (#527)

GIRTH = 6"
GAUGE = 26



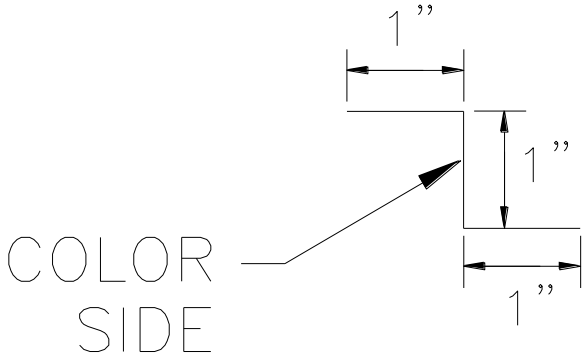
PANEL CAP (#537)

GIRTH = 6"
GAUGE = 26



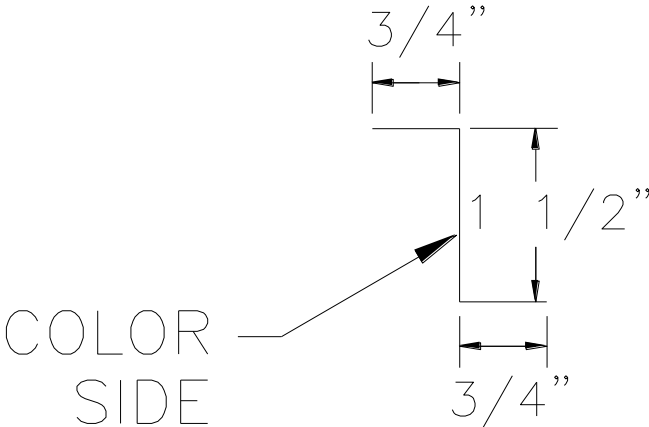
PANEL CAP (#547)

GIRTH = 6"
GAUGE = 26



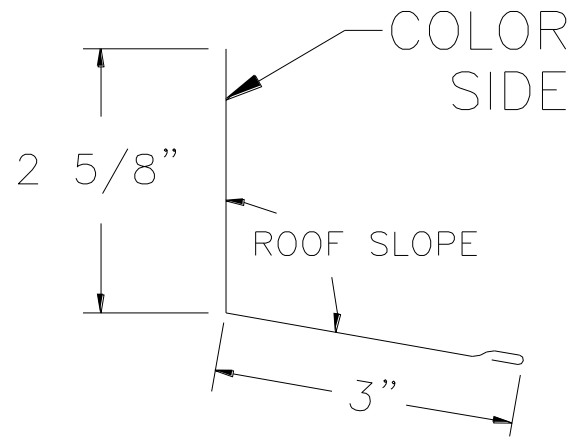
Z CLOSURE (#557)

GIRTH = 3"
GAUGE = 26



Z CLOSURE (#567)

GIRTH = 3"
GAUGE = 26

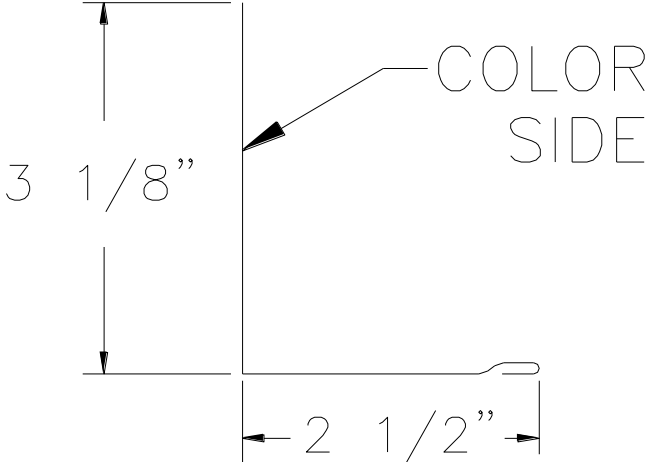


SW HT CHANGE (#617)

USE WITH VINTAGE RIB 1"

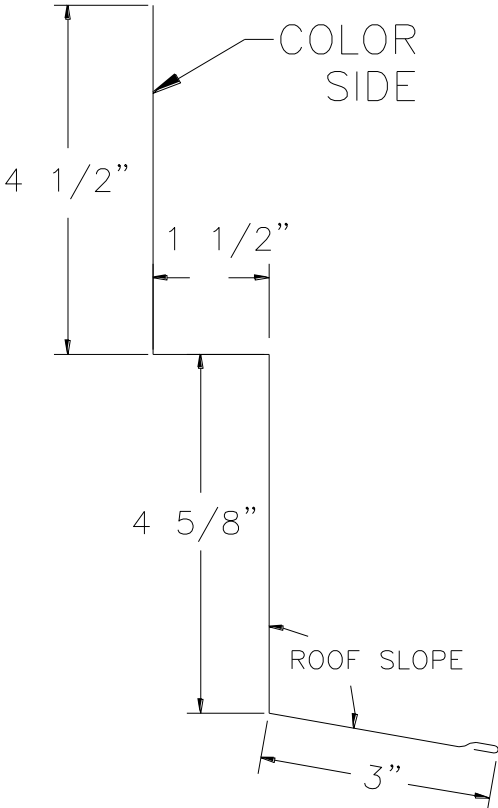
GIRTH = 6"

GAUGE = 26



EW HT CHANGE (#627)

GIRTH = 6"
GAUGE = 26

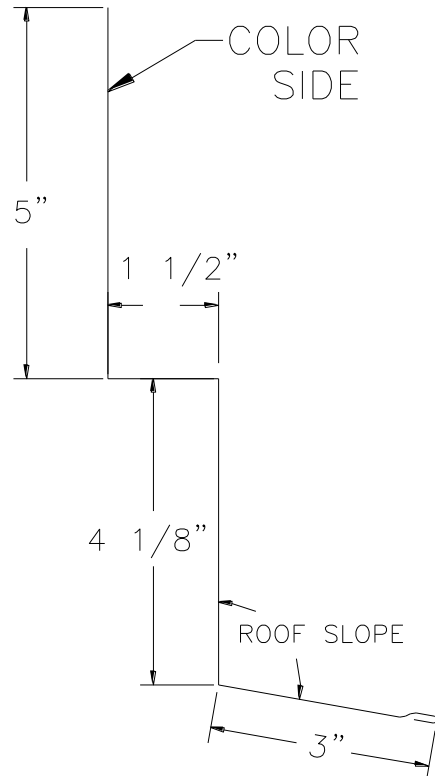


SW HT CHANGE (#637)

USE WITH VINTAGE RIB 1"

GIRTH = 14"

GAUGE = 26

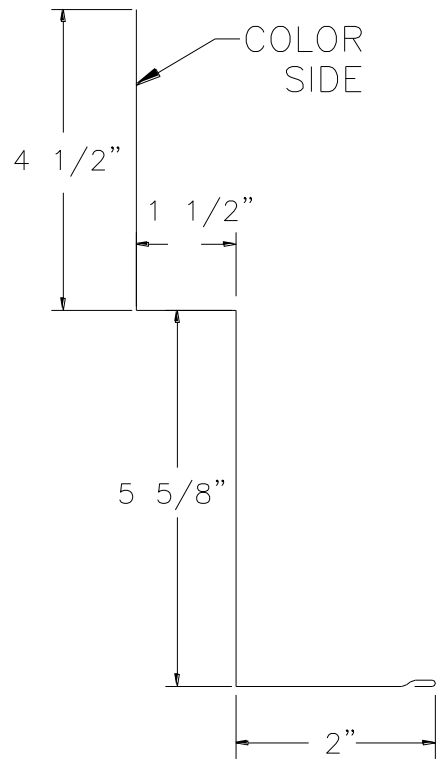


SW HT CHANGE (#647)

USE WITH VINTAGE RIB 1 1/2"

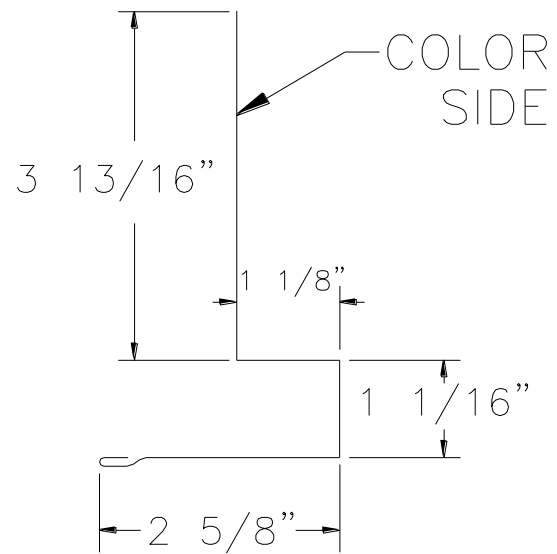
GIRTH = 14"

GAUGE = 26



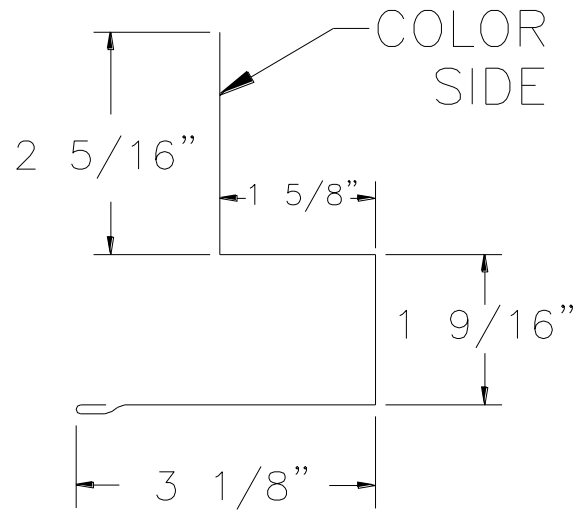
EW HT CHANGE (#657)

GIRTH = 14"
GAUGE = 26



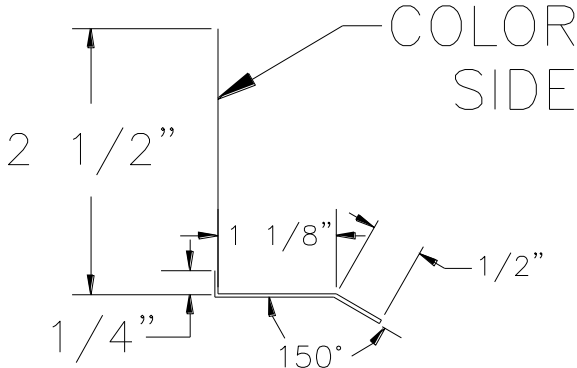
FASCIA/SOFFIT TRIM (#917)

GIRTH = 9"
GAUGE = 26



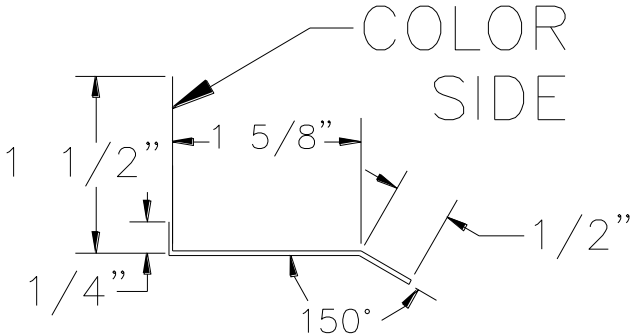
FASCIA/SOFFIT TRIM (#927)

GIRTH = 9"
GAUGE = 26



FASCIA TRIM (#937)

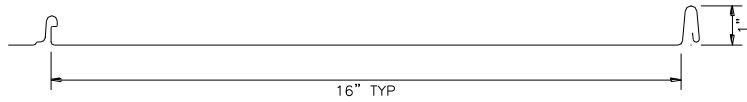
GIRTH = 6"
GAUGE = 26



FASCIA TRIM (#947)

GIRTH = 6"
GAUGE = 26

Vintage Rib 1, Vintage Rib 1.5 PANEL PROFILE



FLAT PAN

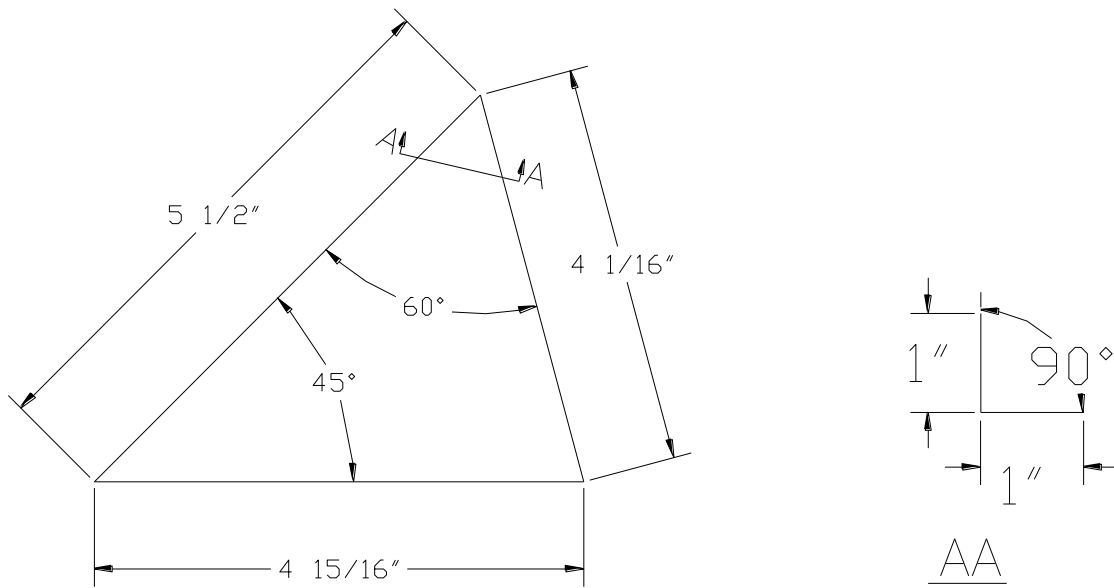


WITH MINOR RIBS



WITH STRIATIONS

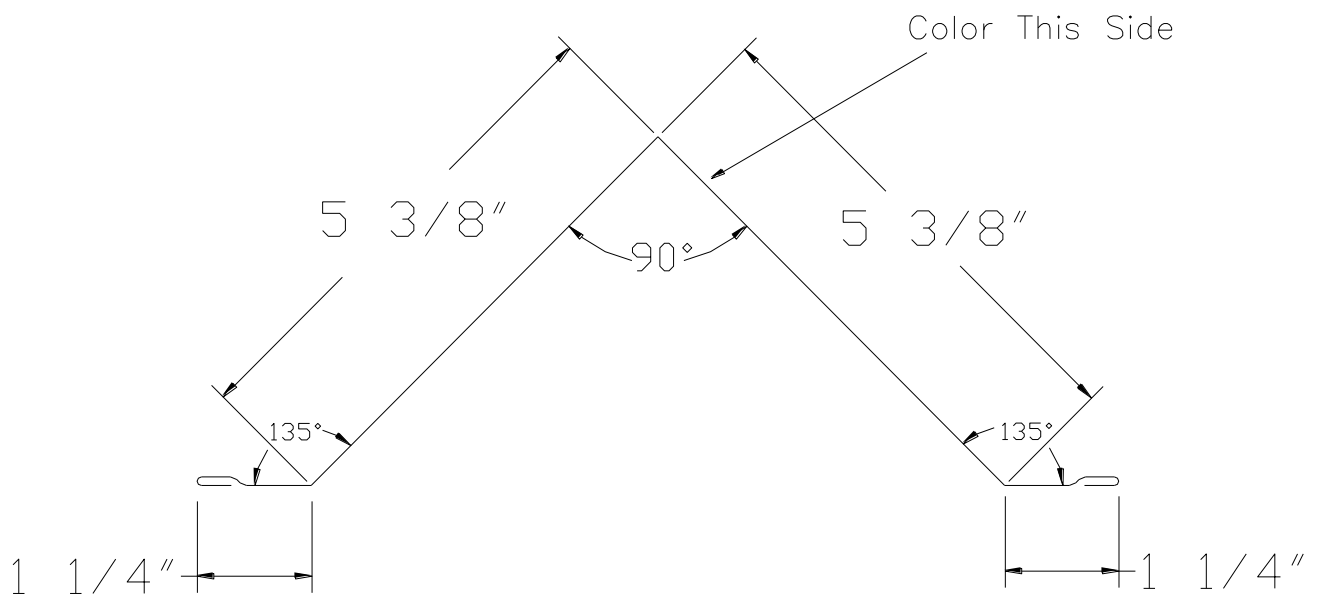
Mini-Storage Applications



NOTE: 1 END CAP= 1-LEFT 1-RIGHT

Expansion Joint End Cap (EJR-E)

STORAGE UNIT TRIM
GAUGE = 26

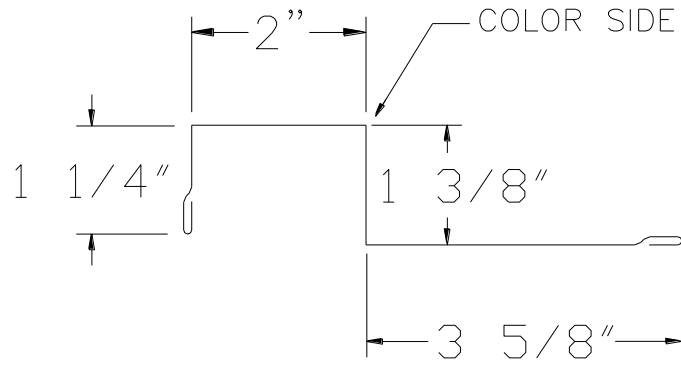


EXPANSION FLASHING ROOF (EJR)

STORAGE UNIT TRIM

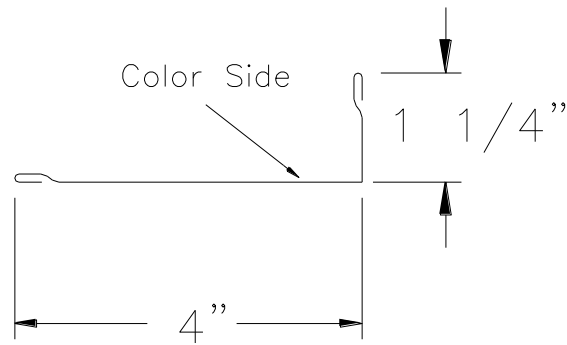
GIRTH = 14"

GAUGE = 26



EXPANSION TRIM LEFT WALL (EJW-L)

STORAGE UNIT TRIM
GIRTH = 9"
GAUGE = 26

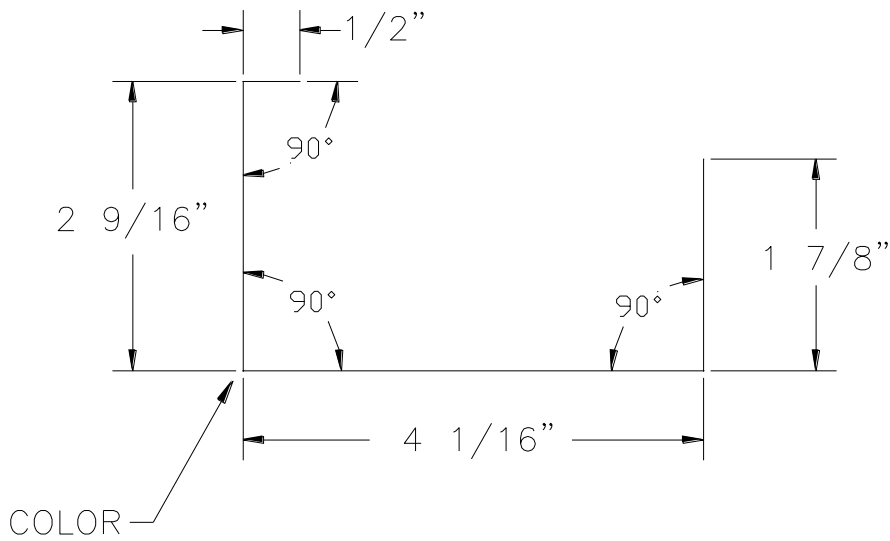


EXPANSION TRIM RIGHT WALL (EJW-R)

STORAGE UNIT TRIM

GIRTH = 6"

GAUGE = 26

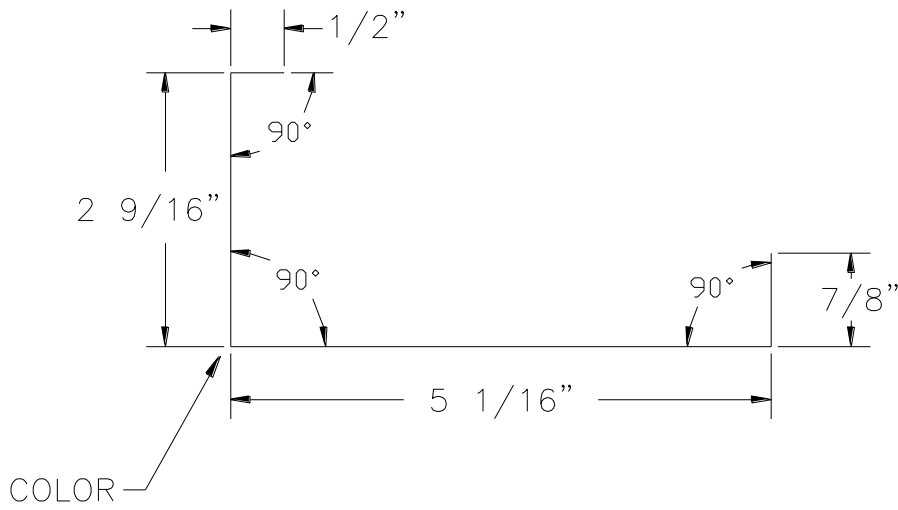


4" HEADER COVER (HC4)

STORAGE UNIT TRIM

GIRTH = 9"

GAUGE = 26

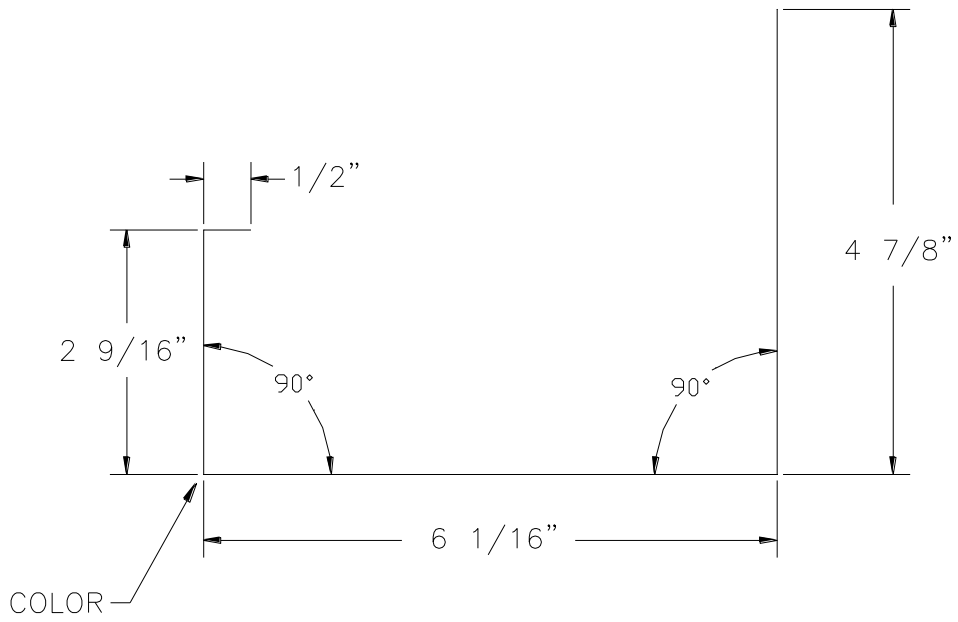


5" HEADER COVER (HC5)

STORAGE UNIT TRIM

GIRTH = 9"

GAUGE = 26

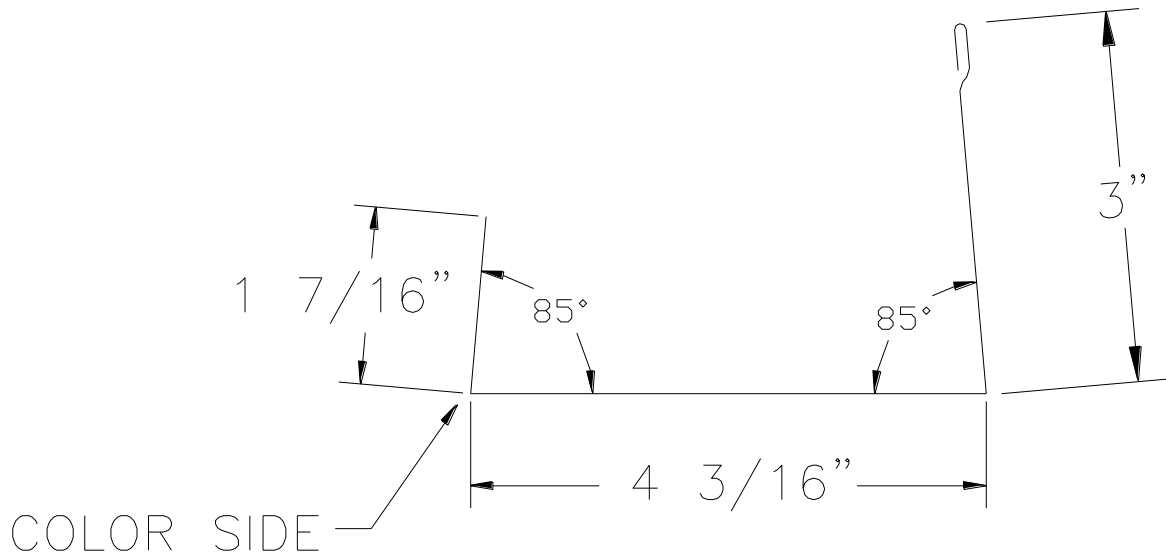


6" HEADER COVER (HC6)

STORAGE UNIT TRIM

GIRTH = 14"

GAUGE = 26

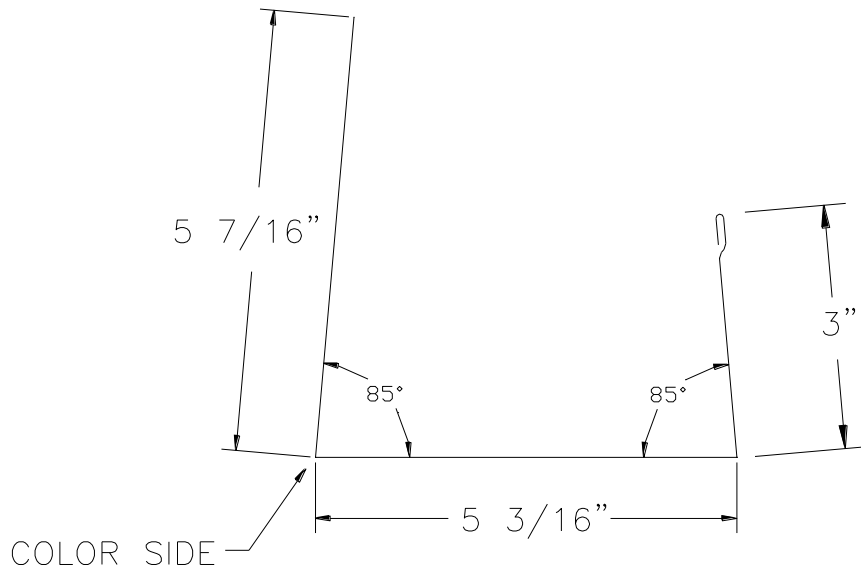


4" JAMB WRAP (JM4)

STORAGE UNIT TRIM

GIRTH = 9"

GAUGE = 26

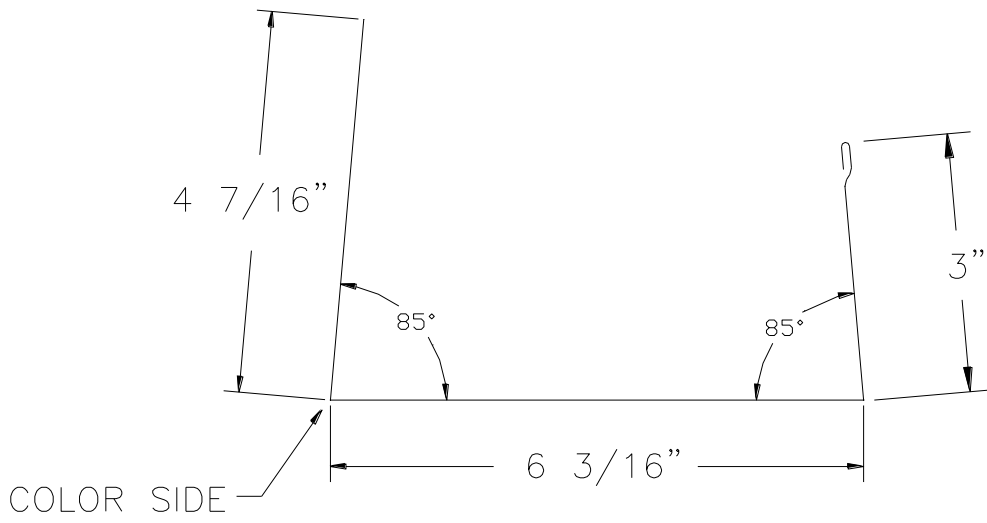


5" JAMB WRAP (JM5)

STORAGE UNIT TRIM

GIRTH = 14"

GAUGE = 26

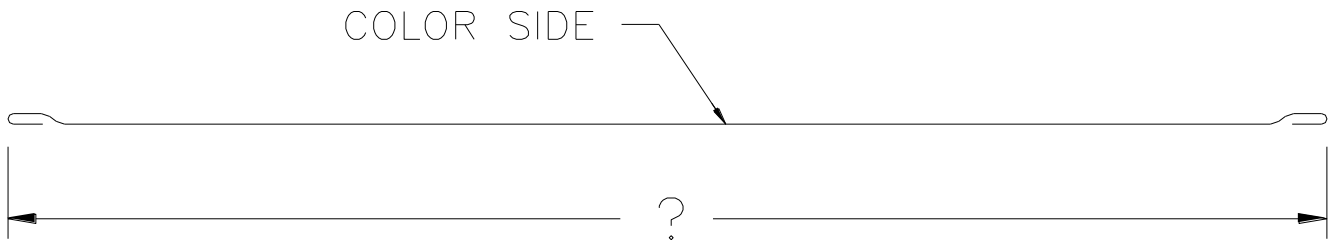


6" JAMB WRAP (JM6)

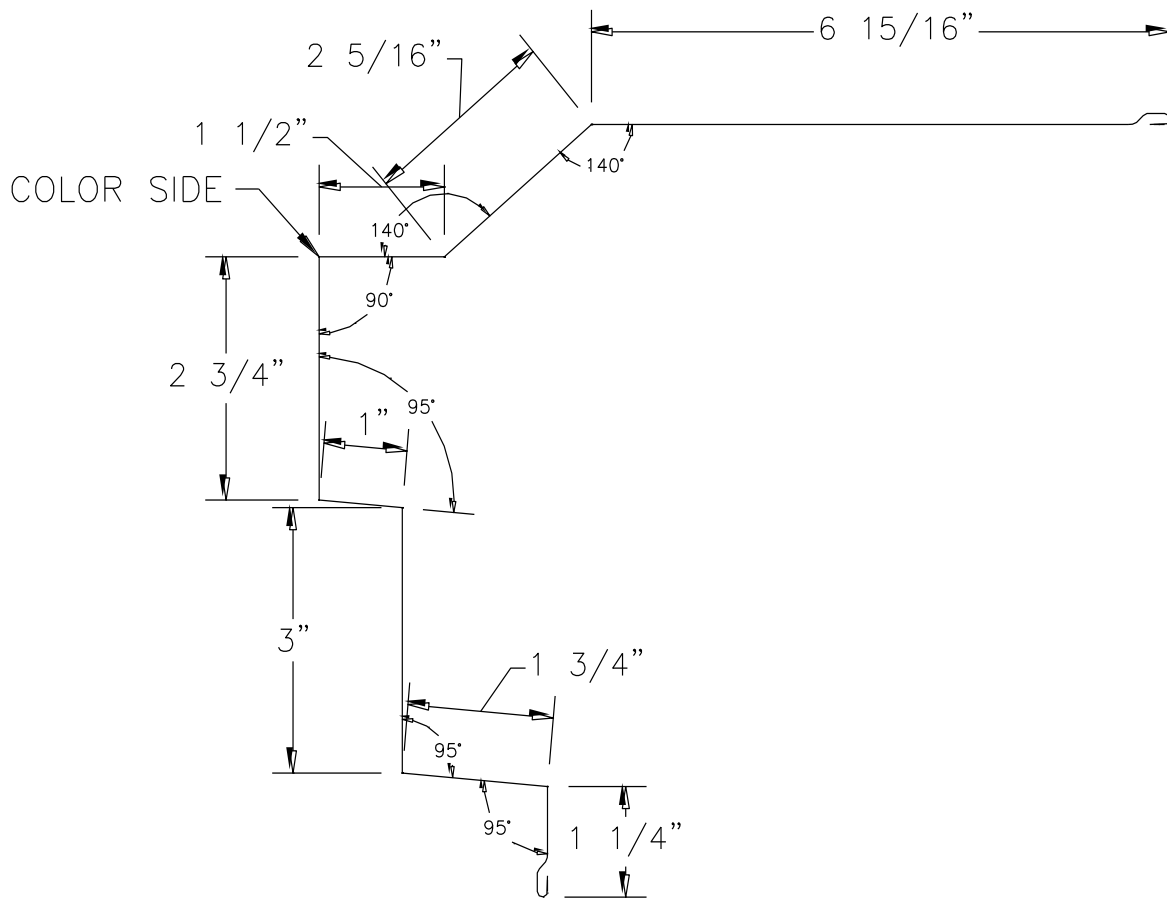
STORAGE UNIT TRIM

GIRTH = 14"

GAUGE = 26



JAMB PANEL (JP-?)
STORAGE UNIT TRIM
GIRTH = VARIES
GAUGE = 26



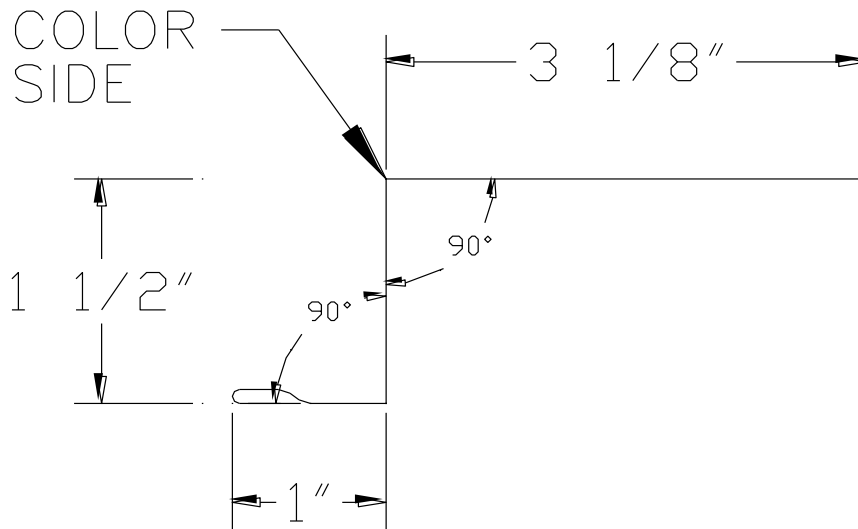
RAKE FACIS (#218)

COMMERCIAL FLASHING

GIRTH = 21 1/4"

GAUGE = 26

L = 11

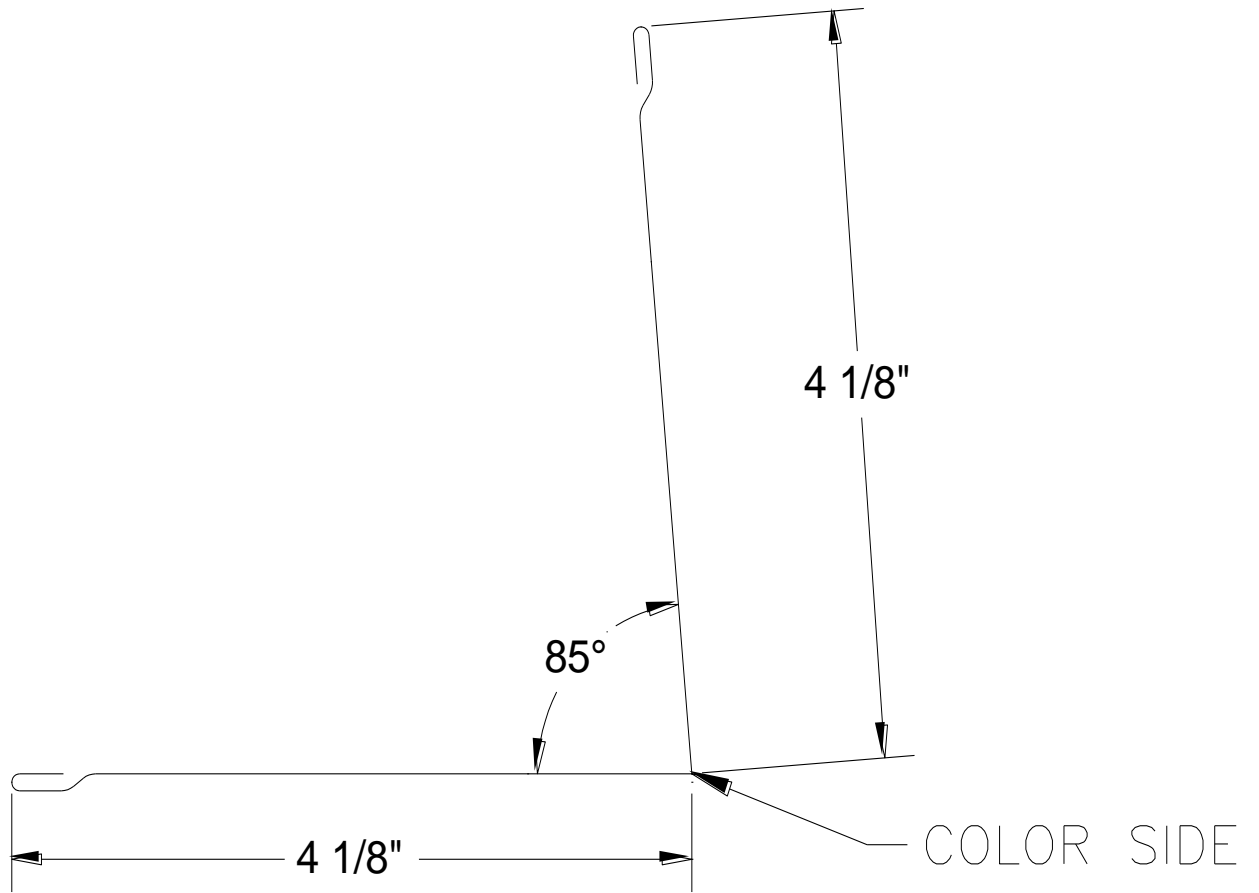


RAKE SPACER (#248)

STANDING SEAM ROOF FLASHING

GIRTH = 6''

GAUGE = 26



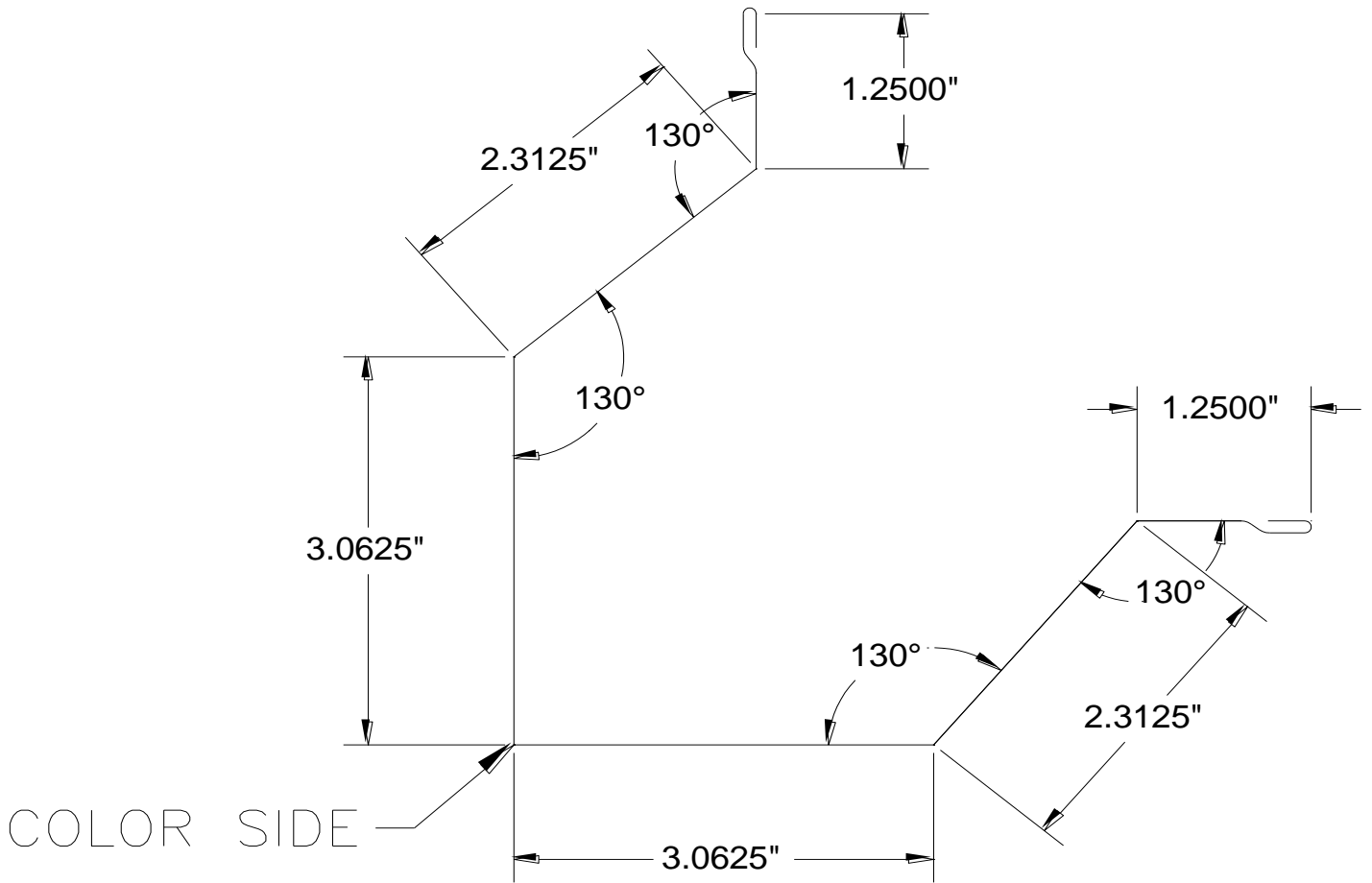
OUTSIDE CORNER (#318)

COMMERCIAL FLASHING

GIRTH = 9"

GAUGE = 26

L = 3



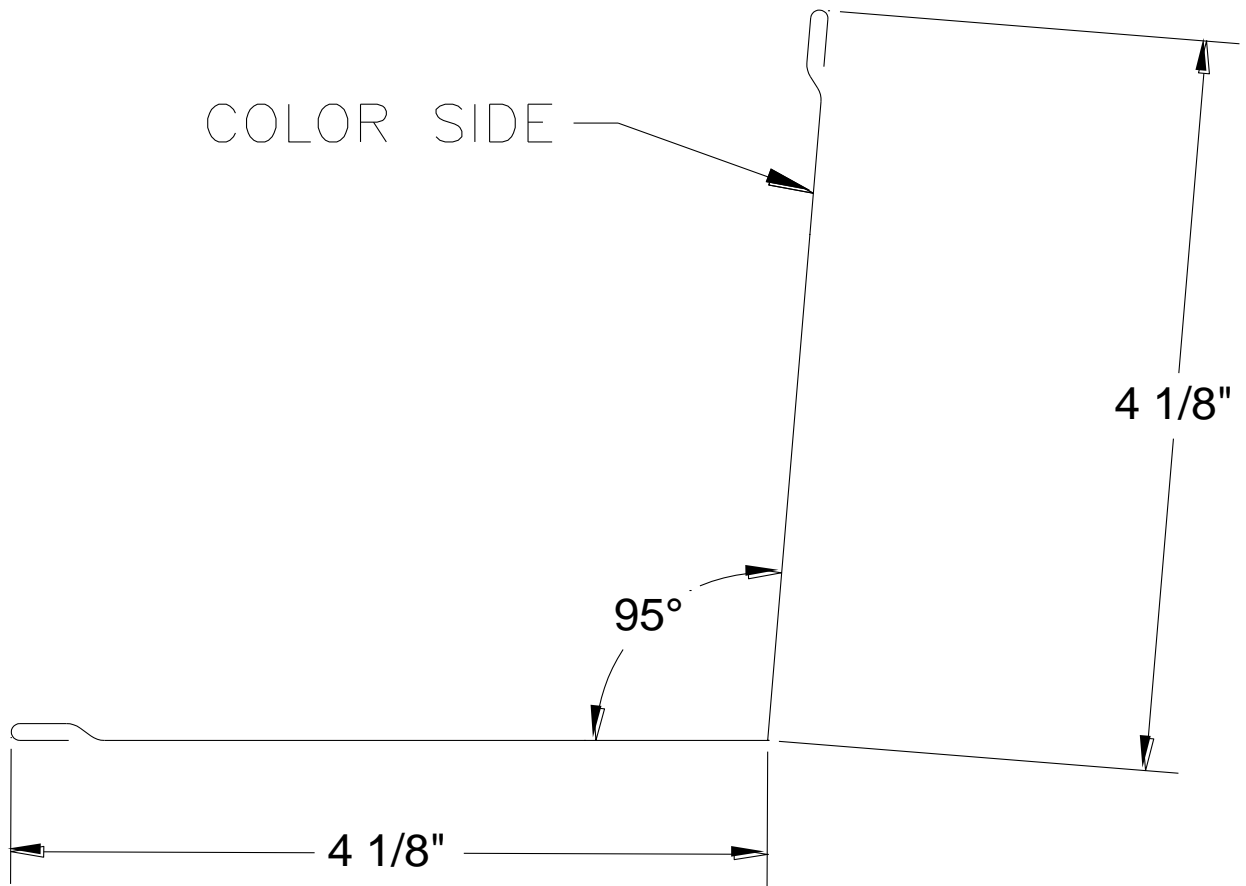
OUTSIDE CORNER (#318V)

COMMERCIAL FLASHING

GIRTH = 14"

GAUGE = 26

L = 7



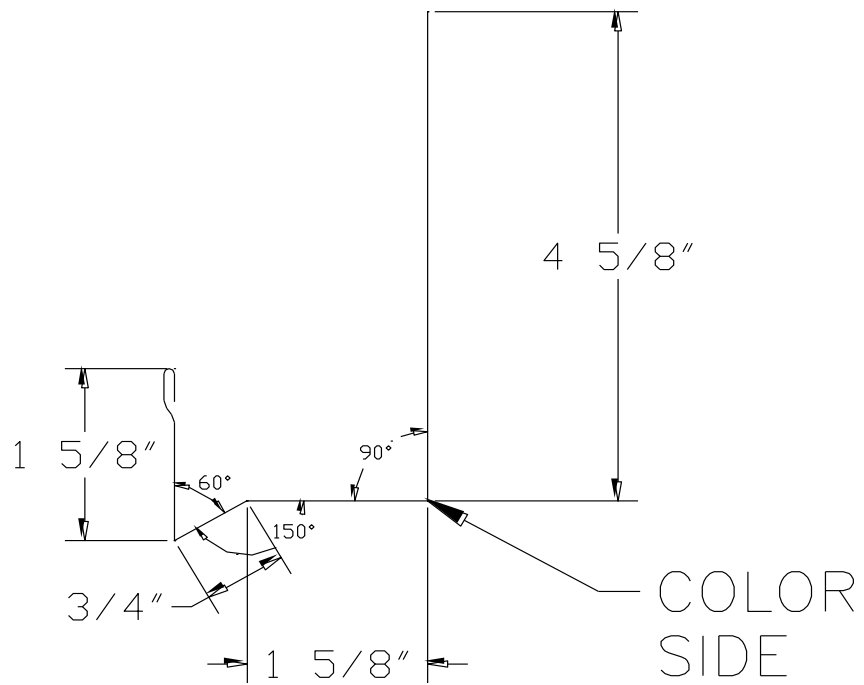
INSIDE CORNER (#328)

COMMERCIAL FLASHING

GIRTH = 9"

GAUGE = 26

L = 3

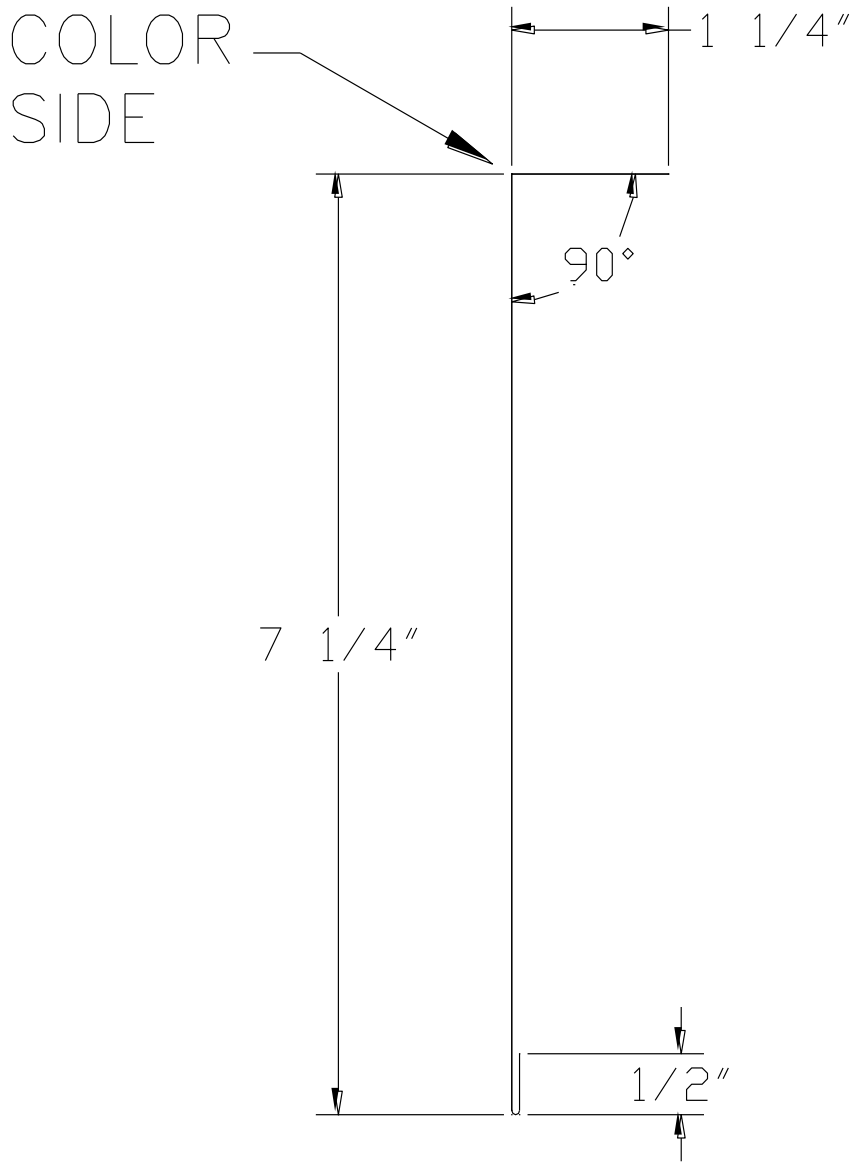


HEADER TRIM (#418)

COMMERCIAL FLASHING

GIRTH = 9"

GAUGE = 26

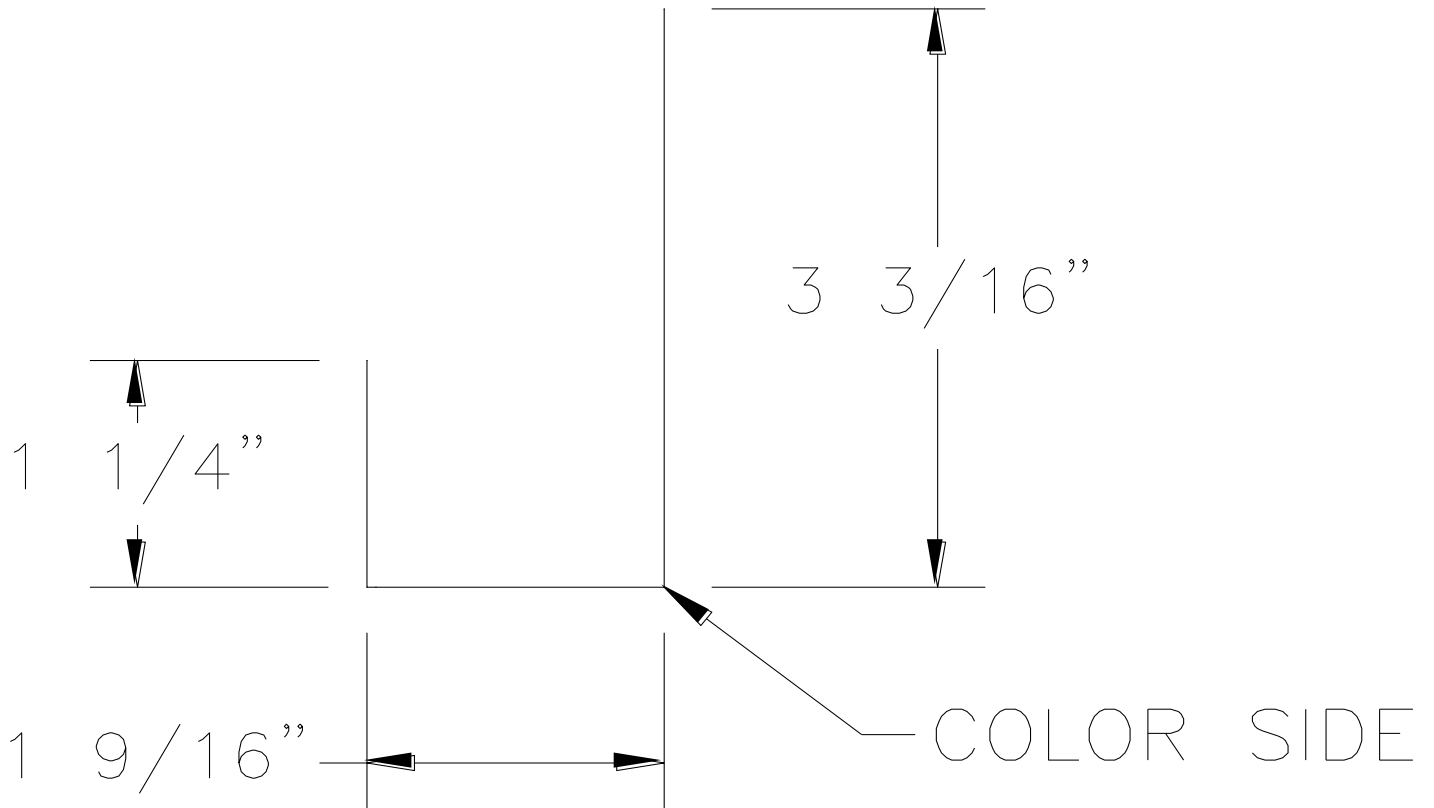


RAKE COVER (#478)

COMMERCIAL FLASHING

GIRTH = 9"

GAUGE = 26



ALL BENDS ARE 90°

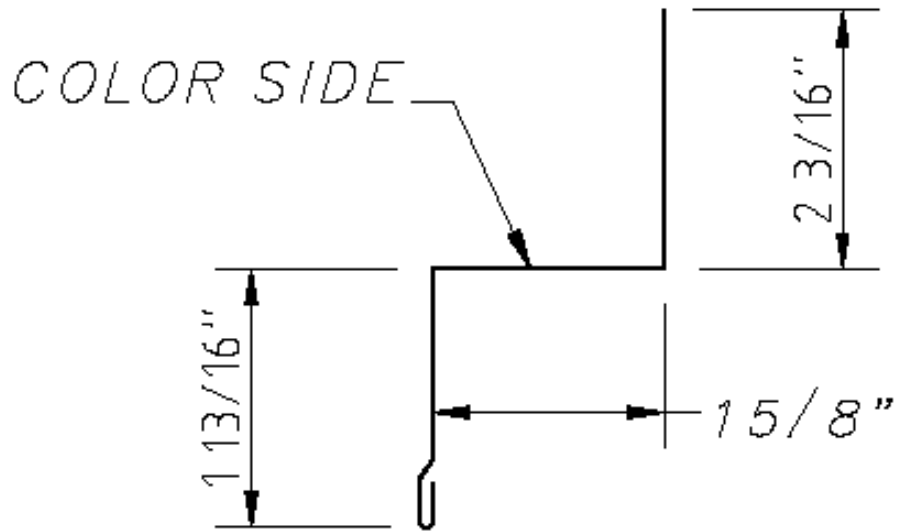
CEE CLOSURE (#518)

COMMERCIAL FLASHING

GIRTH = $6''$

GAUGE = 26

L = 4



ALL BENDS ARE 90° /

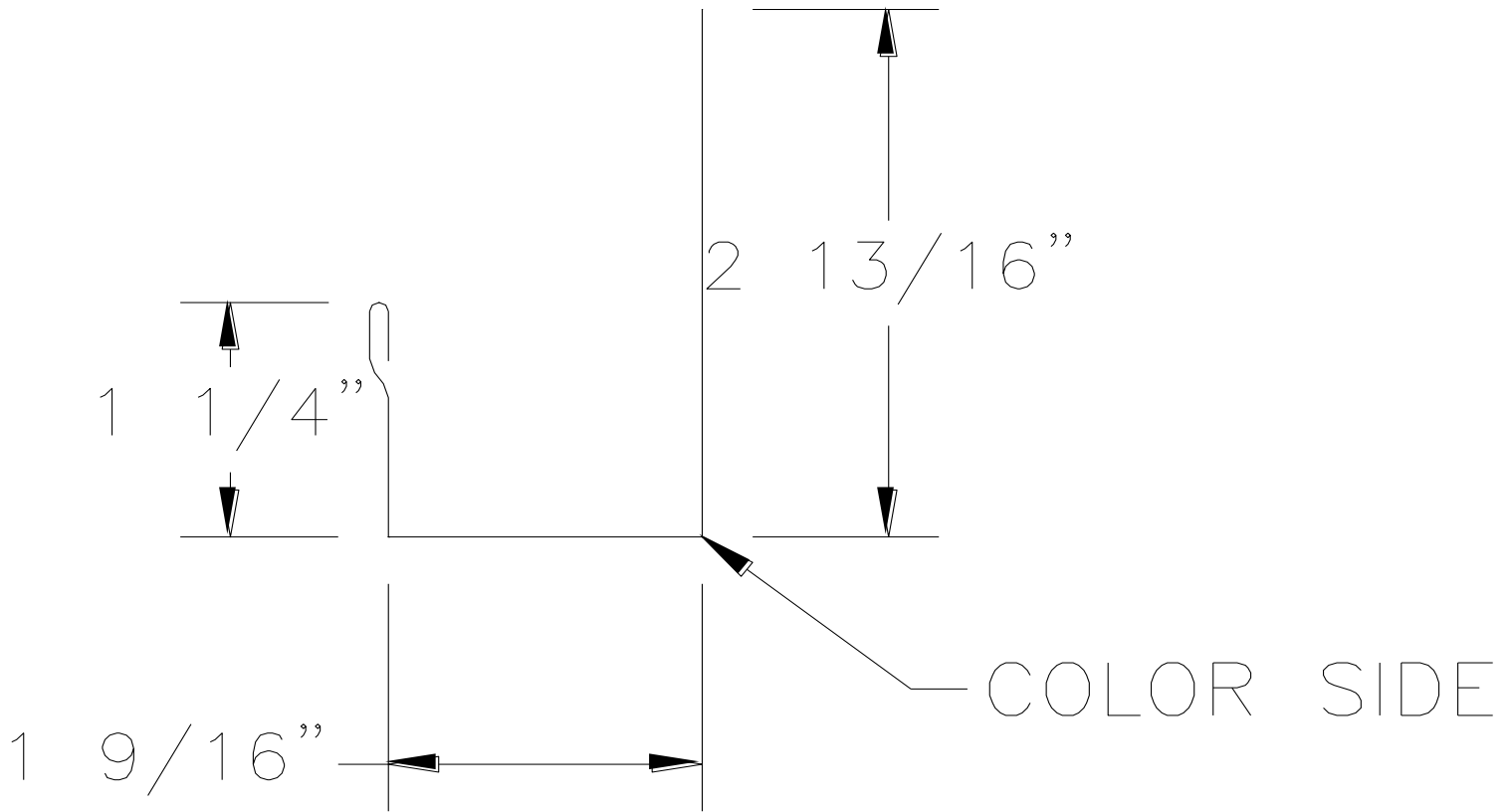
ZEE TRIM (#528)

COMMERCIAL FLASHING

GIRTH = 6"

GAUGE = 26

L = 4



ALL BENDS ARE 90°

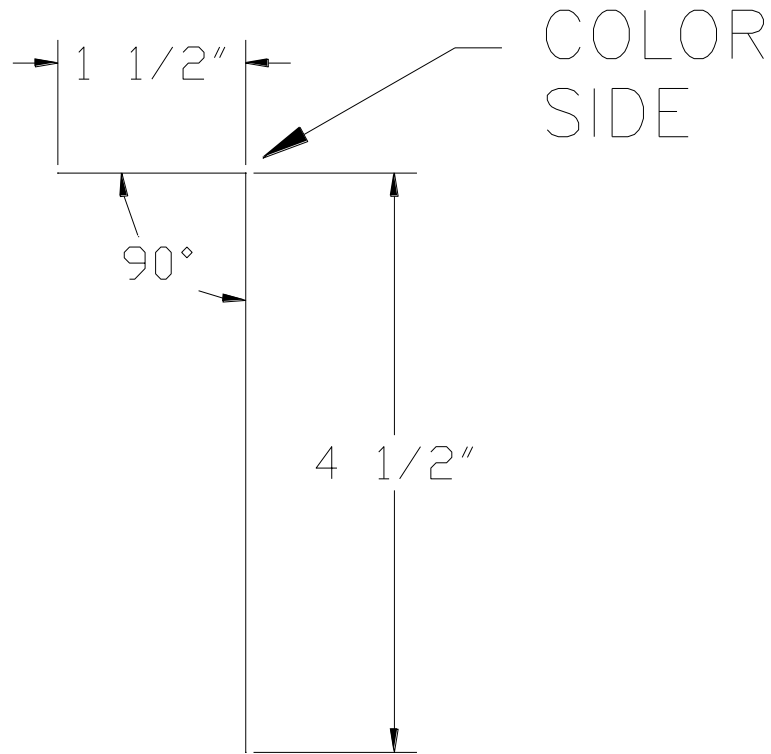
PANEL CAP (#538)

COMMERCIAL FLASHING

GIRTH = 6"

GAUGE = 26

L = 4

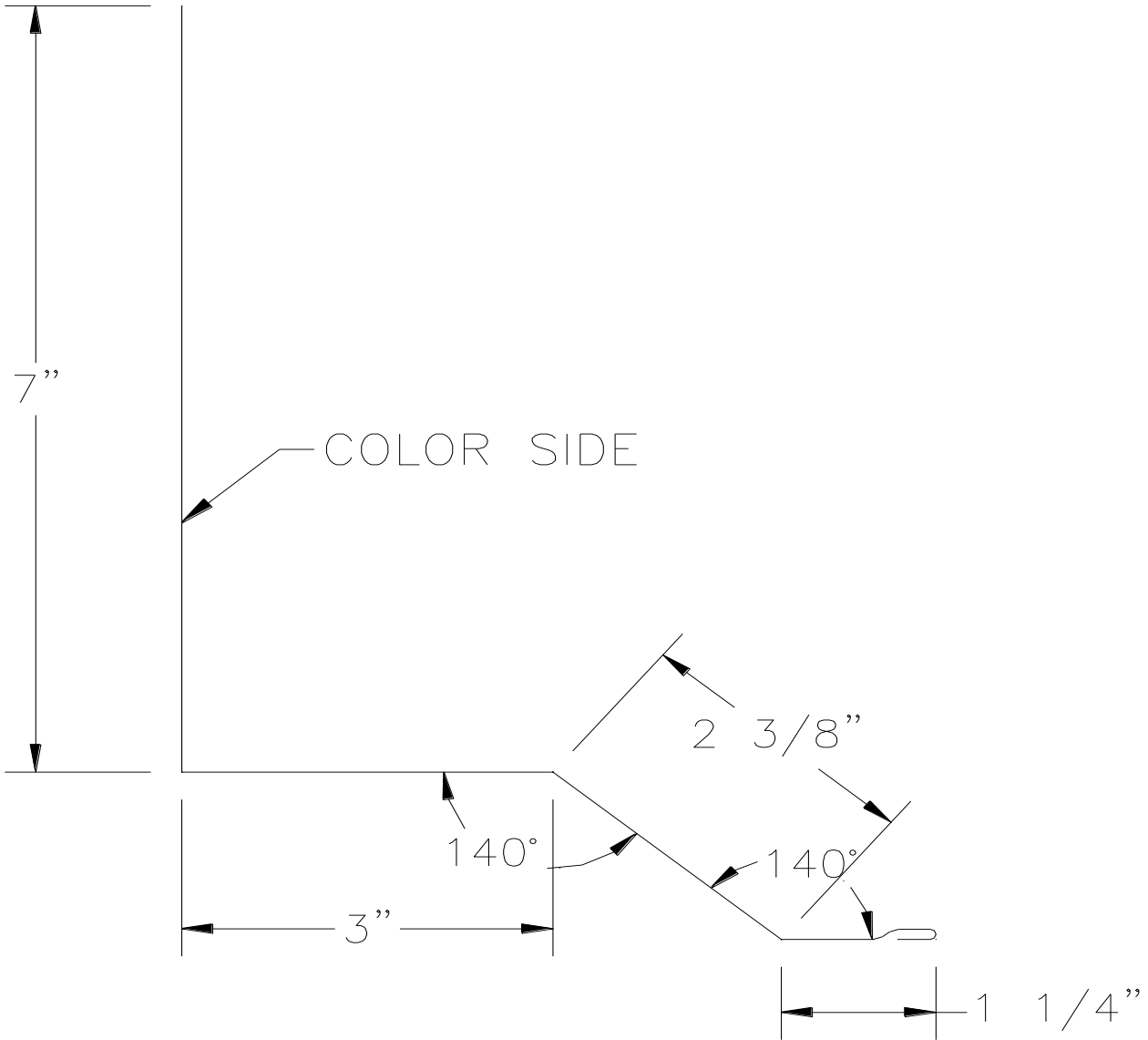


L-TRIM (#558) PANEL TERMINATION

COMMERCIAL FLASHING

GIRTH = 6"

GAUGE = 26



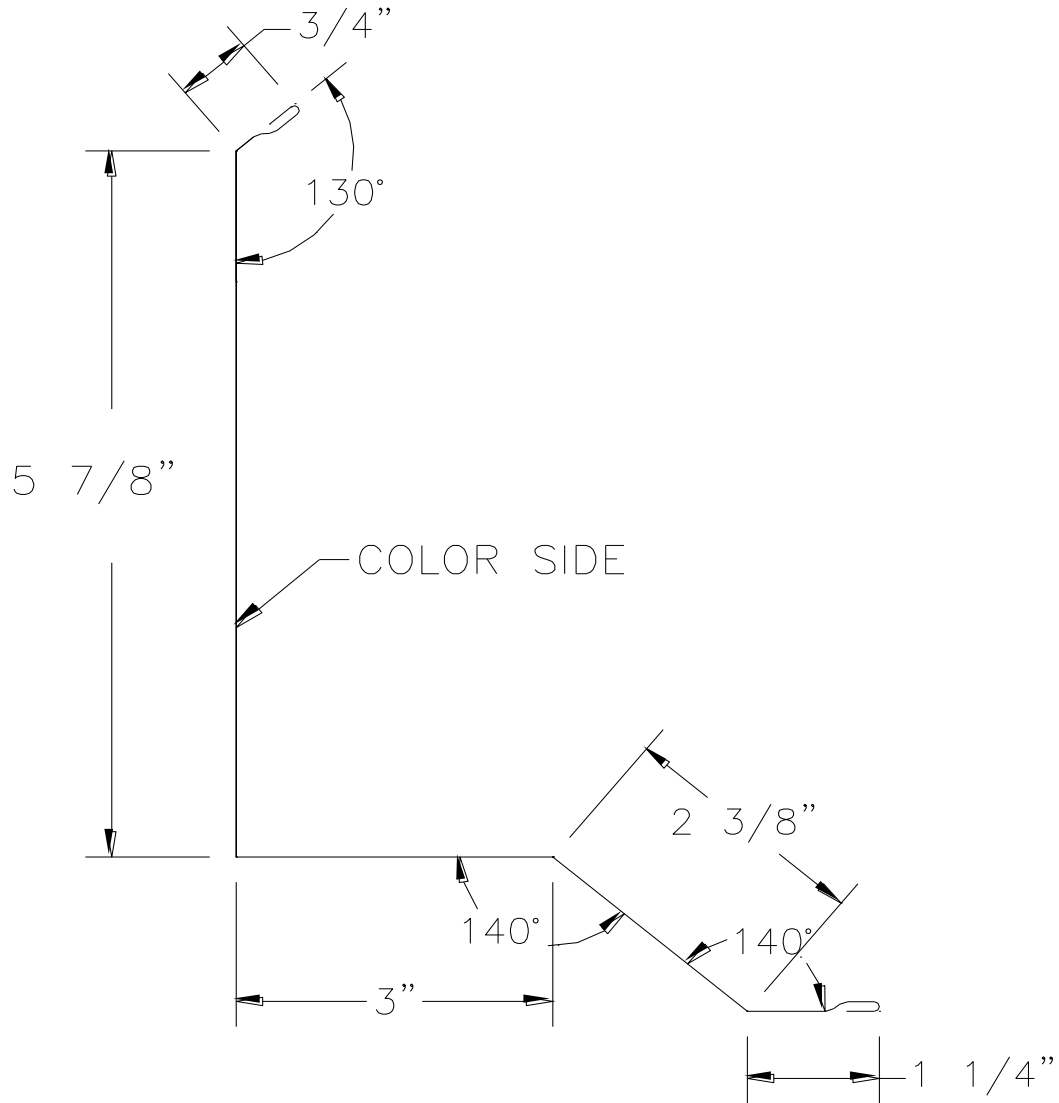
ENDWALL HEIGHT CHANGE (#628)

COMMERCIAL FLASHING

GIRTH = 14"

GAUGE = 26

L = 5



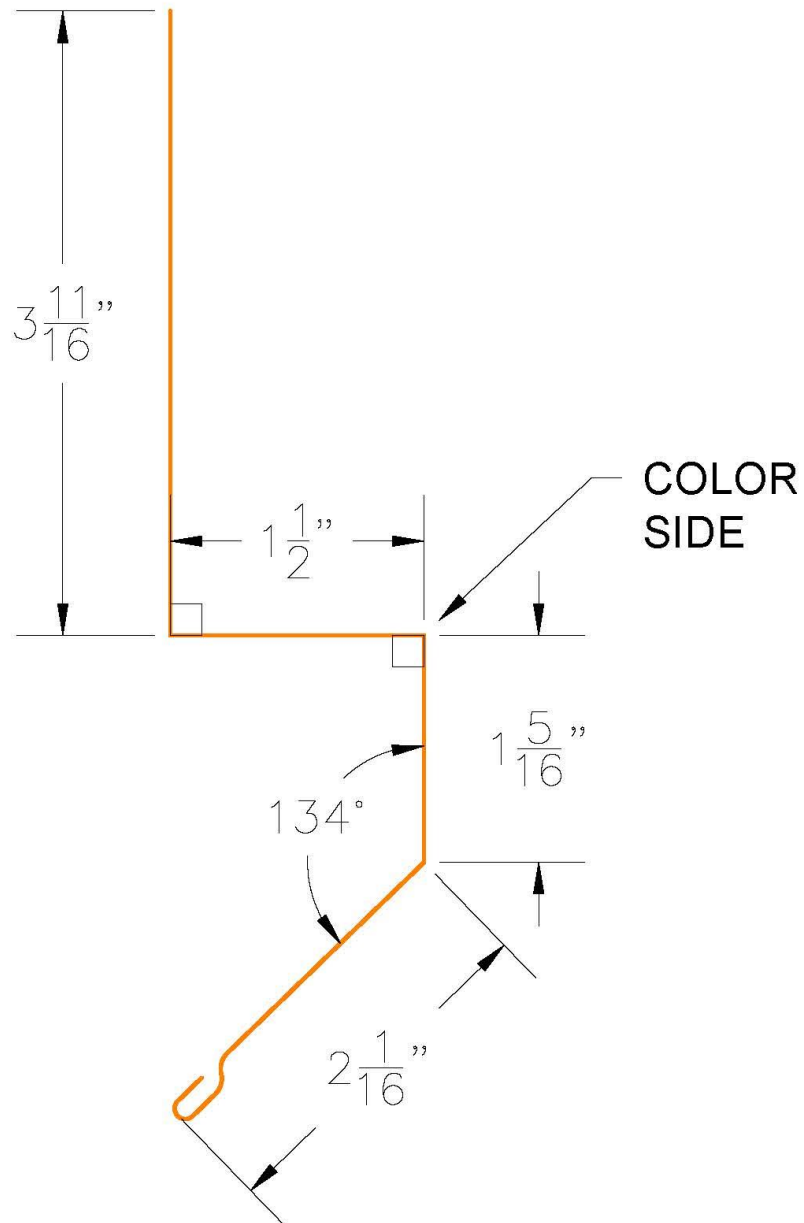
ENDWALL HEIGHT CHANGE WITH SEALANT TIP (#628ST)

COMMERCIAL FLASHING

GIRTH = 14 "

GAUGE = 26

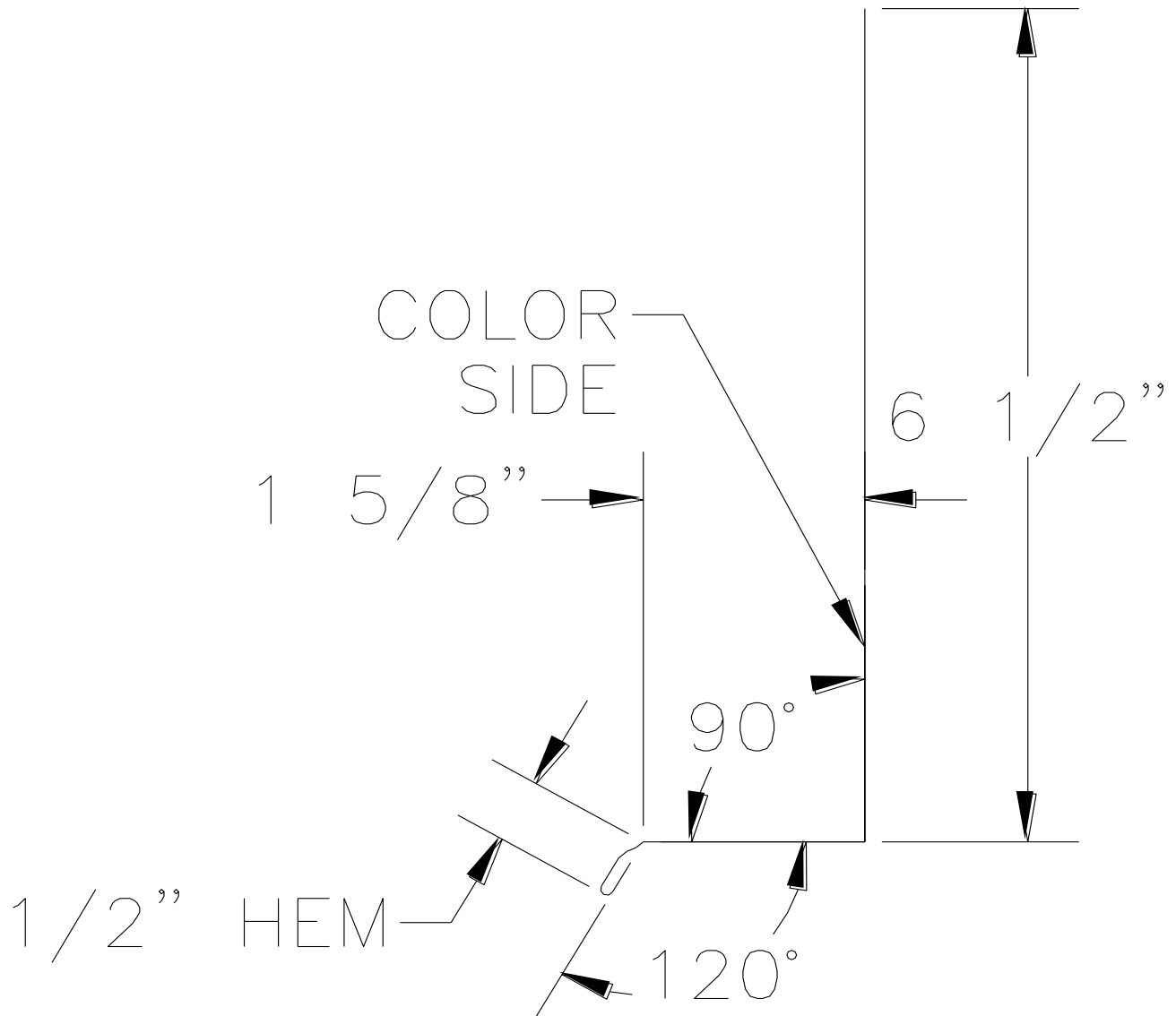
L = 5



HORIZONTAL 6.8 BASE TRIM (768)

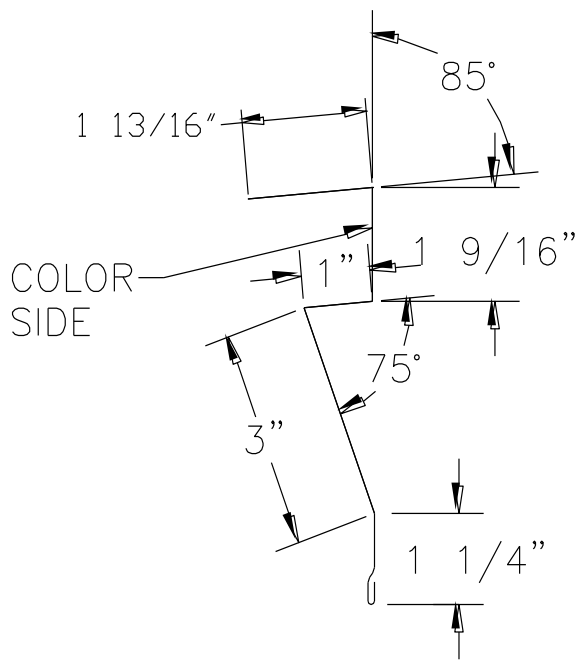
COMMERCIAL FLASHING

GIRTH = 9"
GAUGE = 26

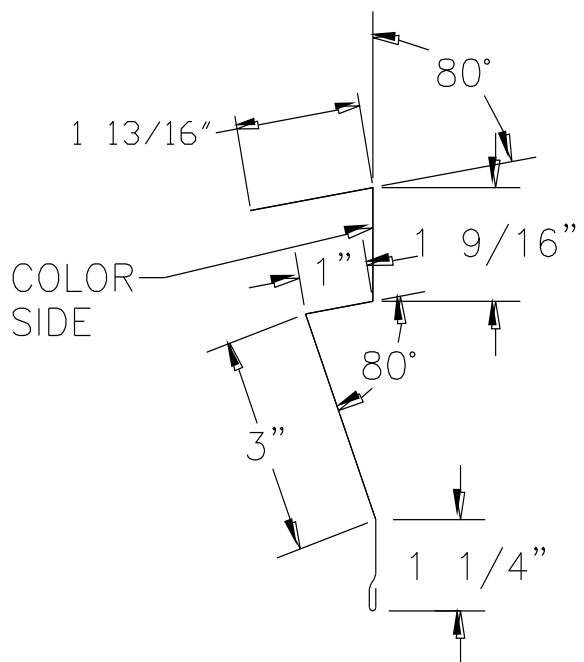


BASE TRIM (MASONARY) (#778)

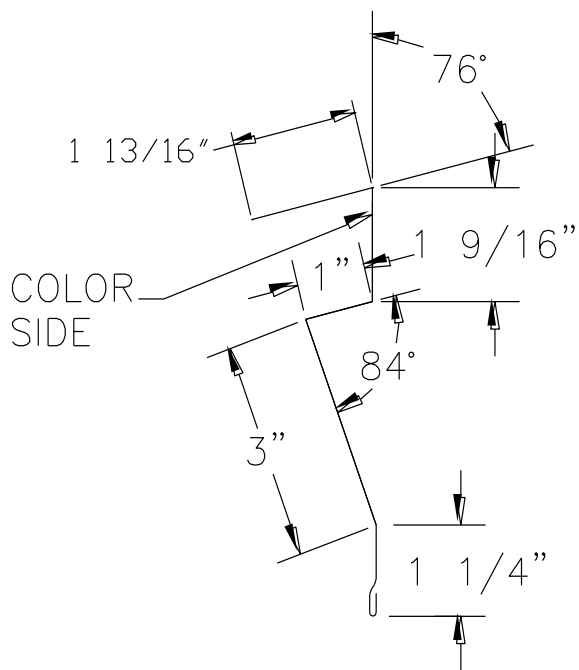
GIRTH = 9"
GAUGE = 26



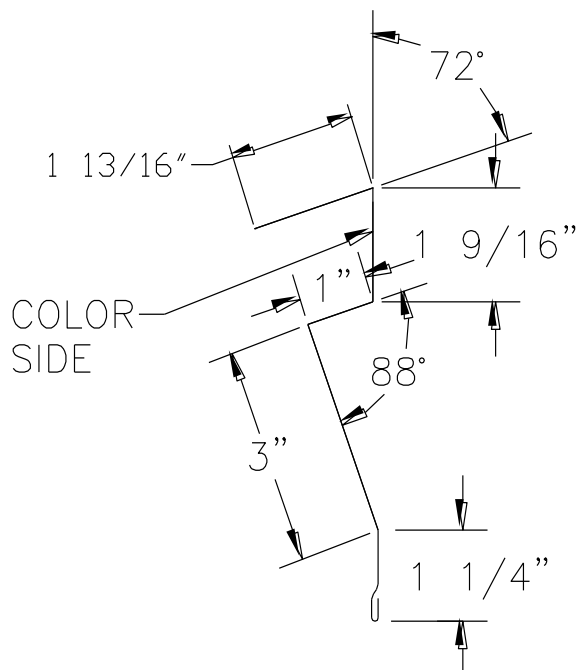
1:12 ROOF SLOPE



2:12 ROOF SLOPE



3:12 ROOF SLOPE

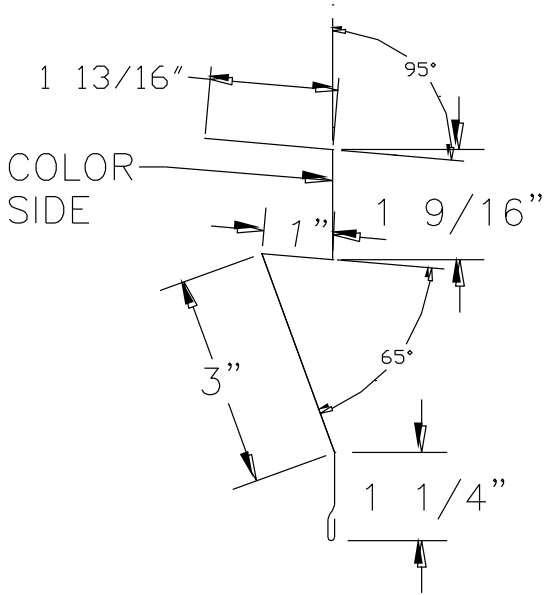


4:12 ROOF SLOPE

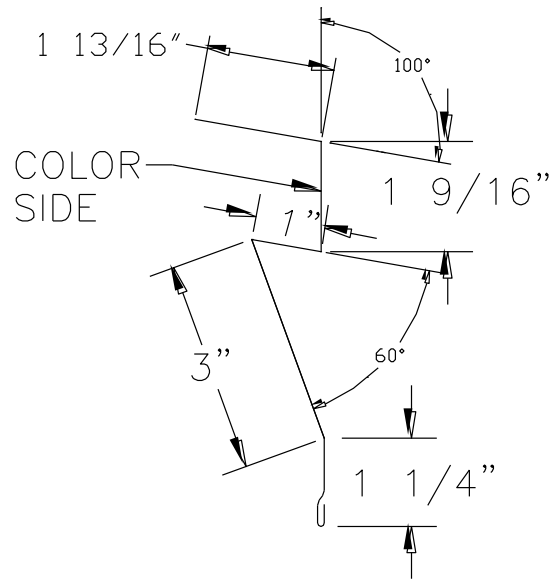
SIDEWALL SOFFIT TRIM — LOW SIDE (#928LS)

COMMERCIAL FLASHING

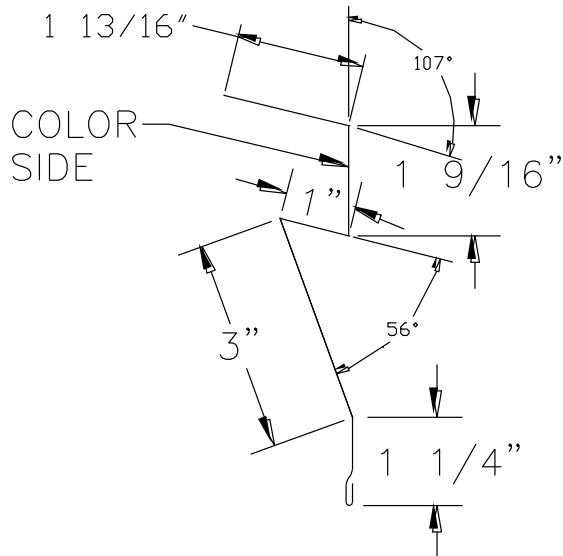
GIRTH = 9"
GAUGE = 26



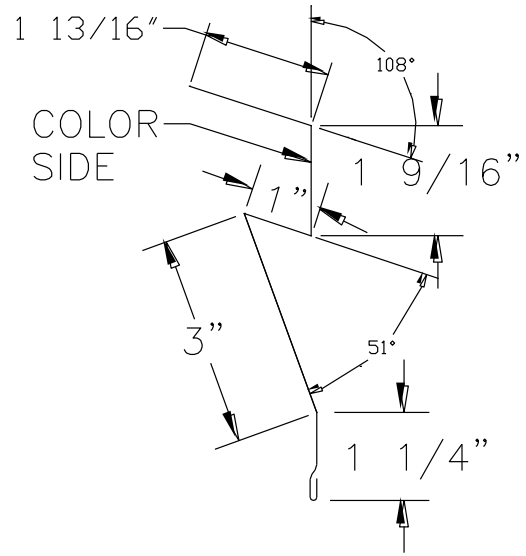
1:12 ROOF SLOPE



2:12 ROOF SLOPE



3:12 ROOF SLOPE



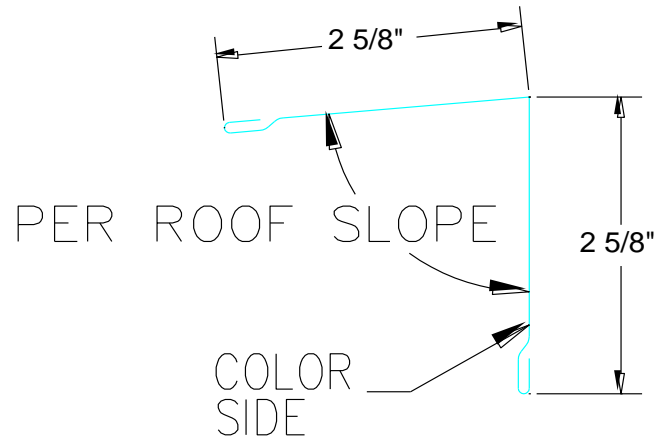
4:12 ROOF SLOPE

SIDEWALL SOFFIT TRIM – HIGH SIDE (#928HS)

COMMERCIAL FLASHING

GIRTH = 9"
GAUGE = 26

ANGLE DEGREE'S	
LOW SIDE	
ROOF SLOPE	DEGREE
1:12	95°
2:12	81°
3:12	76°
4:12	72°



#938LS

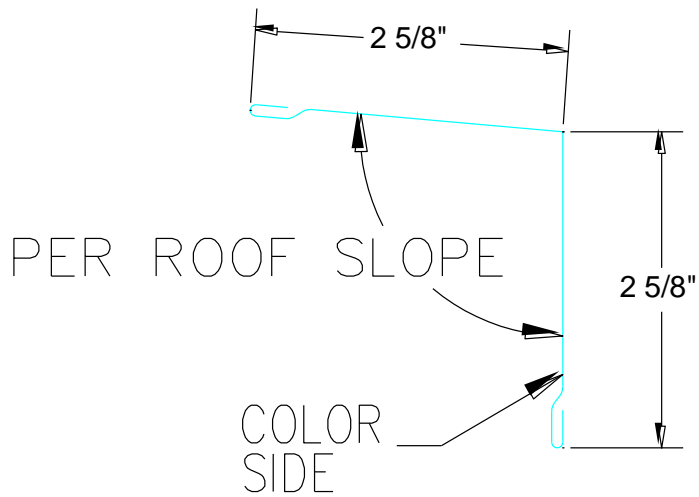
SOFFIT CAP

COMMERCIAL FLASHING

GIRTH = 6"

GAUGE = 26

ANGLE DEGREE'S	
LOW SIDE	
ROOF SLOPE	DEGREE
1:12	95°
2:12	99°
3:12	104°
4:12	108°



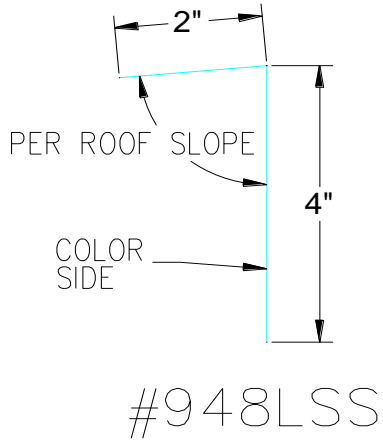
#938HS

SOFFIT CAP

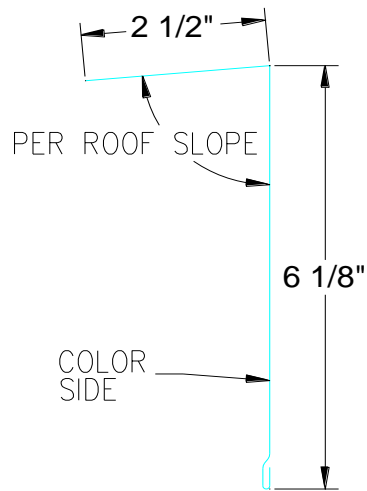
COMMERCIAL FLASHING

GIRTH = 6"
GAUGE = 26

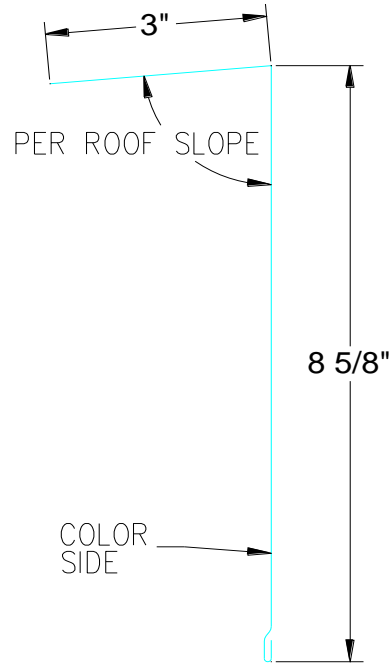
ANGLE DEGREE'S	
LOW SIDE	
ROOF SLOPE	DEGREE
1:12	95°
2:12	81°
3:12	76°
4:12	72°



COMMERCIAL FLASHING
GIRTH = 6"
GAUGE = 26



COMMERCIAL FLASHING
GIRTH = 9"
GAUGE = 26

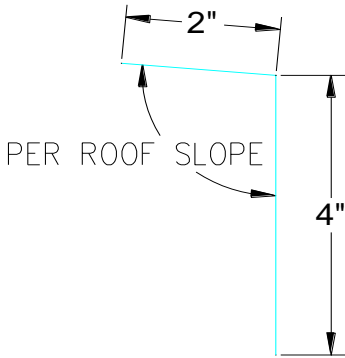


COMMERCIAL FLASHING
GIRTH = 12"
GAUGE = 26

SW SOFFIT TRIM — LOW SIDE (#948LS*)

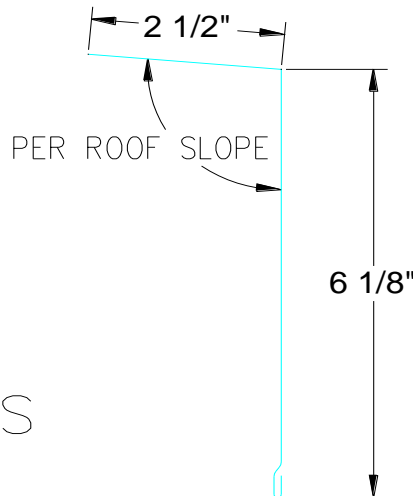
COMMERCIAL FLASHING
GIRTH = VARIES
GAUGE = 26
* = S,M,L

ANGLE DEGREE'S	
LOW SIDE	
ROOF SLOPE	DEGREE
1:12	95°
2:12	99°
3:12	104°
4:12	108°



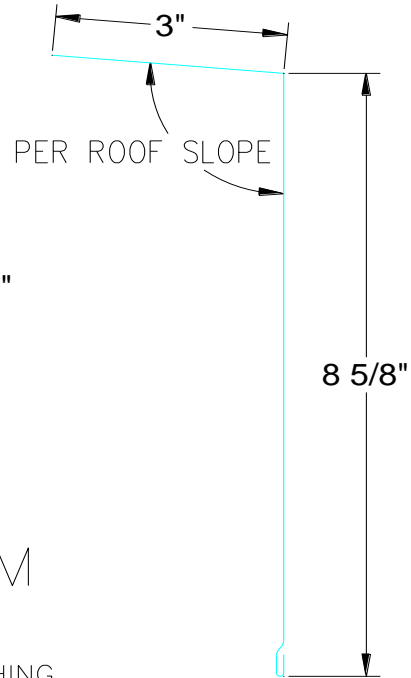
#948HSS

COMMERCIAL FLASHING
GIRTH = 6"
GAUGE = 26



#948HSM

COMMERCIAL FLASHING
GIRTH = 9"
GAUGE = 26



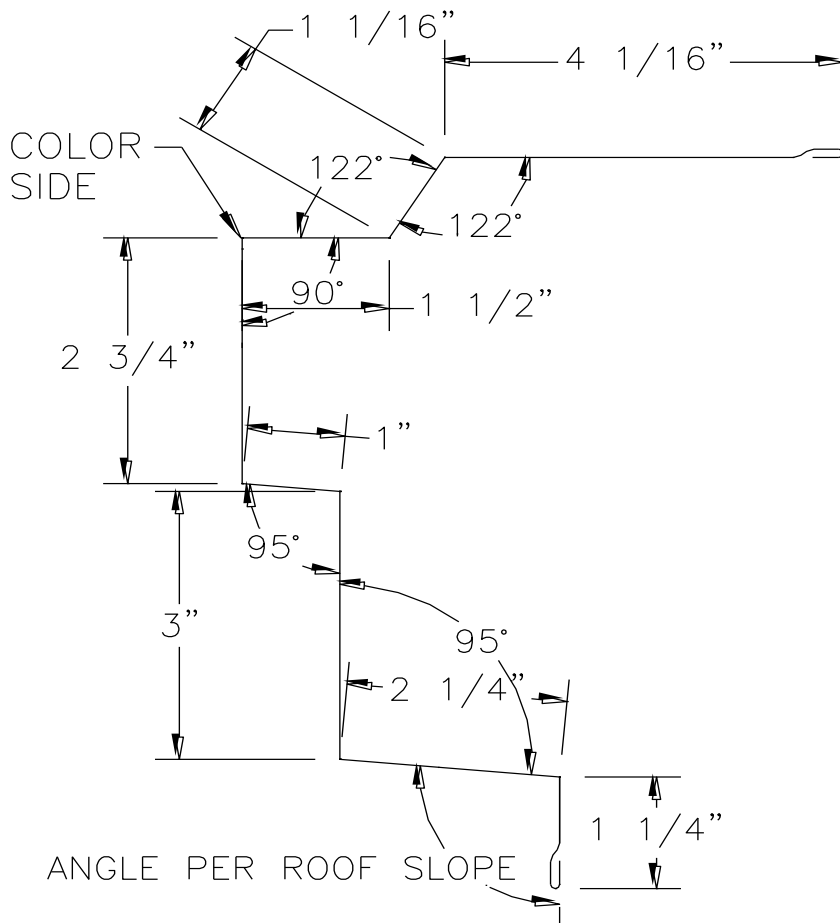
#948HSL

COMMERCIAL FLASHING
GIRTH = 12"
GAUGE = 26

SW SOFFIT TRIM — HIGH SIDE (#948HS*)

COMMERCIAL FLASHING
GIRTH = VARIES
GAUGE = 26
* = S,M,L

Roof Slope:	Degree
1:12	100°
2:12	104°
3:12	109°
4:12	113°



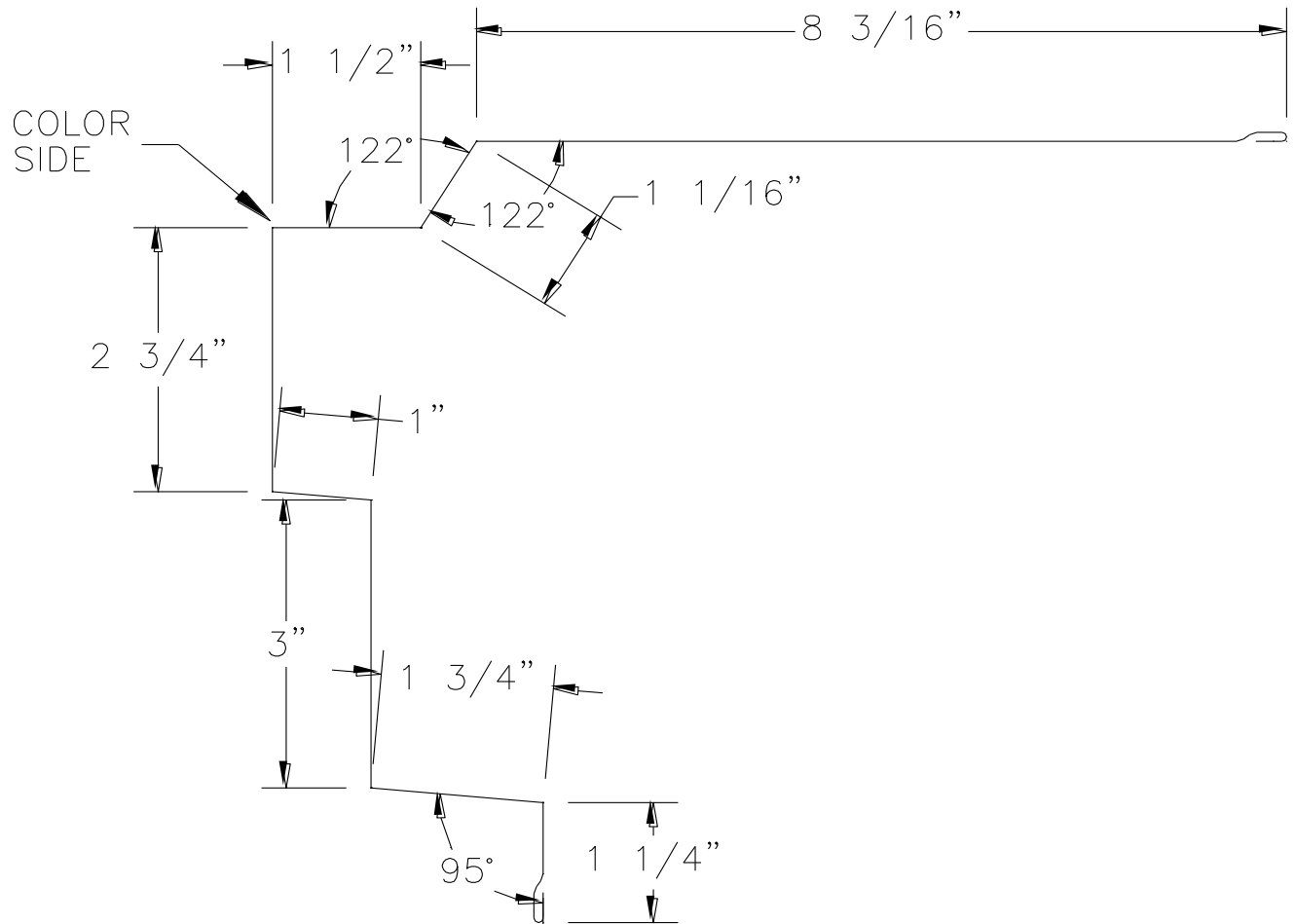
HIGH SIDE CAP (#139)

COMMERCIAL HIGH SIDE CAP

GIRTH = $17 \frac{5}{8}$ "

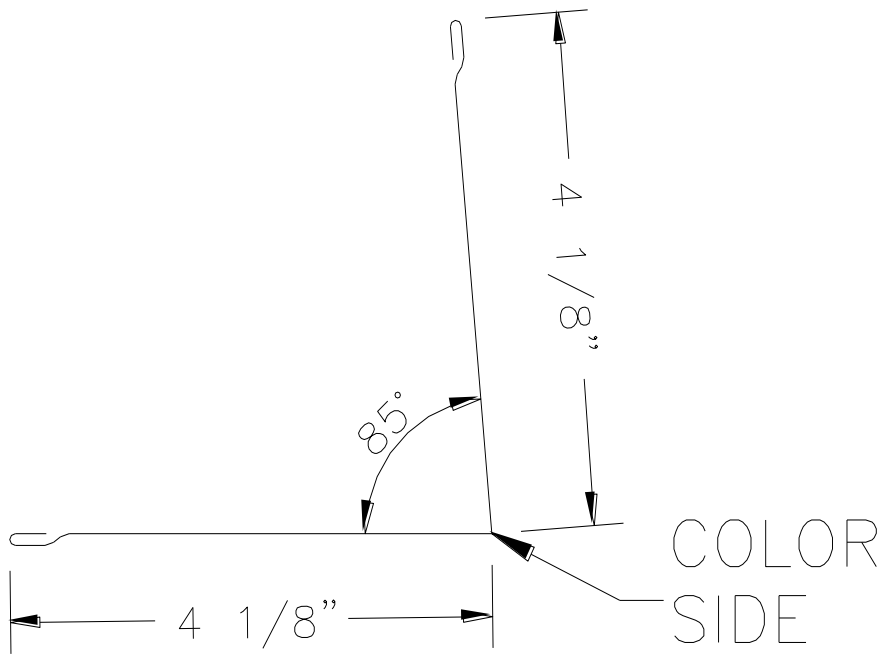
GAUGE = 26

L = 9



RAKE TRIM (#219)

COMMERCIAL FLASHING
 GIRTH = $21 \frac{1}{4}$ "
 GAUGE = 26

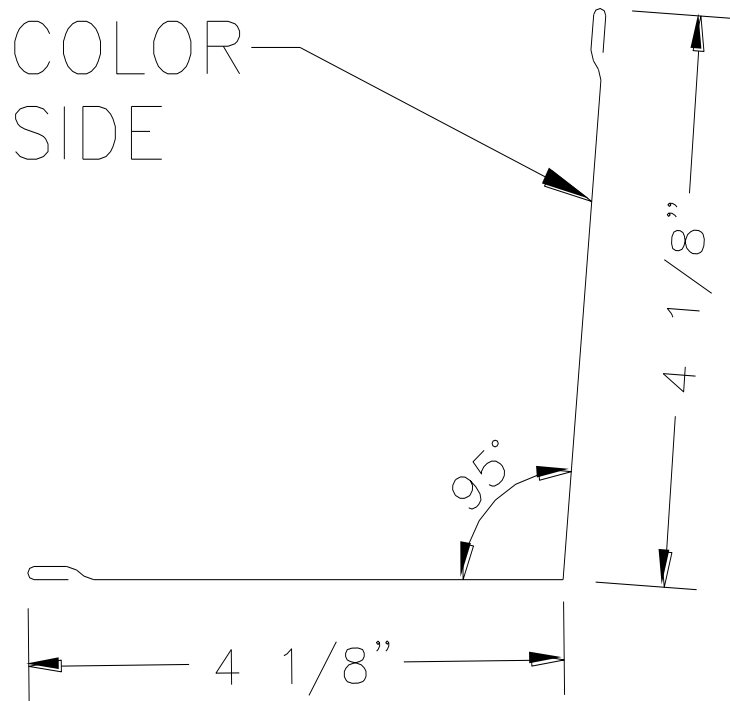


OUTSIDE CORNER (#319)

SIMPLE FLASHING

GIRTH = 9"

GAUGE = 26

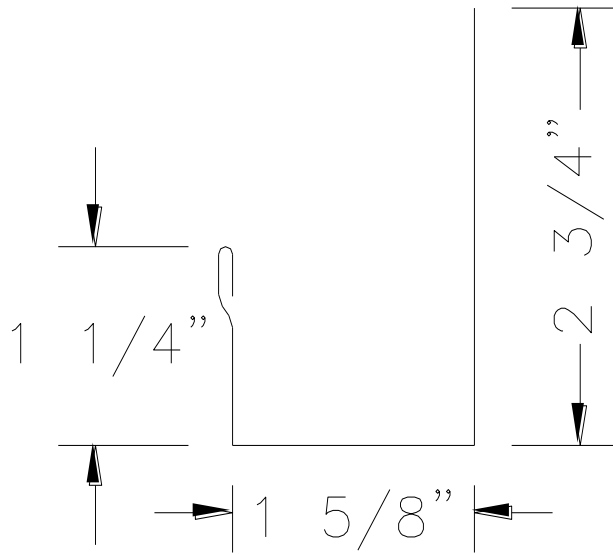


INSIDE CORNER (#329)

SIMPLE FLASHING

GIRTH = 9"

GAUGE = 26

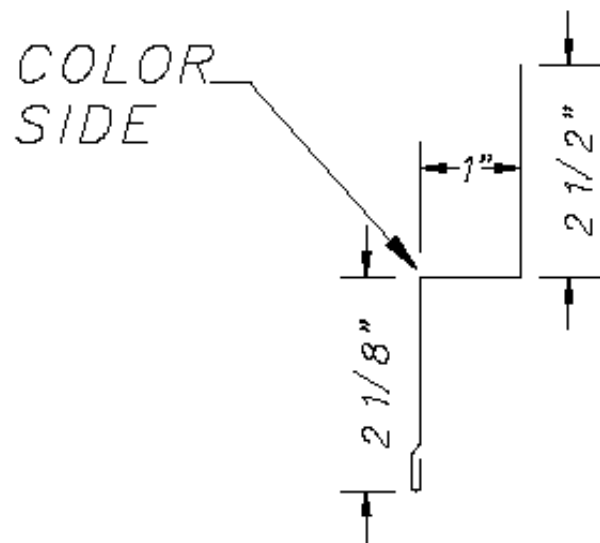


HEADER TRIM (#519)

SIMPLE FLASHING

GIRTH = 6"

GAUGE = 26

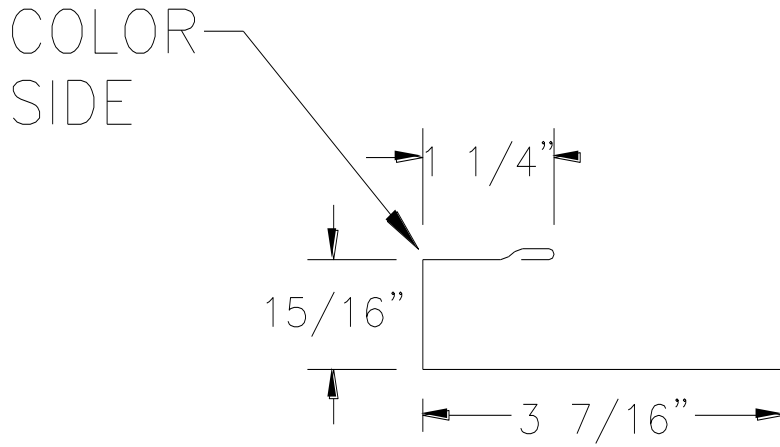


ZEE TRIM (#529)

SIMPLE FLASHING

GIRTH = 6"

GAUGE = 26

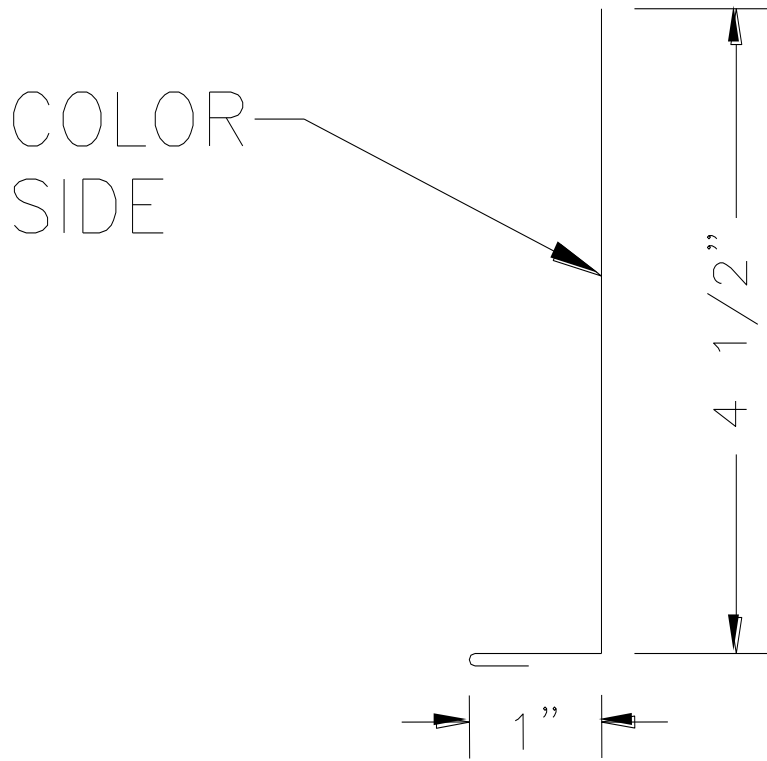


PANEL CAP/SILL/JAMB TRIM (#539)

SIMPLE FLASHING

GIRTH = 6"

GAUGE = 26

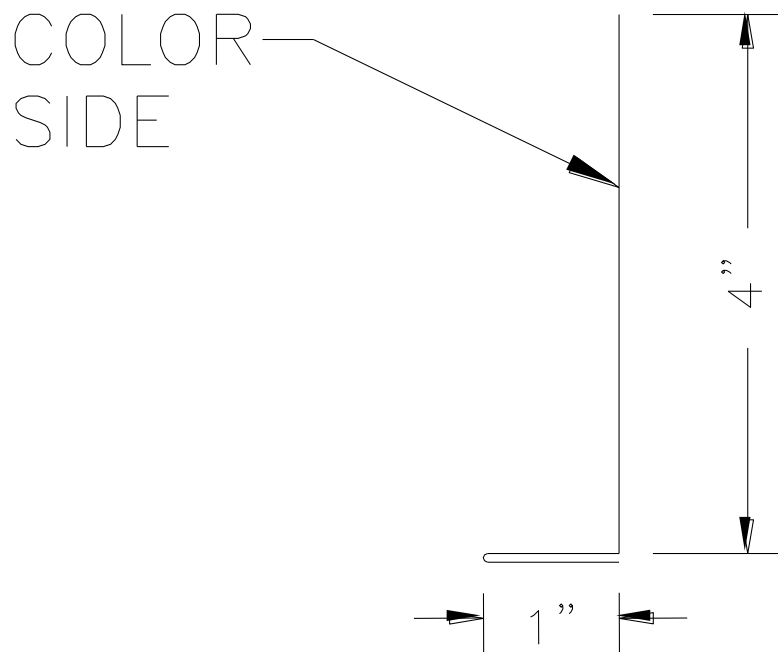


BASE TRIM (#759)

SIMPLE FLASHING

GIRTH = 6"

GAUGE = 26



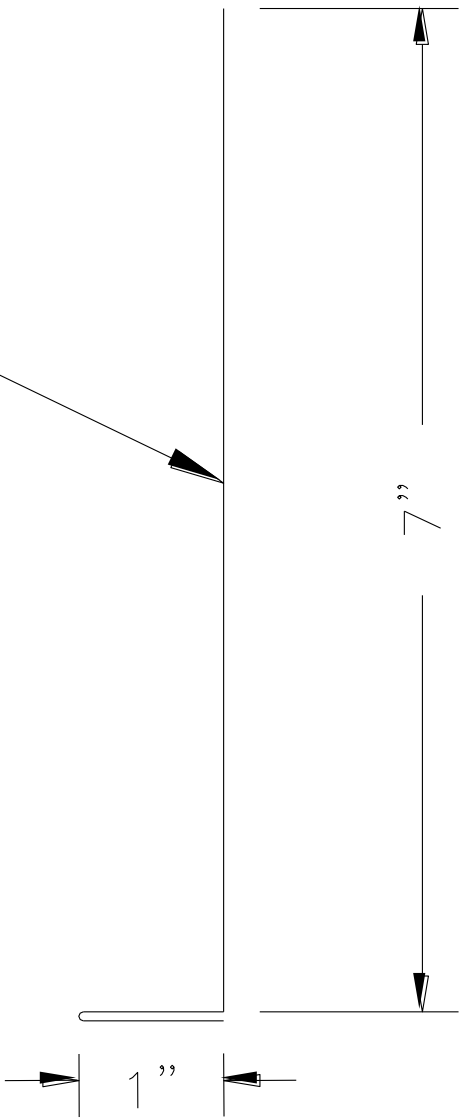
BASE TRIM (#769)

SIMPLE FLASHING

GIRTH = 6"

GAUGE = 26

COLOR
SIDE

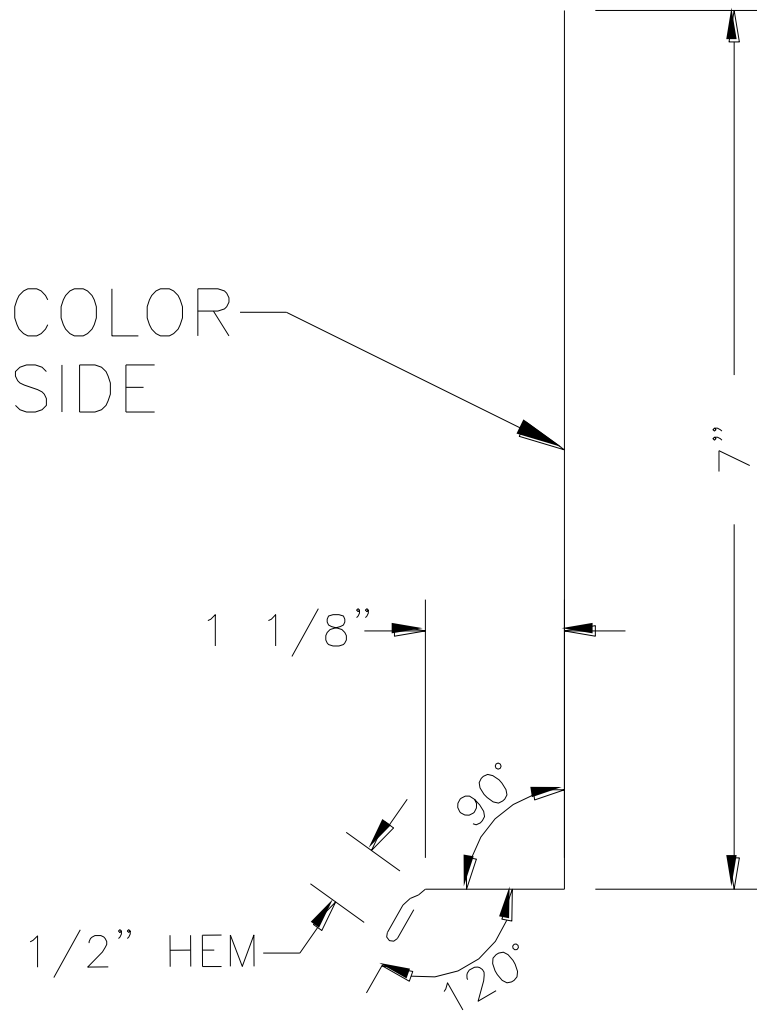


BASE TRIM (#769L)

SIMPLE FLASHING

GIRTH = 9"

GAUGE = 26

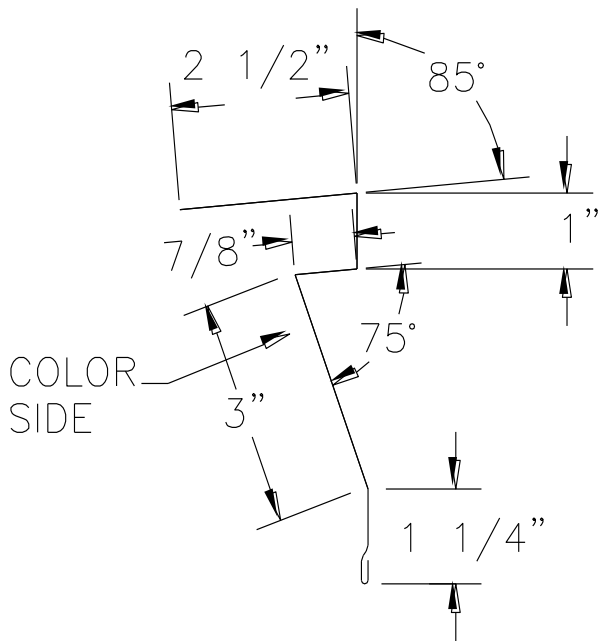


BASE TRIM (MASONRY) (#779)

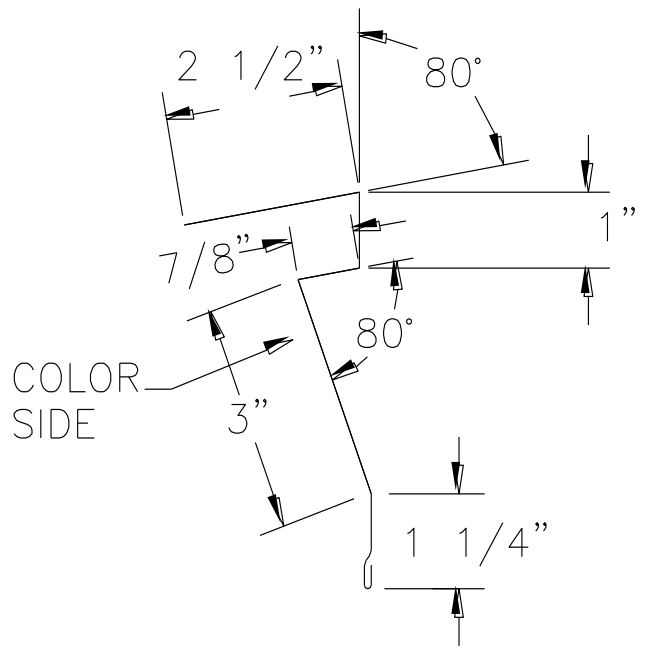
SIMPLE FLASHING

GIRTH = 9"

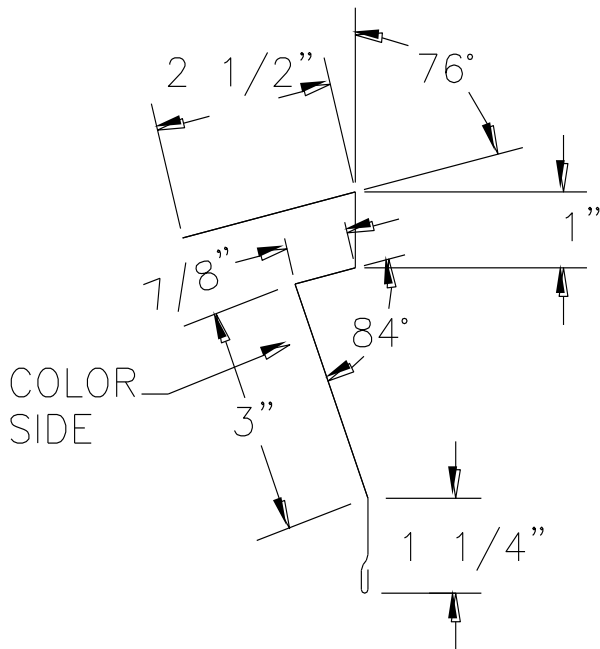
GAUGE = 26



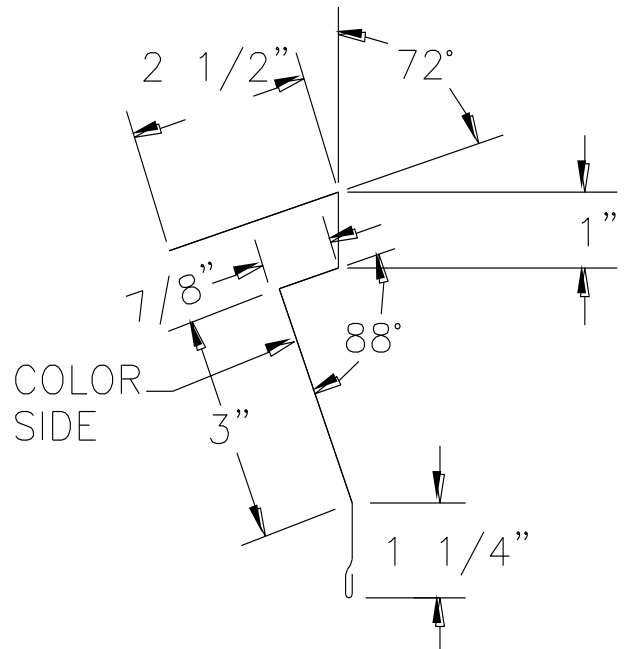
1:12 ROOF SLOPE



2:12 ROOF SLOPE



3:12 ROOF SLOPE

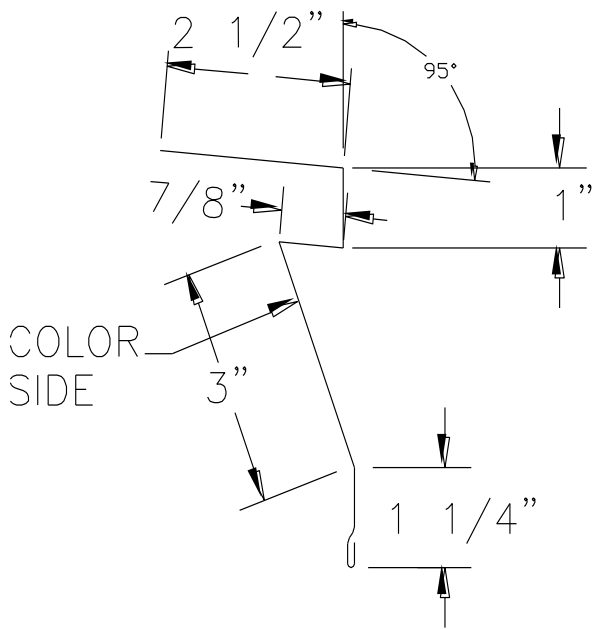


4:12 ROOF SLOPE

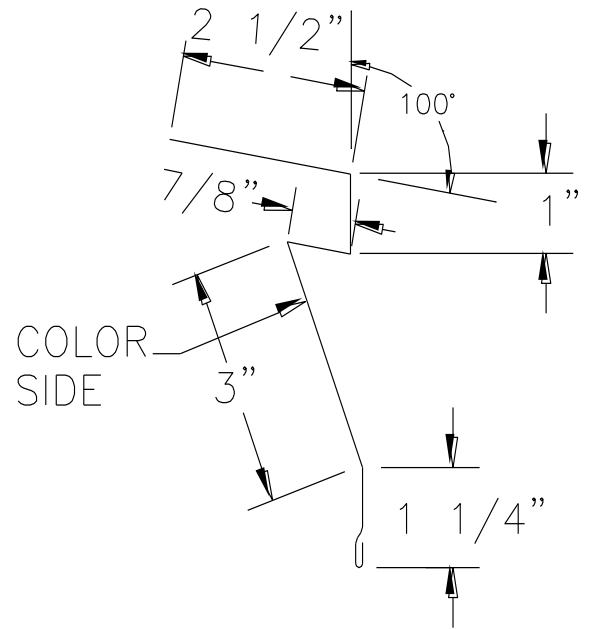
SIDEWALL SOFFIT TRIM — LOW SIDE (#929LS)

COMMERCIAL FLASHING

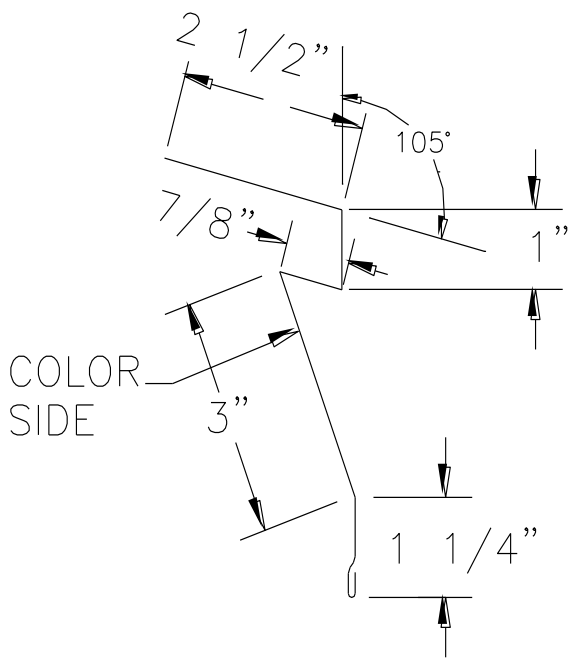
GIRTH = 9"
GAUGE = 26



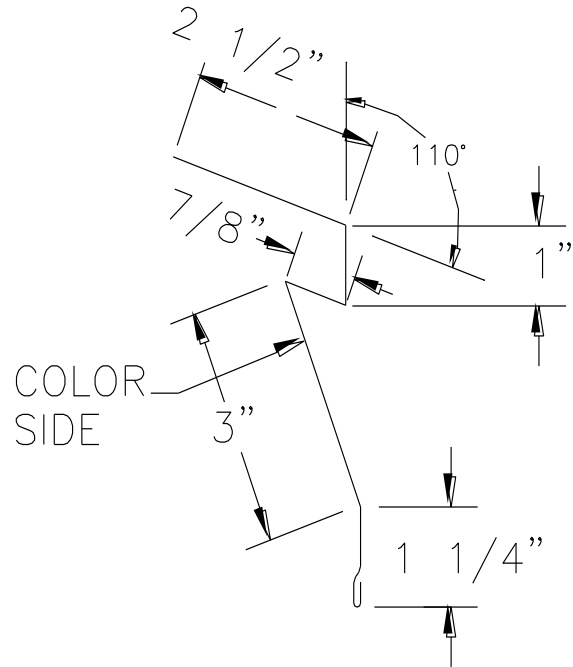
1:12 ROOF SLOPE



2:12 ROOF SLOPE



3:12 ROOF SLOPE



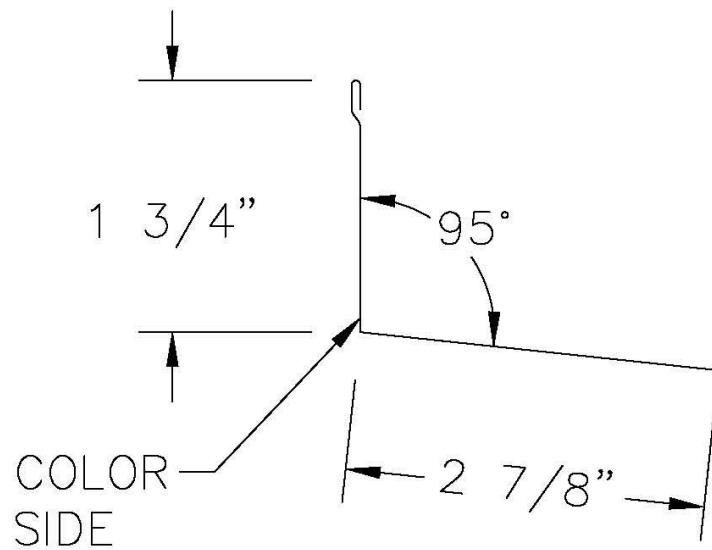
4:12 ROOF SLOPE

SIDEWALL SOFFIT TRIM — HIGH SIDE (#929HS)

COMMERCIAL FLASHING

GIRTH = 9"

GAUGE = 26

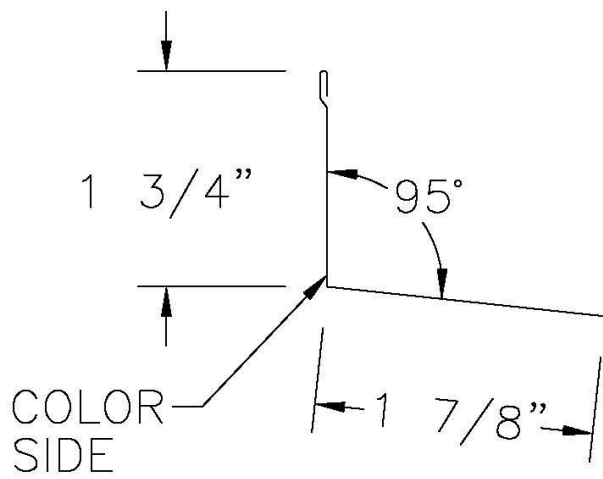


BASE TRIM — 3" INSULATED PANEL #774

COMMERCIAL FLASHING

GIRTH = 6"

GAUGE = 26

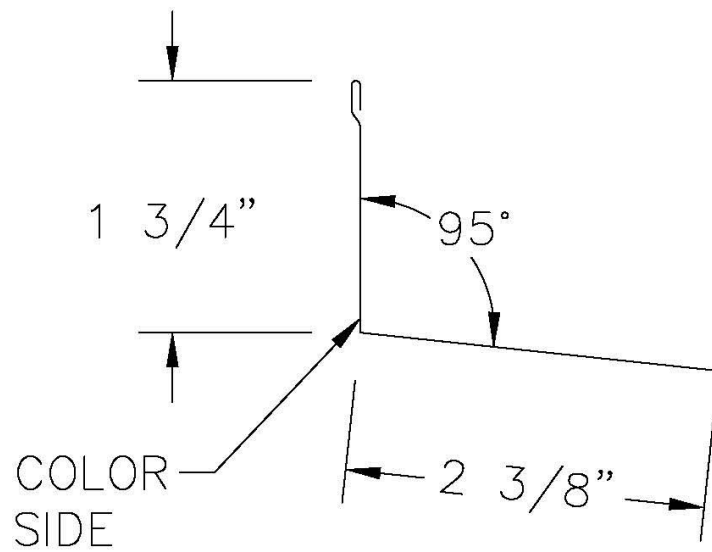


BASE TRIM— 2" INSULTAED PANEL #754

COMMERCIAL FLASHING

GIRTH = 6"

GAUGE = 26

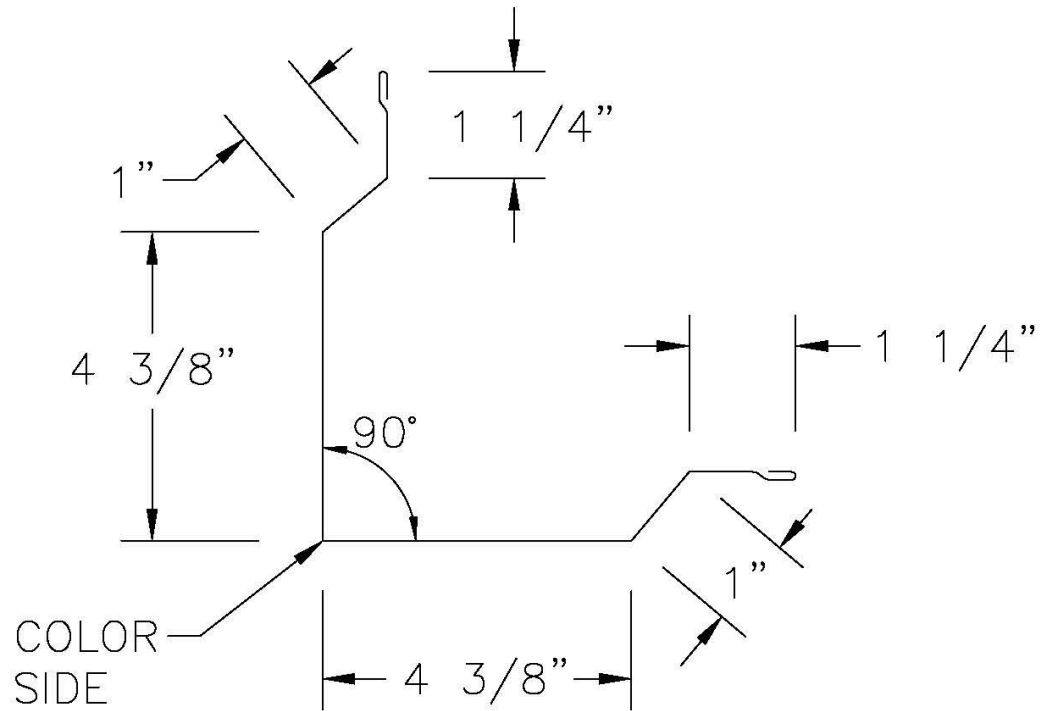


BASE TRIM — 3" INSULATED PANEL #764

COMMERCIAL FLASHING

GIRTH = 6"

GAUGE = 26

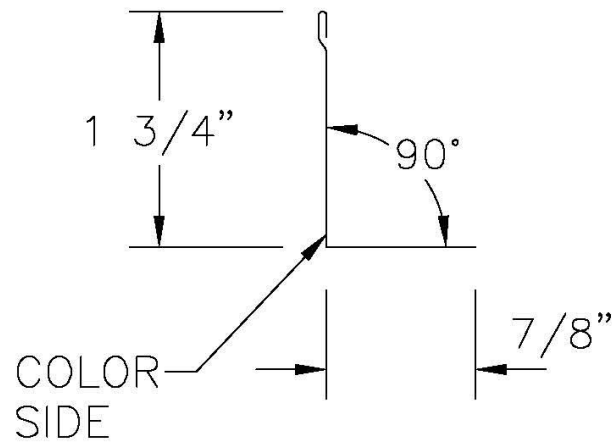


CORNER TRIM — 1" INSULATED PANEL #314

COMMERCIAL FLASHING

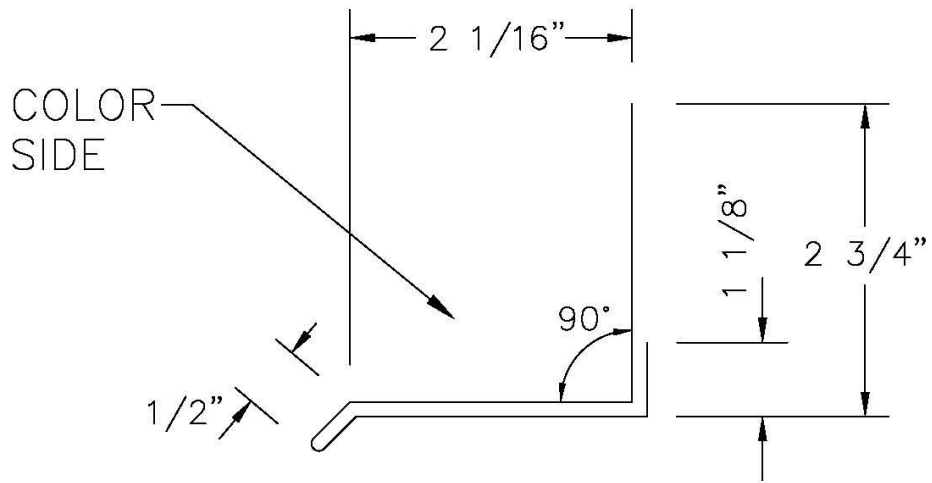
GIRTH = 14"

GAUGE = 26



HEADER TRIM — 1" INSULATED PANEL #514

COMMERCIAL FLASHING
GIRTH = 6"
GAUGE = 26

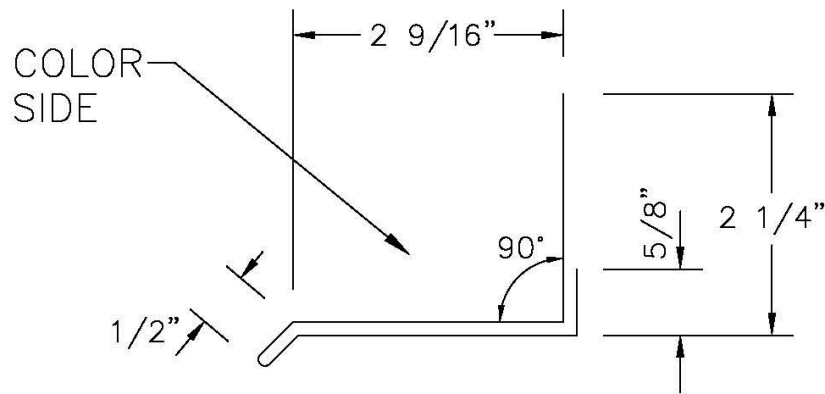


HEADER TRIM — 2" INSULATED PANEL #524

COMMERCIAL FLASHING

GIRTH = 9"

GAUGE = 26

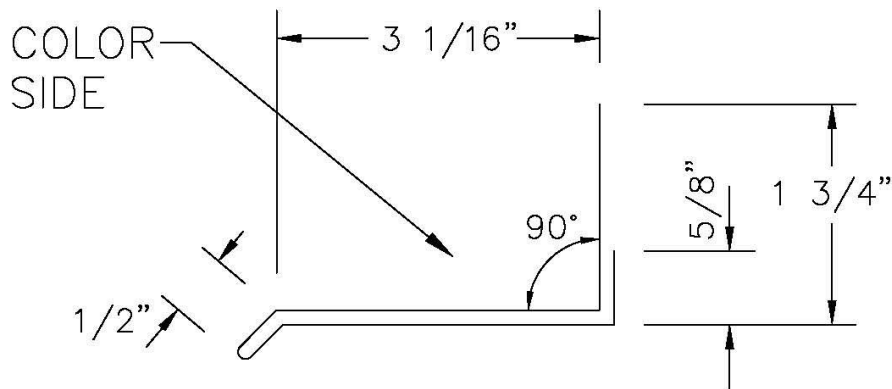


HEADER TRIM – $2 \frac{1}{2}$ " INSULATED PANEL #534

COMMERCIAL FLASHING

GIRTH = 9"

GAUGE = 26

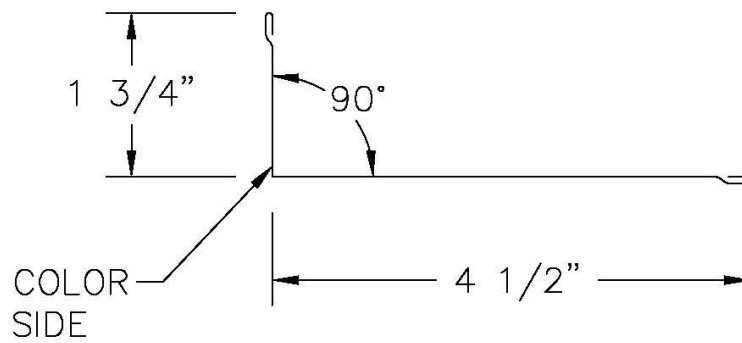


HEADER TRIM — 3" INSULATED PANEL #544

COMMERCIAL FLASHING

GIRTH = 12"

GAUGE = 26

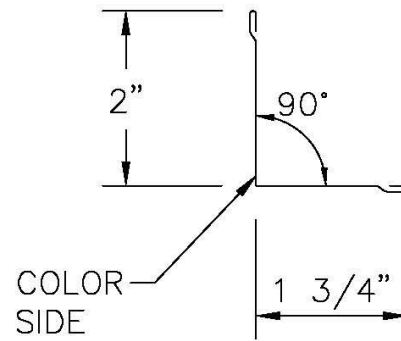


JAMB TRIM — 1" INSULATED PANEL #414

COMMERCIAL FLASHING

GIRTH = 9"

GAUGE = 26

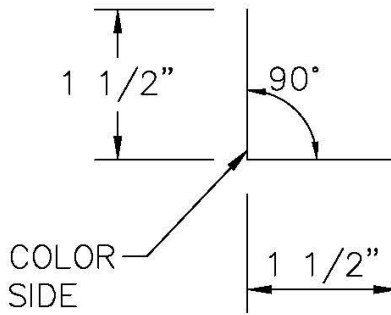


PANEL CAP — 1" A STYLE INSULATED PANEL
614

COMMERCIAL FLASHING

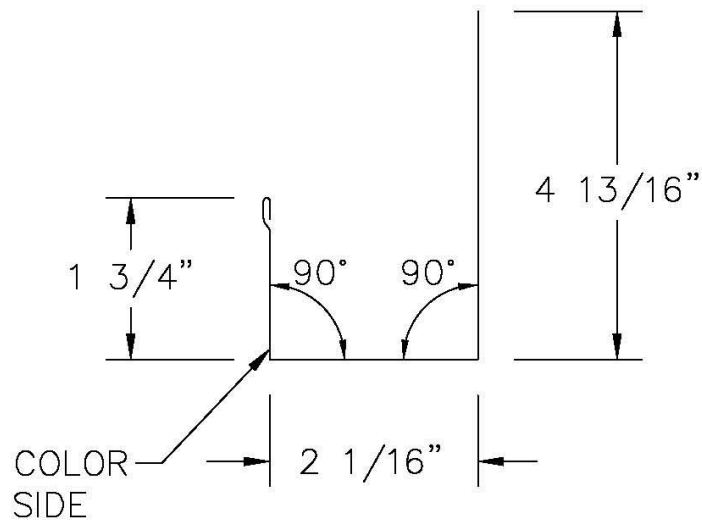
GIRTH = 6"

GAUGE = 26



PANEL CAP — 1" B STYLE INSULATED PANEL
624

COMMERCIAL FLASHING
GIRTH = 6"(2 PARTS PER 1)
GAUGE = 26

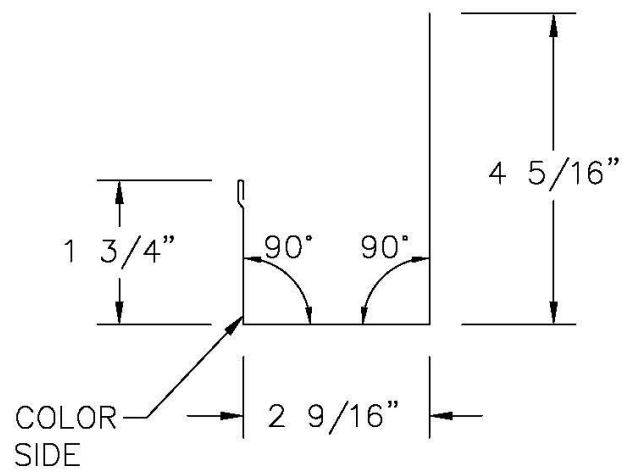


PANEL CAP — 2" INSULATED PANEL #634

COMMERCIAL FLASHING

GIRTH = 9"

GAUGE = 26

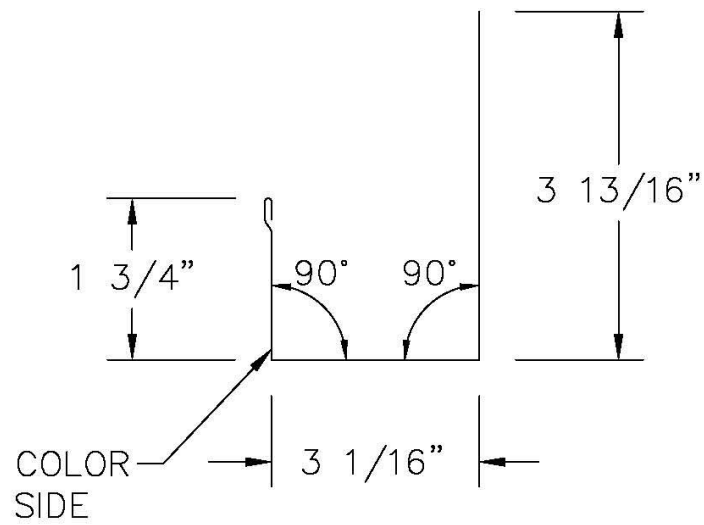


PANEL CAP - 2 1/2" INSULATED PANEL #644

COMMERCIAL FLASHING

GIRTH = 9"

GAUGE = 26

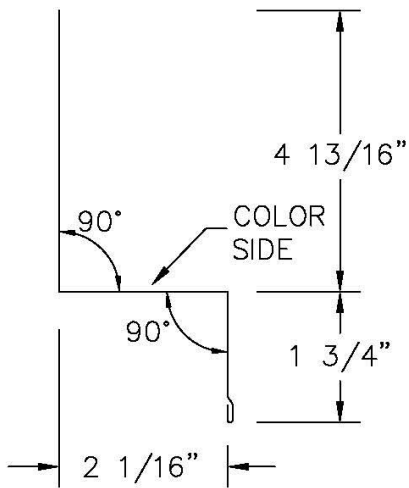


PANEL CAP — 3" INSULATED PANEL #654

COMMERCIAL FLASHING

GIRTH = 9"

GAUGE = 26

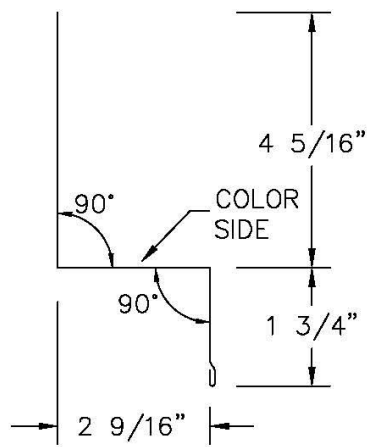


STACK JOINT Z-TRIM — 2" INSULATED PANEL #724

COMMERCIAL FLASHING

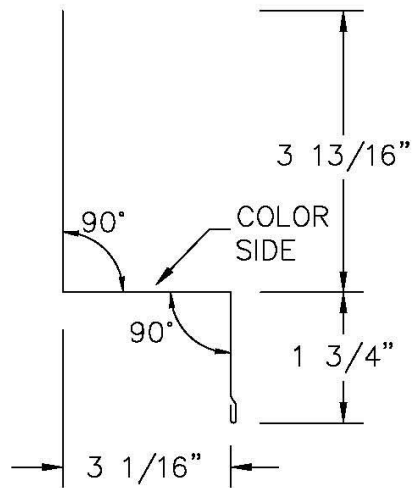
GIRTH = 9"

GAUGE = 26



STACK JOINT Z-TRIM – 2 1/2" INSULATED PANEL #734

COMMERCIAL FLASHING
GIRTH = 9"
GAUGE = 26



STACK JOINT Z-TRIM — 3" INSULATED PANEL #744

COMMERCIAL FLASHING
GIRTH = 9"
GAUGE = 26

